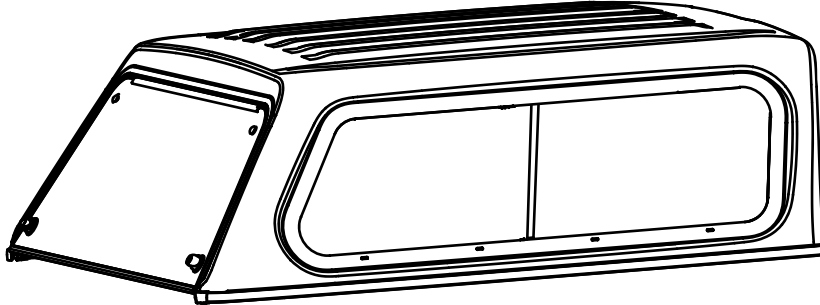


# Tradesman Canopy

## NISSAN NAVARA D23

### Installation Instructions



Installation Time: Approx. 90 mins

#### Important



- Do not tighten any bolts, screws and nuts that are used in window frames, locks and glass assemblies. This may cause water leaks along window frames and glass windows to shatter.
- Read instructions carefully before installation.
- It is strongly recommended that installation is conducted by an authorized dealer.
- This product must be installed exactly as specified in these instructions. Failure to do so may result in improper fit and/or retention/failure of components.

#### PERSONAL PROTECTIVE EQUIPMENT:



Mask



Rubber Gloves



Goggles



Hearing Protection

#### Care Instructions:



Clean canopy with a mild detergent and water solution.



Do not use abrasive cleaners or solvents.

#### Tools Required

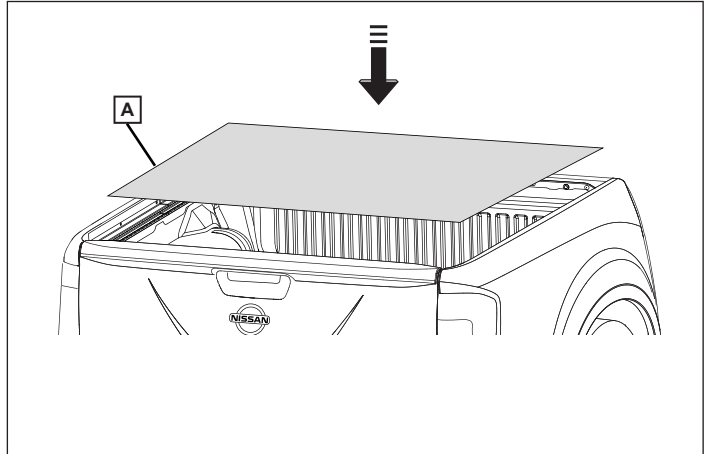
- Marker
- Drill 5.5mm
- Allen keys
- Torque Wrench (calibrated to  $\pm 3\%$ )
- Caulking Gun
- Silicone - Non Acetic
- Scissors & Knife
- 12mm&13mm Spanner & Socket
- Rivet Gun
- Thread locker

## Kit Contents

No.	Item Description	Qty	Image
1	Canopy	1	
2	Header Bar	1	
3	Rust Inhibitor MISC0052	1	
4	Rail Clamps CNPY0007	6	
5	M8x25 Hex Head Bolt SCRW0696	2	
6	M8 Flat Washer WASH0171	6	
7	M8 Spring Washer WASH0152	2	
8	Primer Stick MISC1365	2	
9	M8x25 Allen Key Button Head Screw	4	
10	Alcohol Wipe MISC2667	2	
11	Rivet	6	
12	Foam Tape 5.5mx20x6mm TAPE0386	1	
13	Tailgate Extrusion	1	
14	Tub bracket LHS CLIP3210LHPC	1	
15	Tub bracket RHS CLIP3210RHPC	1	
16	Vehicle Harness	1	
17	Dash Loom Harness	1	
18	Cable Tie	10	
19	Earth Strap	1	
20	M8 Star Washer	1	
21	M8x25 Hex Head Bolt	1	
22	Fitting Instruction	1	

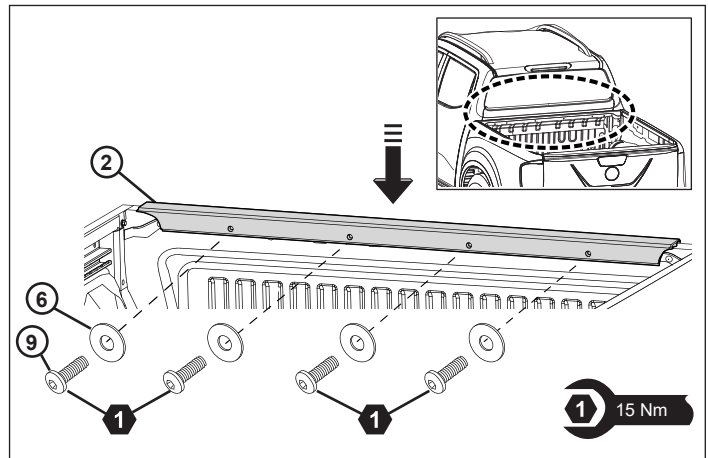
## Step 1

- Thoroughly clean and dry the installation areas (tub, rear of cabin and glass). Clean the front of the canopy including the front window.
- Using cardboard cut from the canopy carton (A), cut and place a piece inside the tub on the floor as a protection mat while installing the canopy.



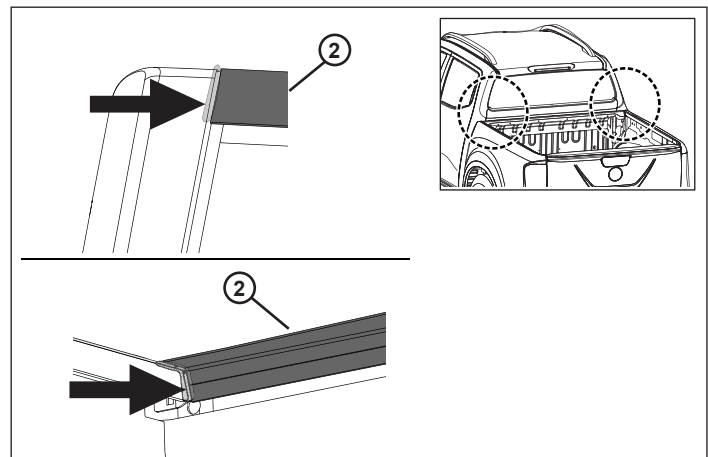
## Step 2

- If a tubliner is fitted, remove the tubliner front header rail, otherwise remove the plastic caps from the tub where the M8 bolts will be used.
- Place the Header Bar (2) on the tub and secure with M8 bolts (9) and flat M8 washers (6).
- If a tubliner is fitted, ensure the tubliner slots into the channel on the underside of the Header Bar (2).
- Tighten the four M8 bolts to 15Nm.



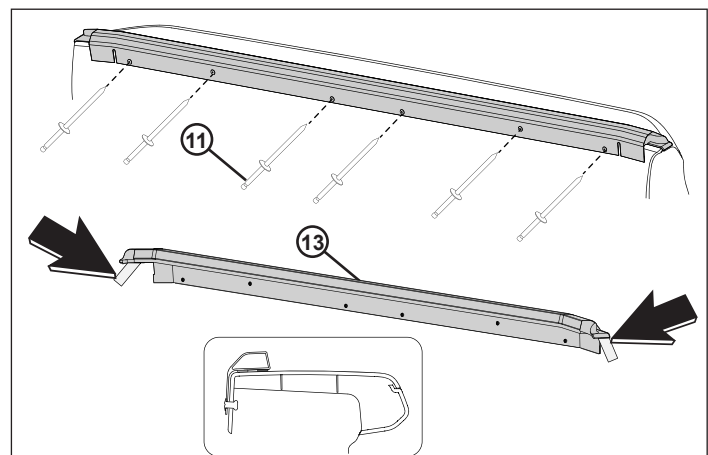
## Step 3

- With a clean dry cloth wipe down all areas of the front tub corners to be siliconed as shown. Spray areas to be siliconed with water. Do not dry.
- Apply non-acetic silicone (neutral cure) to the top of the tub and Header Bar and inside the tub at the join between the front and side panels. Re-spray silicone with water and push silicone into gaps.
- Clean up excess silicone.
- Repeat process for the other side of the vehicle.



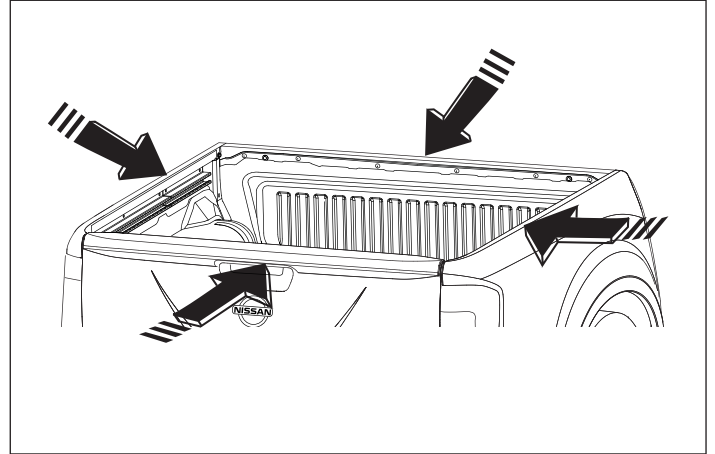
## Step 4

- Clean tailgate in the area of extrusion with Alcohol Wipe (10).
- Peel 25mm of the double sided tape liner from each corner of the Tailgate Extrusion (13).
- Place the Tailgate Extrusion on the tailgate, aligning with the edges.
- Peel the tape liner and press the part firm to the tailgate.
- Drill six holes with 5.5mm drill, use 10mm drill stop.
- Apply Rust Inhibitor (3) to the exposed sheet metal in the drilled holes.
- Secure the Tailgate Extrusion with six rivets (11).



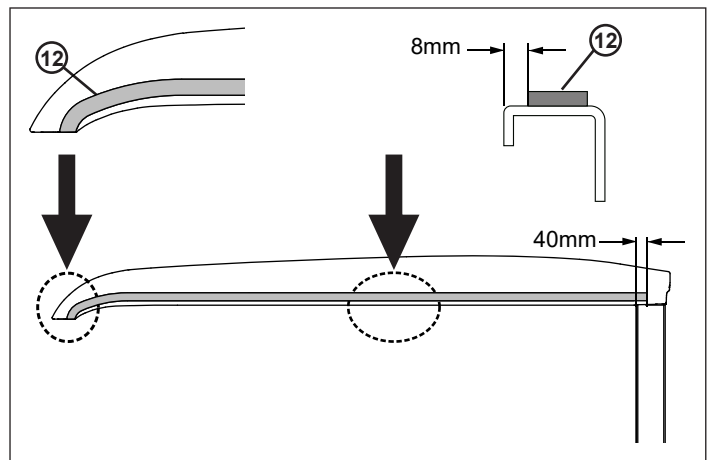
### Step 5

- Using an Alcohol Wipe (10) clean all the top rail areas of the tub and Header Bar (2). Wipe away residue with a clean dry cloth. If heavy cleaning is required use IPA spray and wipe away residue with a clean dry cloth.
- Using the supplied Primer Stick (8) as per instructions on Primer Stick, prime the top rails of the tub (as shown).



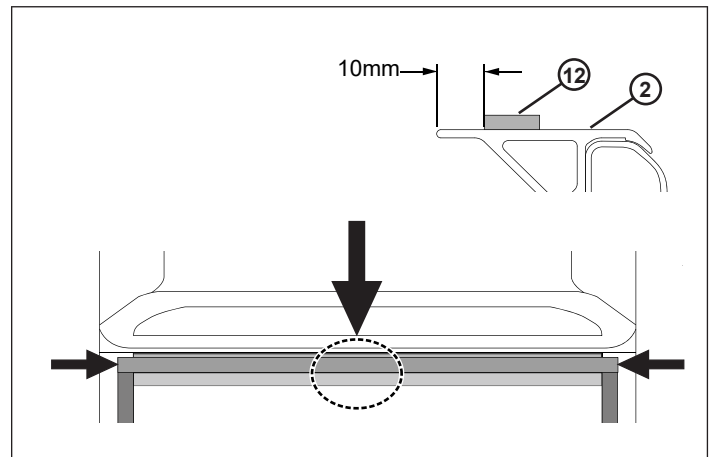
### Step 6

- Apply Foam Tape (12) to the vehicle tub rails (as shown).
- Starting from the LHS rear corner, position the tape end in line with the edge of the tub rail.
- Apply the Foam Tape (12) along the tub rail 8mm from the inside edge of the tub rail along the whole side and stop at the Header Bar edge.
- Repeat tape application on the RHS.



### Step 7

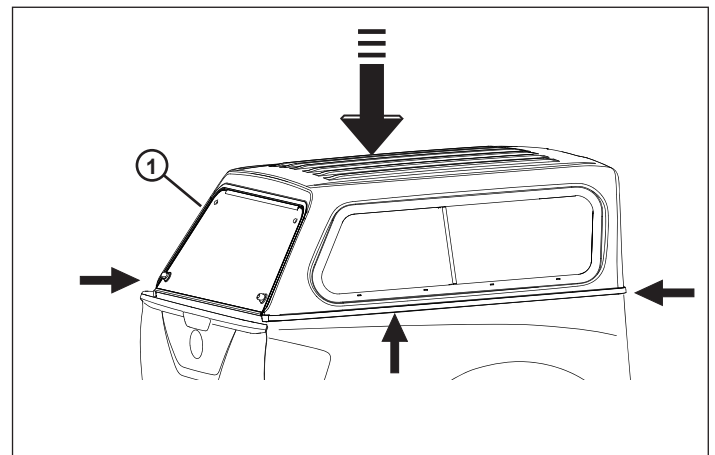
- Route the Foam Tape (12) along the front tub rail behind the cabin, ensuring it is spaced 10mm from the rear edge of the Header Bar (2) as shown.
- Overlap the tape on each side of the tub rail.



### Step 8

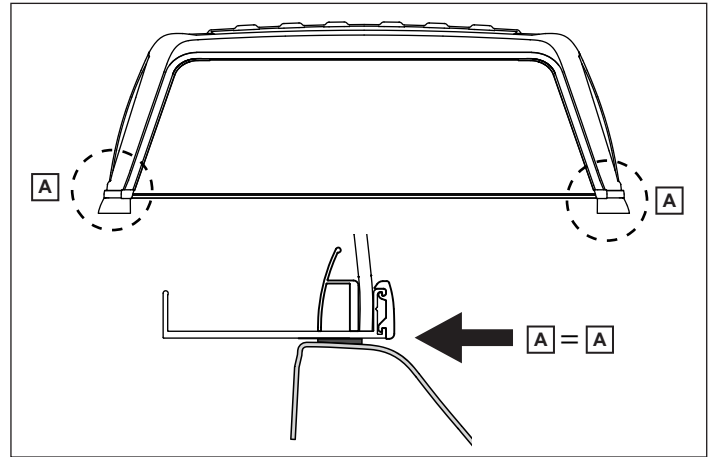
- Place the Canopy (1) on to the vehicle.
- Four people are required to lift the Canopy and place on to the vehicle.

*NOTE: Use soapy water on the foam tape to aid adjustment of Canopy position.  
Lift the Canopy at each corner.  
Do not lift by the windows!*



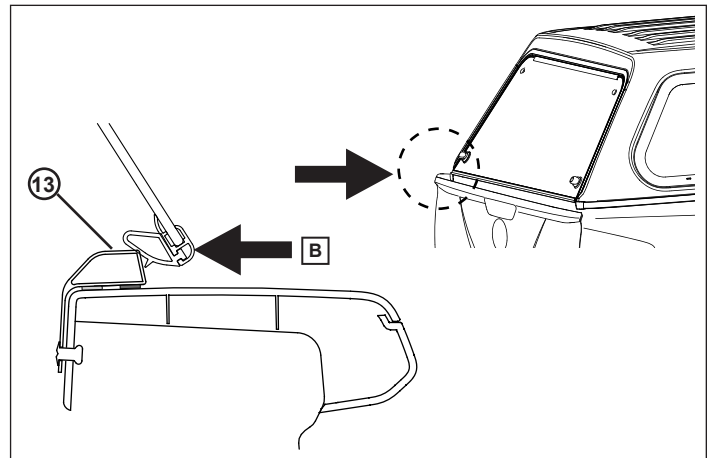
### Step 9

- Check the gap (A) on both sides between the Canopy and tub side rail.
- If adjustment is required to align the Canopy evenly on the tub, carefully lift and reposition.



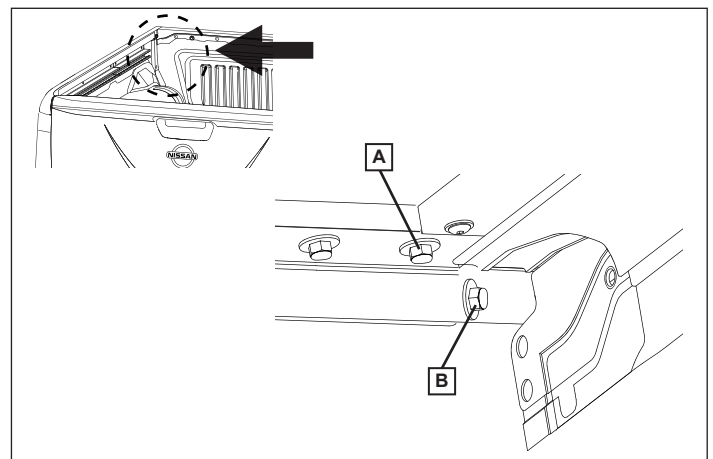
### Step 10

- Set the Canopy rearwards till the rear door seal (B) compresses against the Tailgate Extrusion (13).



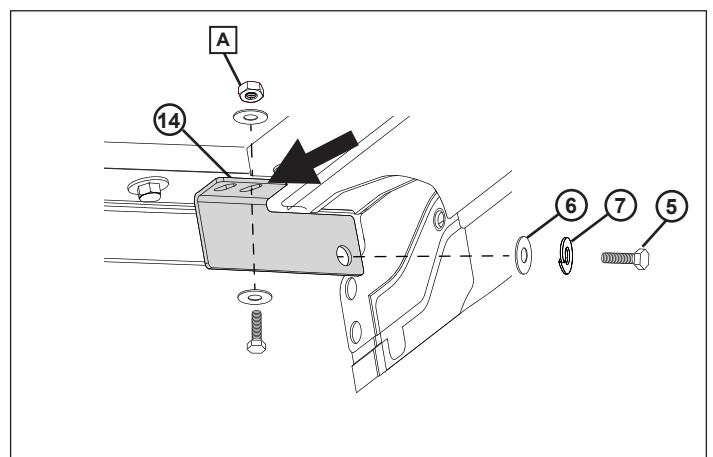
### Step 11

- Remove and retain the M8 bolt (A) from the base rail corner bracket.
- Remove and discard the M8 bolt (B) located at the front of the side rail of the tub.
- Repeat for the RHS.



### Step 12

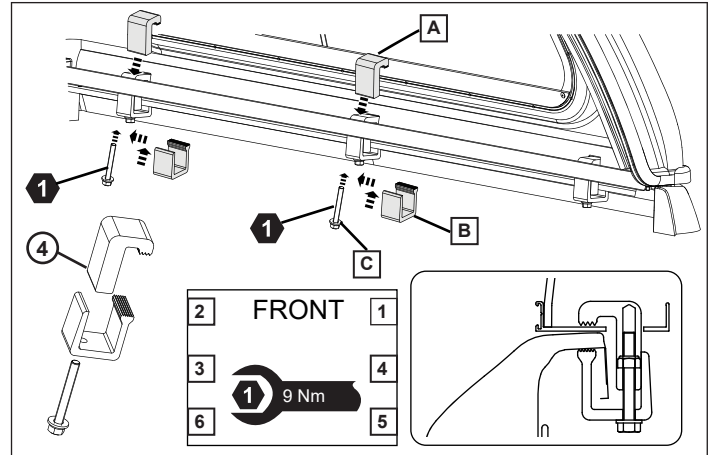
- Position the Tub Bracket (14) underside of the front left hand side canopy side rail, aligning with the hole in the tub and front top slot in the canopy rail, under the corner bracket.
- Loosely secure the Tub Bracket (14) to the canopy base rail with the previously removed M8x25 bolt, two M8 flat washers and M8 Nylock nut.
- Loosely secure the Tub Bracket (14) to the tub with one M8x25 bolt (5), spring washer (7) and flat washer (6). Do not tighten yet. Repeat for the RHS.



### Step 13

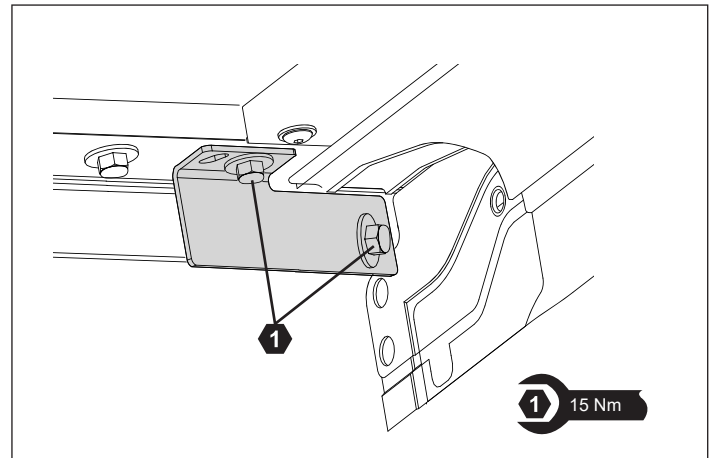
- Disassemble the six Rail Clamps (4).
- Fit the clamps to the holes in the canopy base rails by lifting the top L-clamp (A) down through the hole in the rail and sliding the lower U-clamp (B) along the side rail.
- Secure the clamps with the bolts (C) and washers as shown.
- Tighten the clamp bolts to 9Nm, front to back in the order as shown.

*NOTE: Apply Loctite 243 (not supplied), minimum 20mm along the thread on the bolts.*



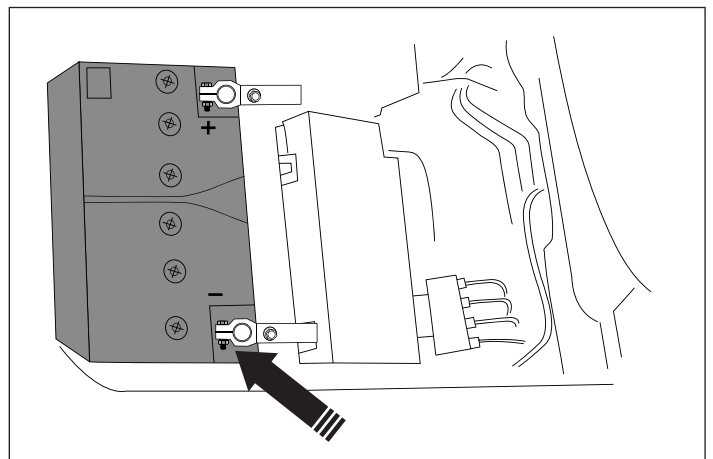
### Step 14

- Tighten the bolts on the LHS and RHS Tub Brackets (14) & (15) to the tub to 15Nm.



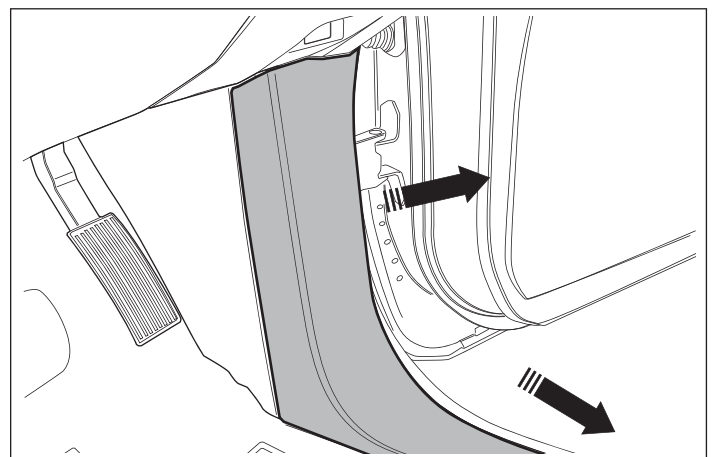
### Step 15

- Note down all settings of the radio, navigation system etc. so they can be set again after the installation.
- Disconnect the negative battery terminal.



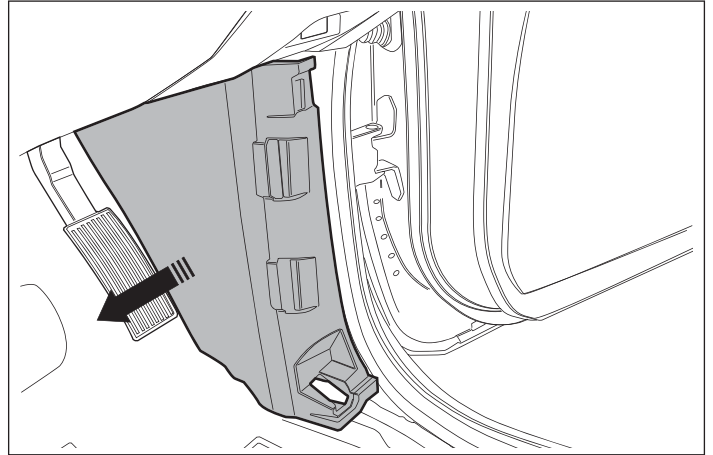
### Step 16

- At the front driver side foot well area, remove the scuff plate trim using a trim removal tool.



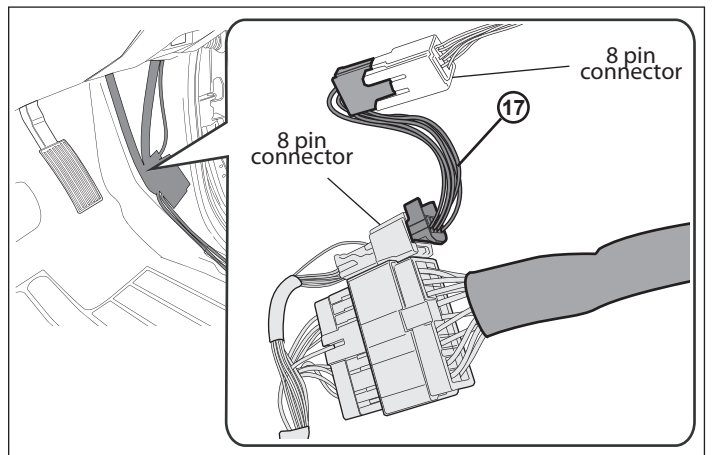
### Step 17

- Remove the kick panel as shown.



### Step 18

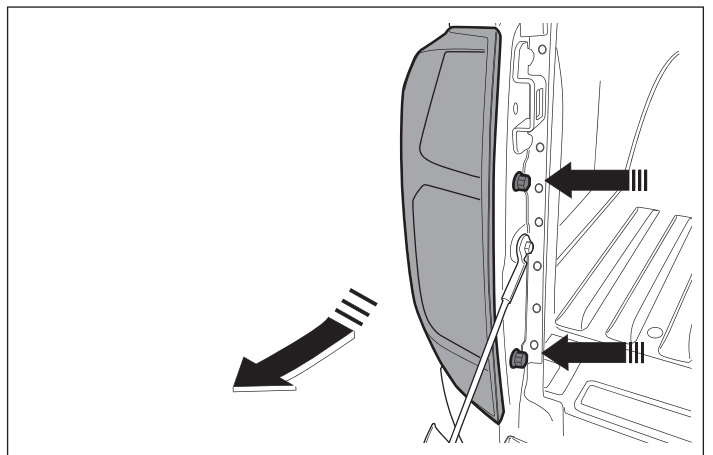
- Unplug the 8 pin connector.
- Install the Dash Loom Harness (17) to deactivate the vehicle stop lamp.



### Step 19

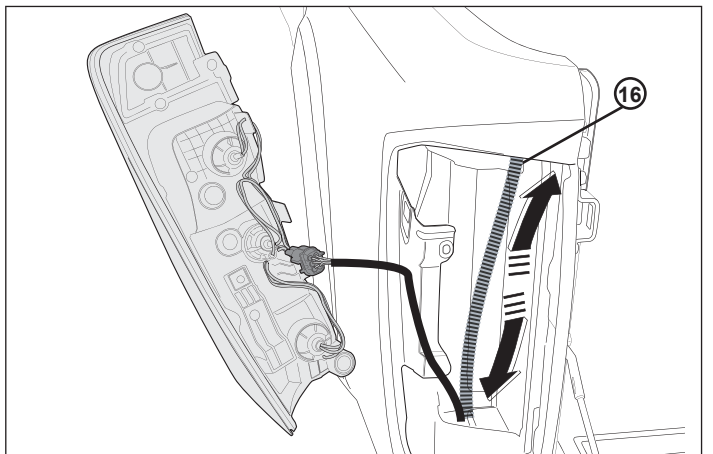
- Remove the two bolts that secure the LHS tail lamp.
- Pull the lamp directly rearwards to disengage the fastening clips. Remove the LHS tail lamp.

**CAUTION:** Do not pull the tail lamp out sideways or at an angle as the tail lamp retaining clips may be damaged.



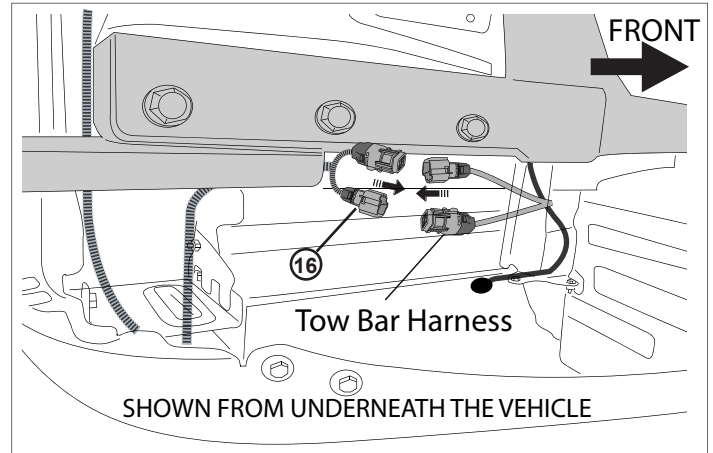
### Step 20

- Feed the Vehicle Harness (16) branch with 3 wire connector up through the tail lamp cavity hole into the tub.
- Feed the other Vehicle Harness branch with single earth wire and two plastic connectors down through the tail lamp cavity to the vehicle chassis, following the existing tail lamp loom.



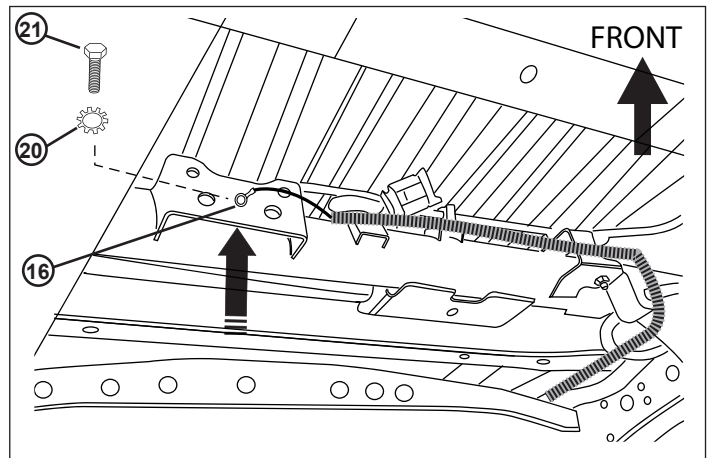
### Step 21

- Underneath the tub, locate and unplug the tow bar connector.
- Plug the two large connectors of the Vehicle Harness (16) into these two connectors (use the blanking plug if no towbar is fitted).
- Use the supplied cable ties (18) and fasten the Vehicle Harness to existing harnesses where possible.



### Step 22

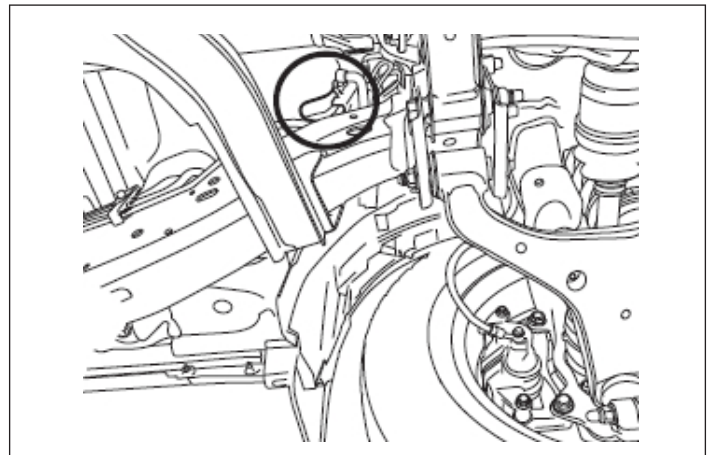
- Attach the earth wire from the Vehicle Harness (16) to the chassis point under the tub using the M8 bolt (21) and star washer (20) as shown.
- Use the supplied cable ties (18) and fasten the Vehicle Harness to existing harnesses along the chassis.



### Step 23

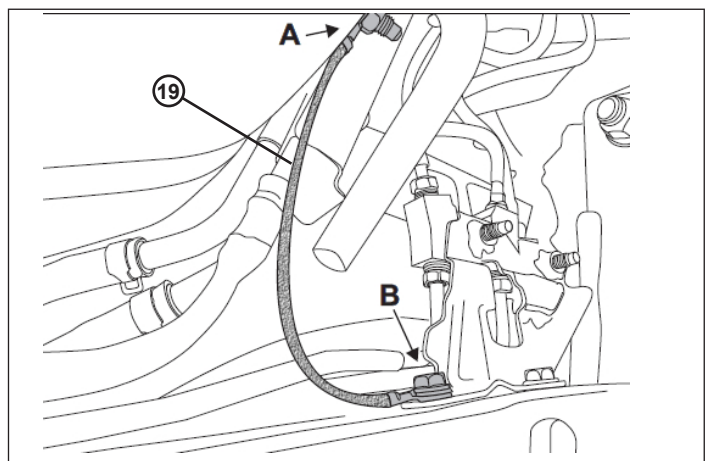
Note: If towbar harness is fitted skip to step 27.

- Underneath the front of the vehicle locate the brake line bracket and a stud in the firewall.



### Step 24

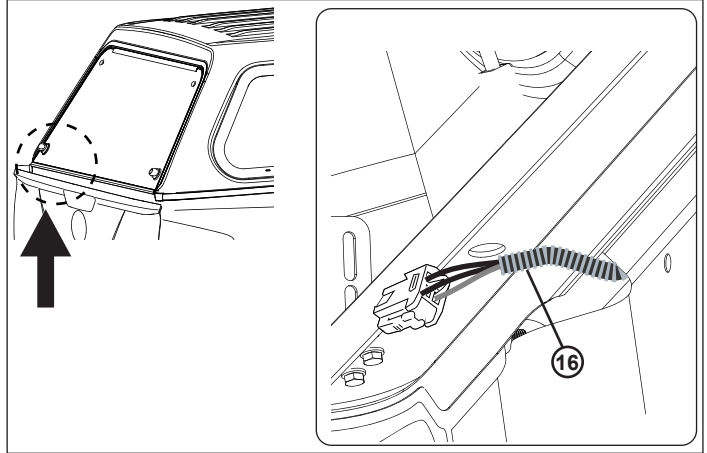
- Fit the Earth Strap (19) to the front of the vehicle between firewall stud (A) and brake line bracket rear bolt (B) on the LHS of the vehicle behind LH front wheel.



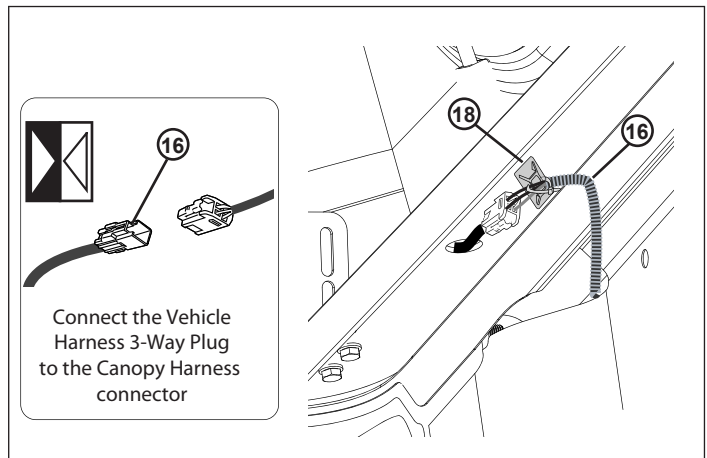


**Step 25**

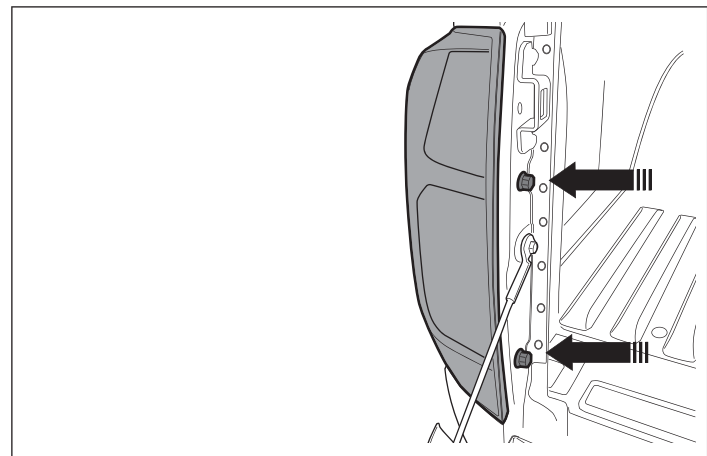
- Pull the 3 wire branch from the Vehicle Harness (16) into the tub cavity.

**Step 26**

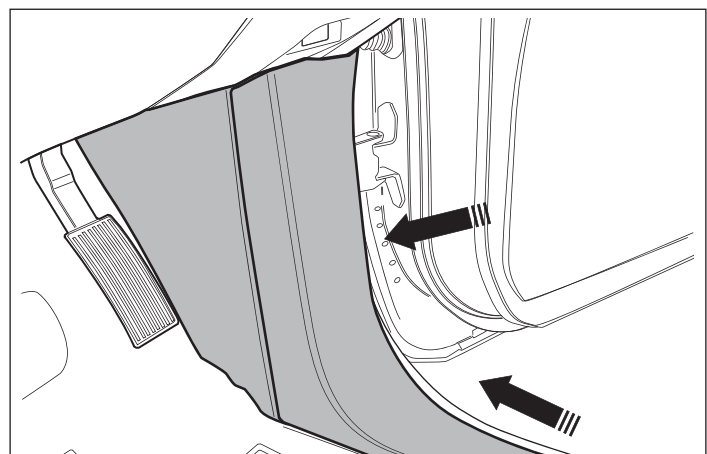
- Connect the 3-way connector on the Vehicle Harness (16) to the Canopy Loom.
- Secure the harness to the base rail using a cable tie (18).

**Step 27**

- Refit the tail lamp with two bolts previously removed.
- Reconnect battery negative terminal.
- Check function of stop lamp and dome lamp.
- Check the vehicle stop lamp is disabled.

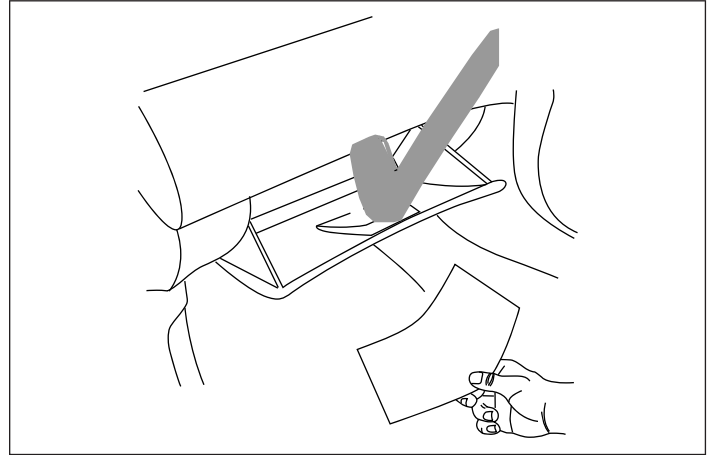
**Step 28**

- Refit the interior trim pieces.



**Step 29**

- Place keys and Fitting Instructions in the vehicle glove box.

**NISSAN NAVARA D23****CANOPY****KEY IDENTIFICATION CODE**

<input type="text"/>	<input type="text"/>	<input type="text"/>	<input type="text"/>
----------------------	----------------------	----------------------	----------------------

Please write your key identification code in the boxes above and ensure this instruction is placed in vehicle's glove compartment. Replacement keys can be purchased from your local dealer.