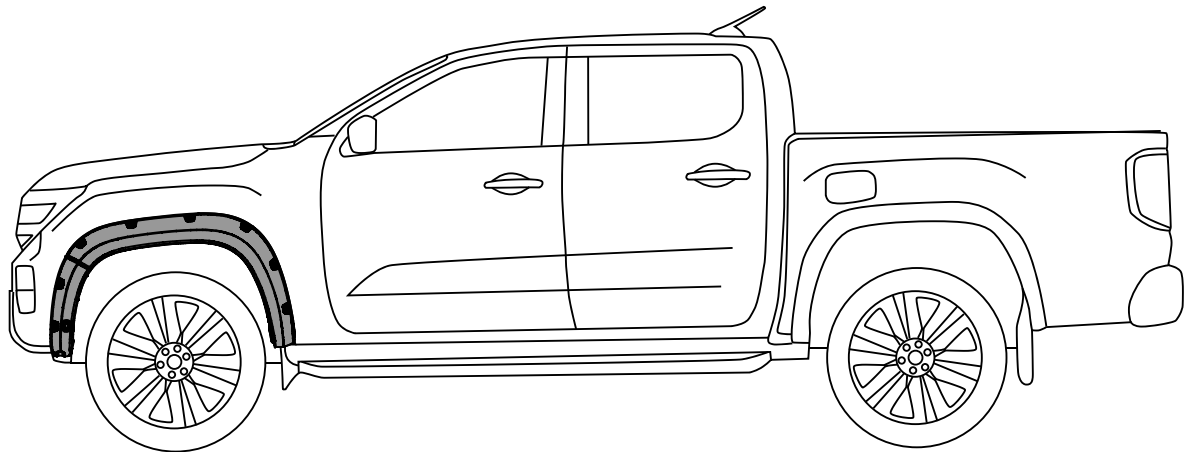




FRONT FENDER FLARES INSTALLATION INSTRUCTIONS

VW AMAROK MY23



Installation Time: Approx. 30 mins



NOTES:

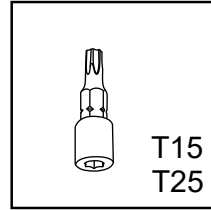
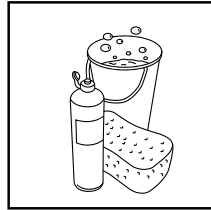
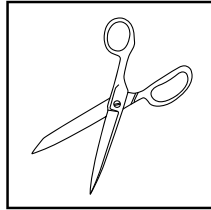
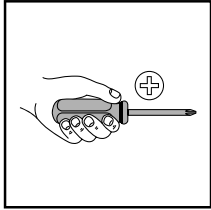
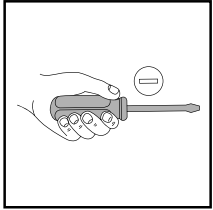
- Ensure that both left and right hand Fender Flares suit the profile of the vehicle. Note the areas where the Fender Flares come in contact with the vehicle.
- Before fitting Fender Flares remove any mouldings, strips or existing flares from the wheel arch. If there is a body side moulding, mark where the moulding is to be cut, alternatively the Fender Flares can be cut to go around the moulding. Be sure to allow enough room for the extrusion.
- Read instructions carefully. This product must be installed exactly as specified in these instructions. Failure to do so may result in improper fit and/or retention.

PERSONAL PROTECTIVE EQUIPMENT:

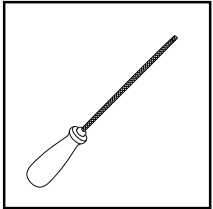
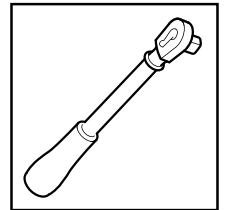
			
Mask	Rubber Gloves	Goggles	Hearing Protection

Care Instructions:

	Clean vehicle with a mild detergent and water solution.		Do not use abrasive cleaners or solvents.
---	---	---	---



T15
T25



GLOSSARY



: Vehicle Part



: Sequence



: Part Provided



: Torque Setting



: Even Space



: Reuse



: Discard



: Complete for Both Sides



: Two People



: Check



: Caution



: Clean



: Location



: Loose



: Adjust



: Install / Remove



: Equal



: Disconnect



: Connect



: No Torque



: Lock


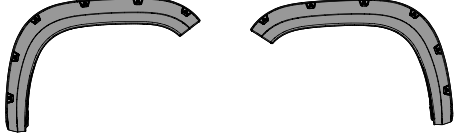








: Unlock










: Install

FRONT FENDER FLARES - HARDWARE KIT

NO.	COMPONENT	PART NUMBER	QTY	IMAGE
1	Front Bumper Flares (RHS & LHS)	_____	2	
2	Front Fender Flares (RHS & LHS)	_____	2	
3	Extrusion (adhere to fender)	MISC4524	1	
4	Pan Head Screw	SCRW0735	16	
5	U-Nut	NUTS0198	12	
6	Alcohol Wipe	MISC0052	2	
7	Primer	MISC1365	2	
8	Installation Instructions	FF1032	1	

PARK ASSIST KIT

10	Foam Spacer	_____	4	
11	Parking Sensor Bezel Nut	_____	2	
12	Parking Sensor Bezel	_____	2	
13	Parking Sensor Blank	_____	2	
14	Parking Sensor Foam	_____	2	
15	Parking Sensor Cap	_____	2	
16	Parking Sensor Screw	_____	4	

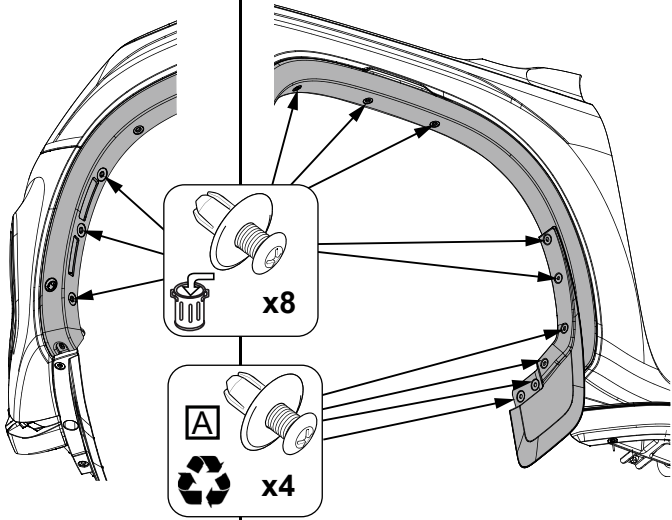
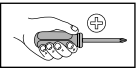
FRONT FENDER FLARES INSTALLATION INSTRUCTIONS



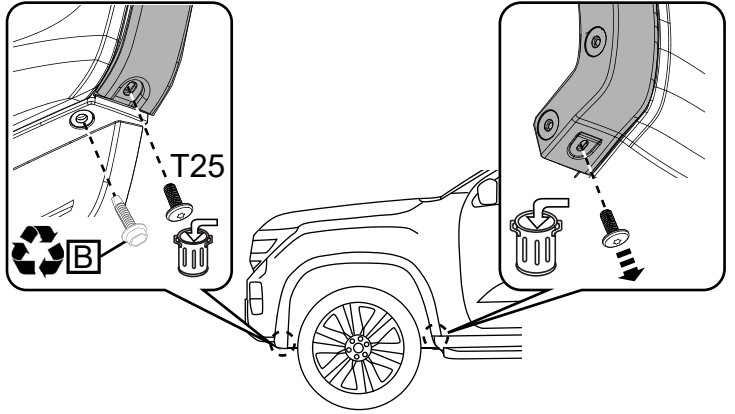
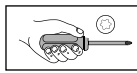
LHS INSTALLATION INSTRUCTIONS SHOWN. REPEAT ALL STEPS FOR THE RHS.



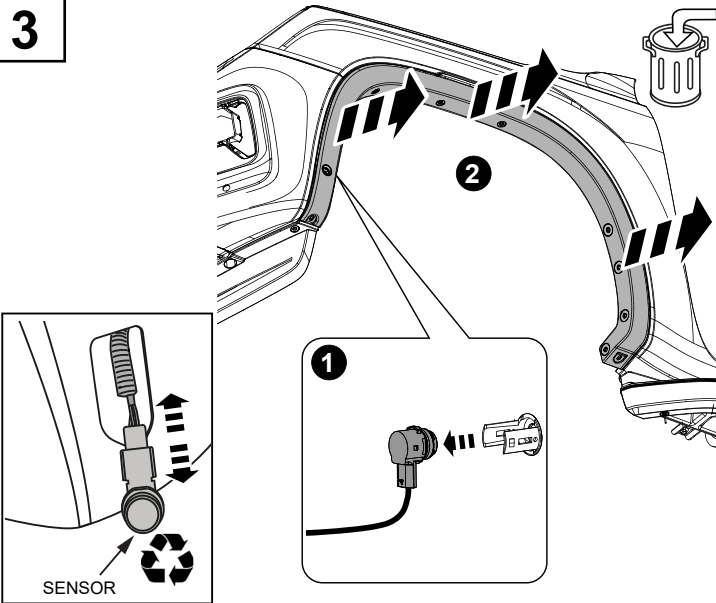
1



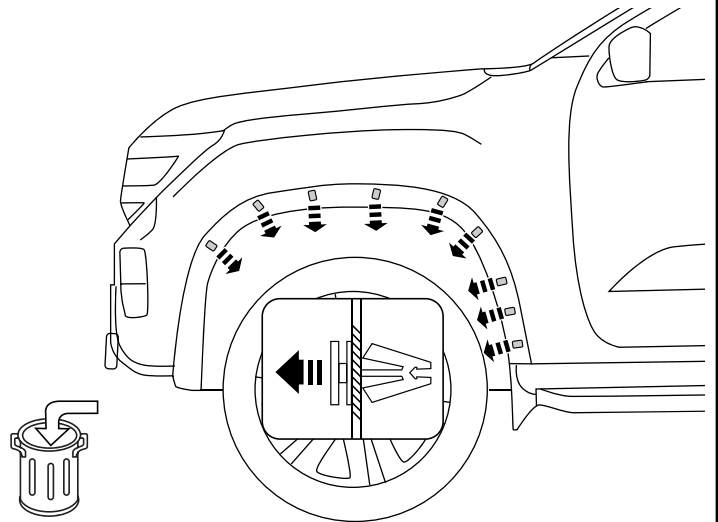
2



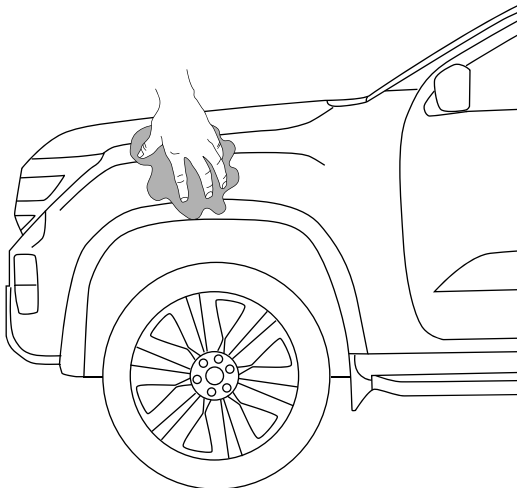
3



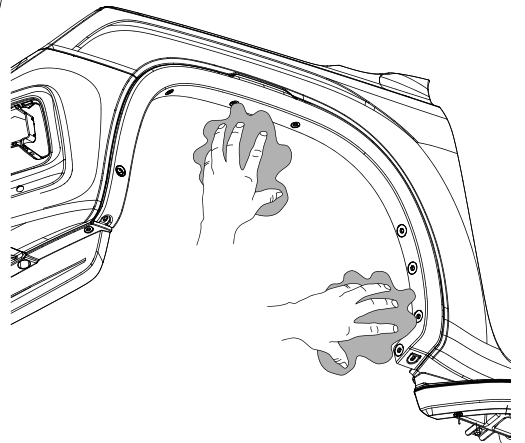
4



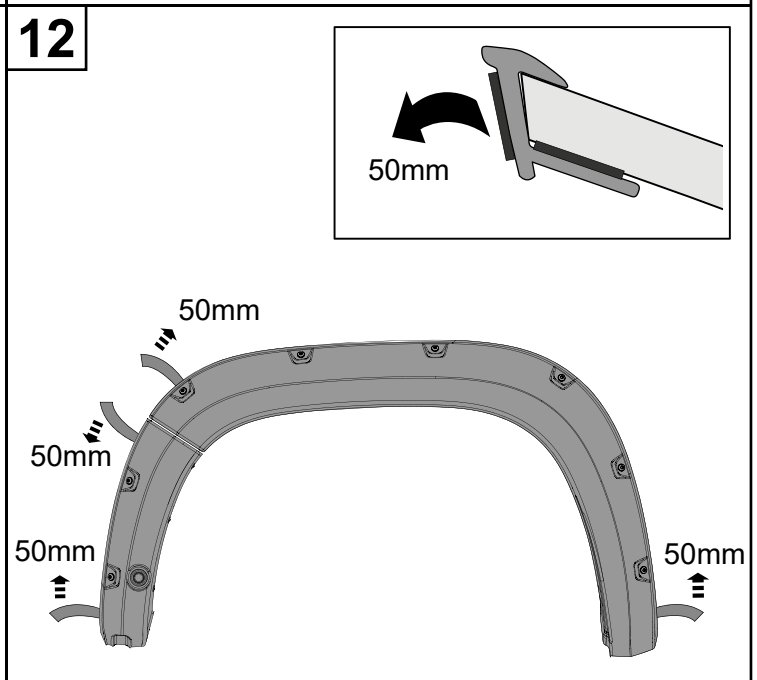
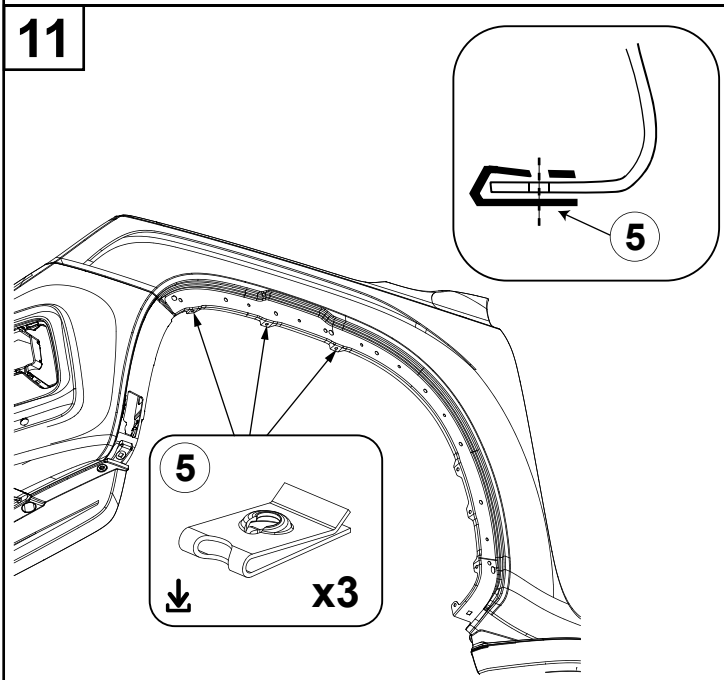
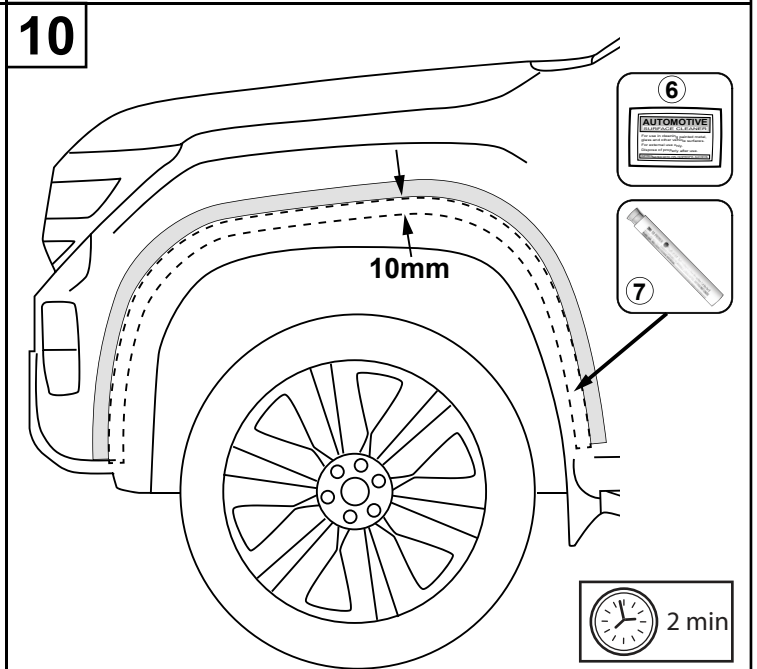
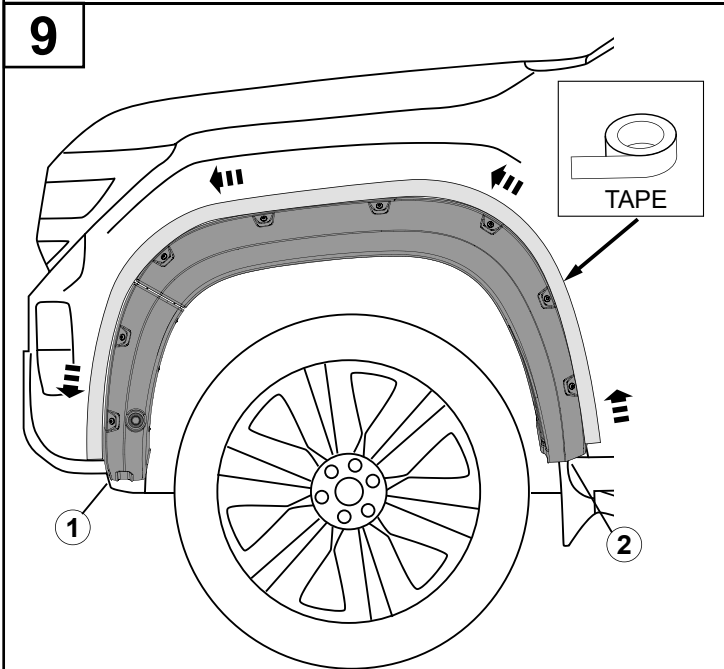
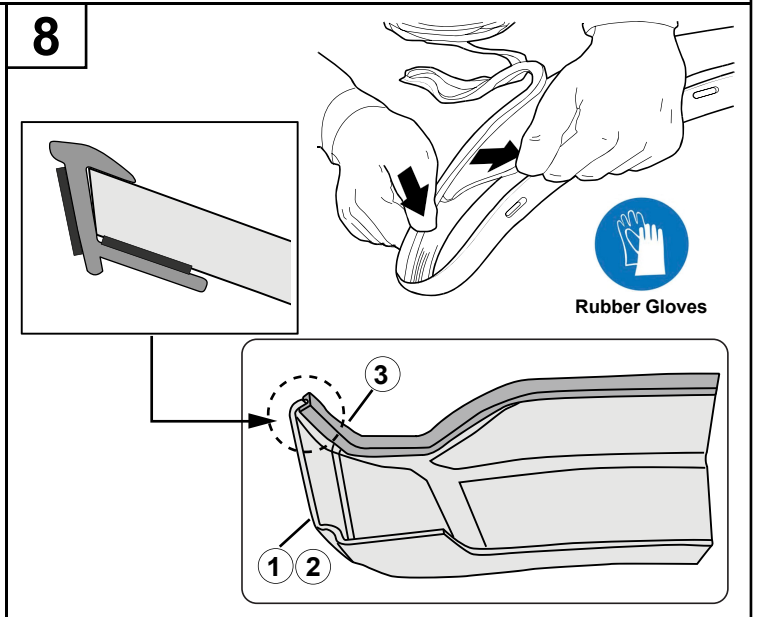
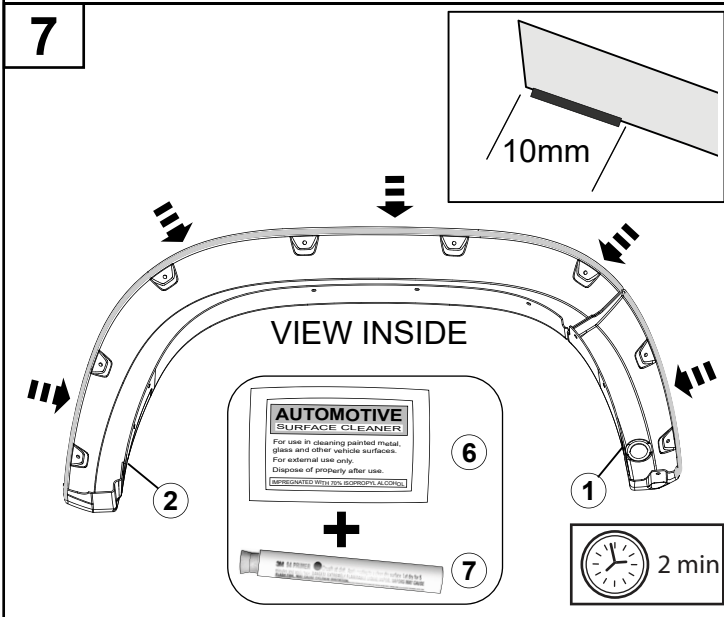
5



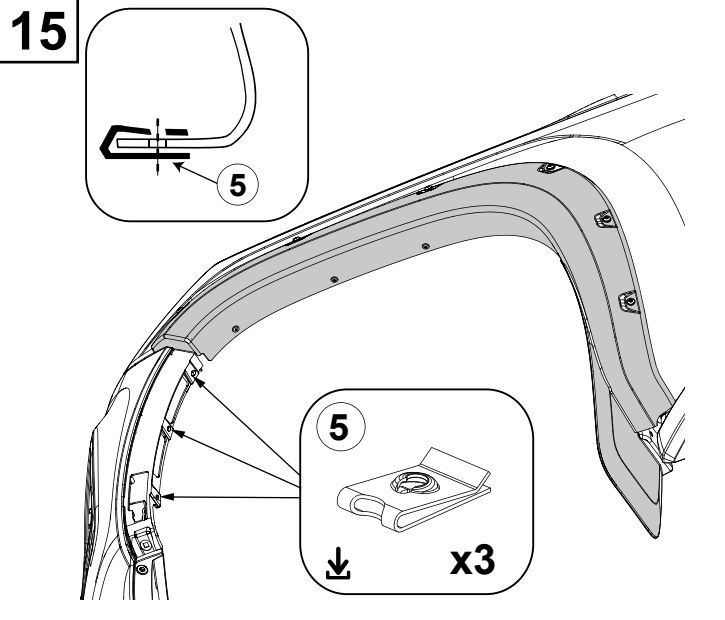
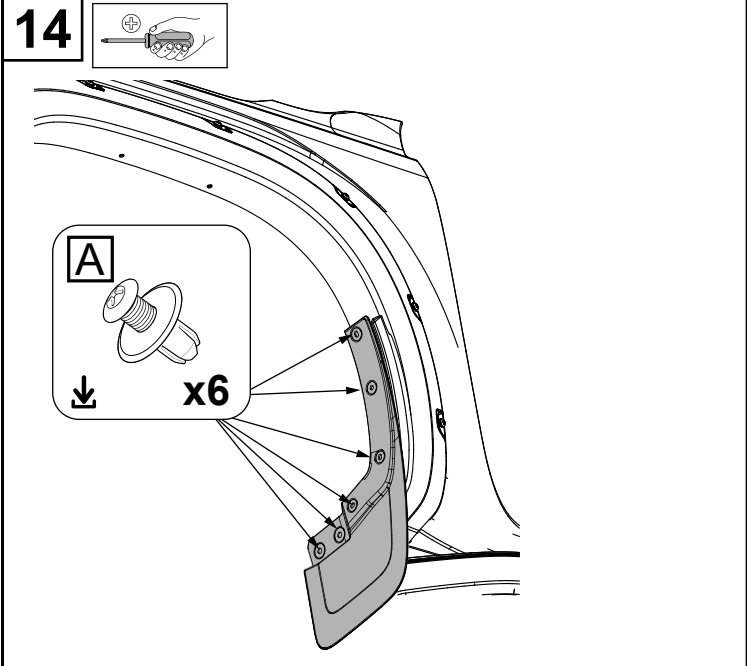
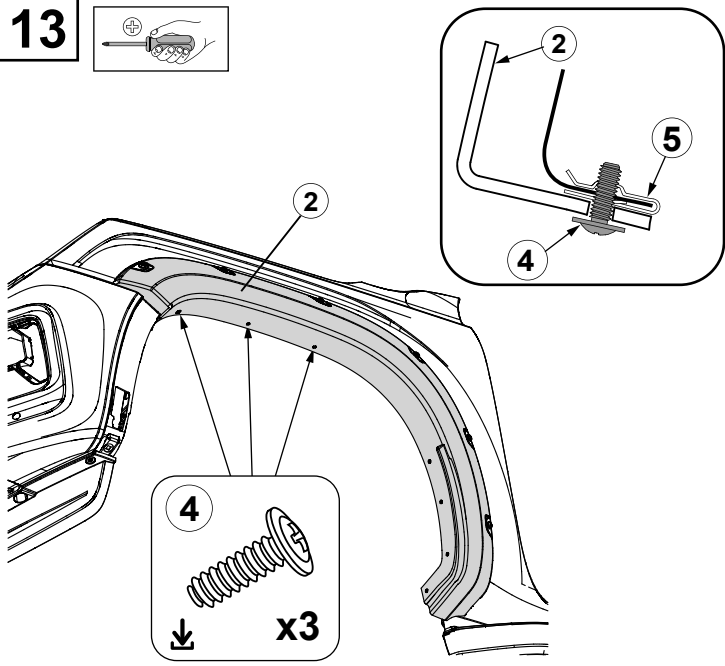
6



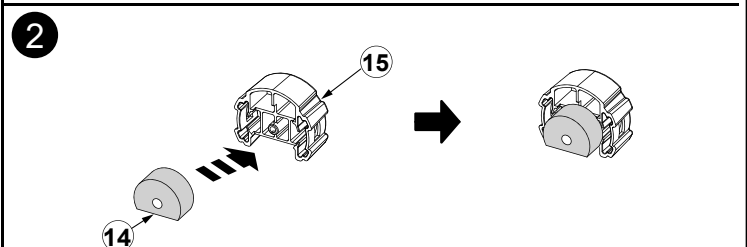
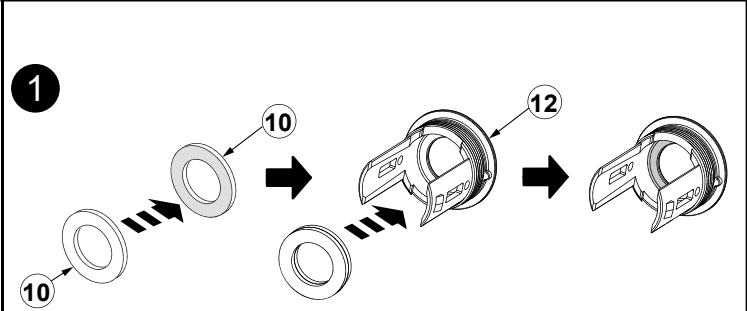
FRONT FENDER FLARES INSTALLATION INSTRUCTIONS



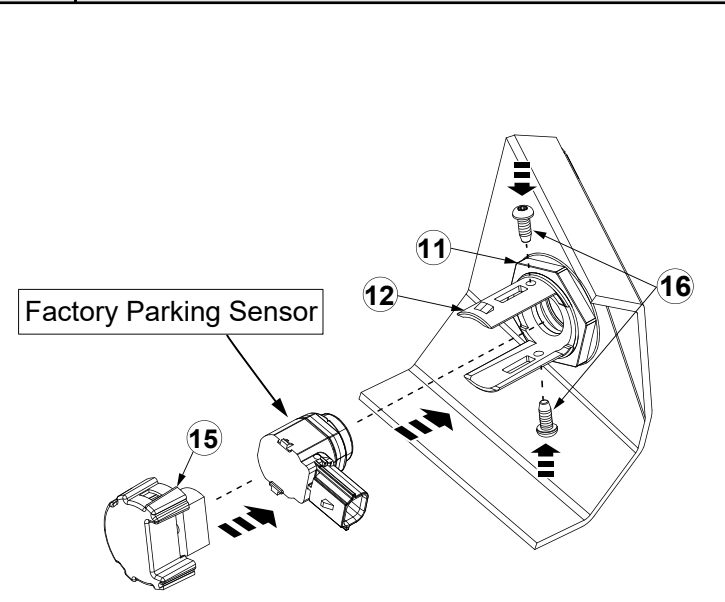
FRONT FENDER FLARES INSTALLATION INSTRUCTIONS



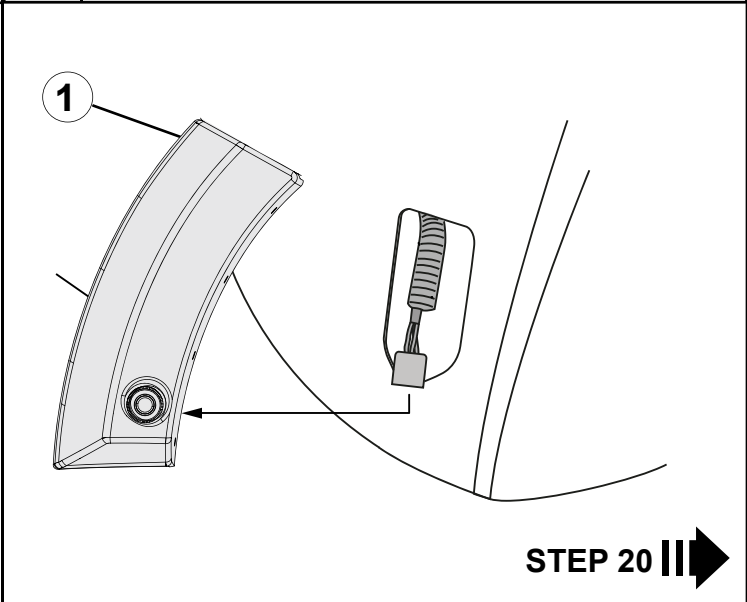
16 This step is required only for vehicles with park assist



17 This step is required only for vehicles with park assist

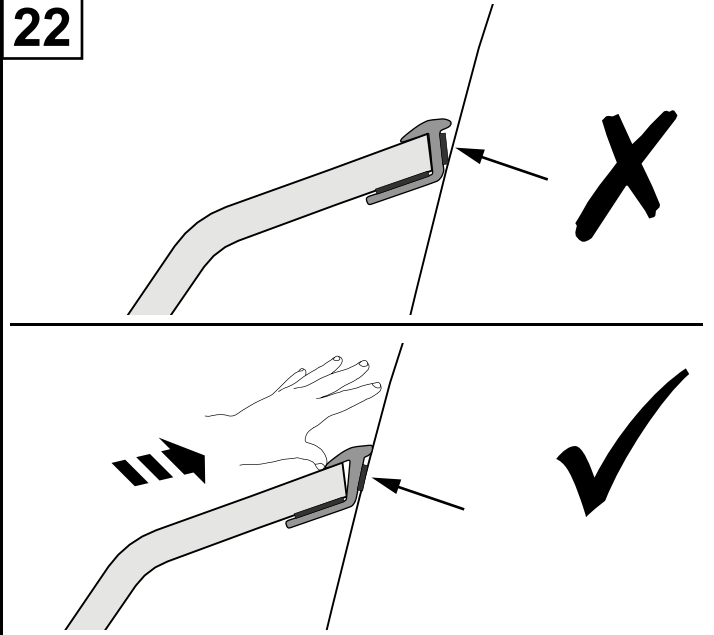
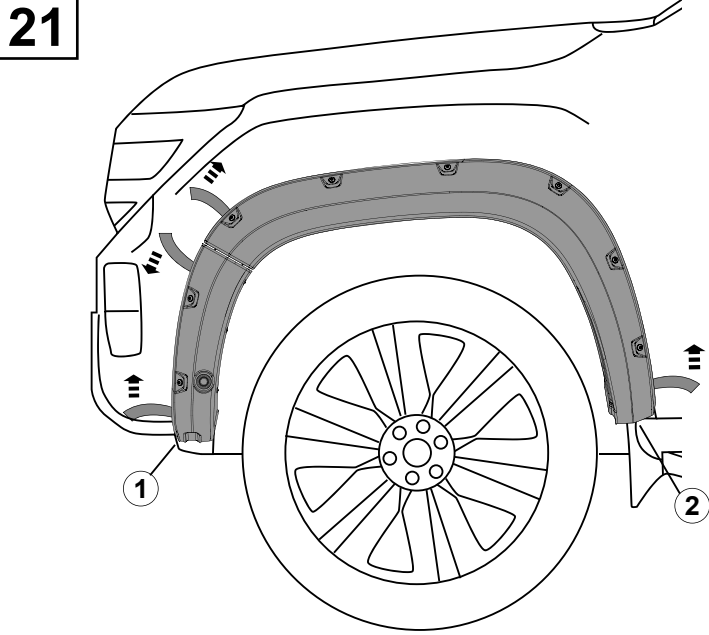
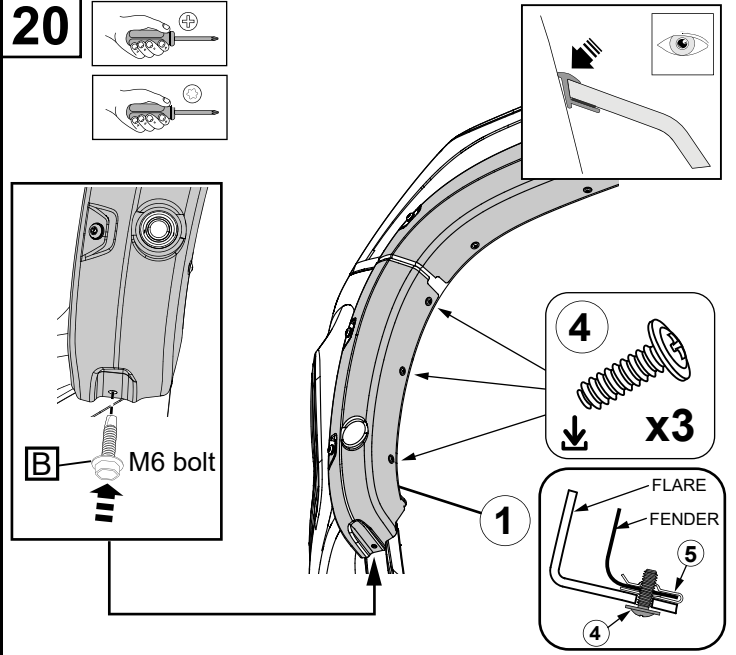
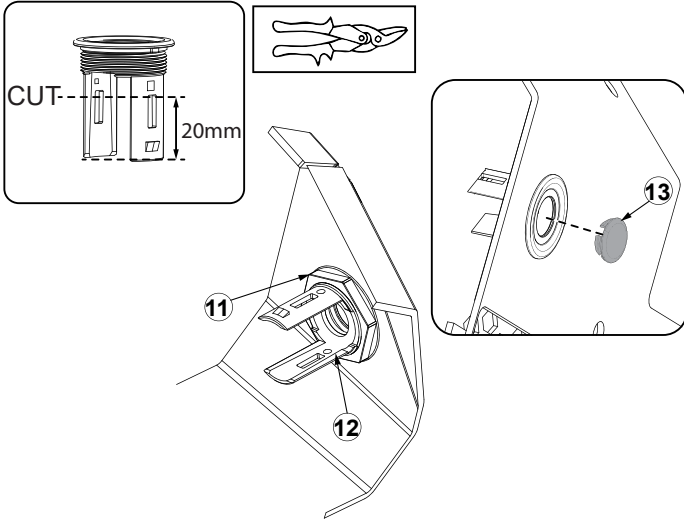


18 This step is required only for vehicles with park assist



FRONT FENDER FLARES INSTALLATION INSTRUCTIONS

19 This step is required only for vehicles without park assist



24 HOURS

