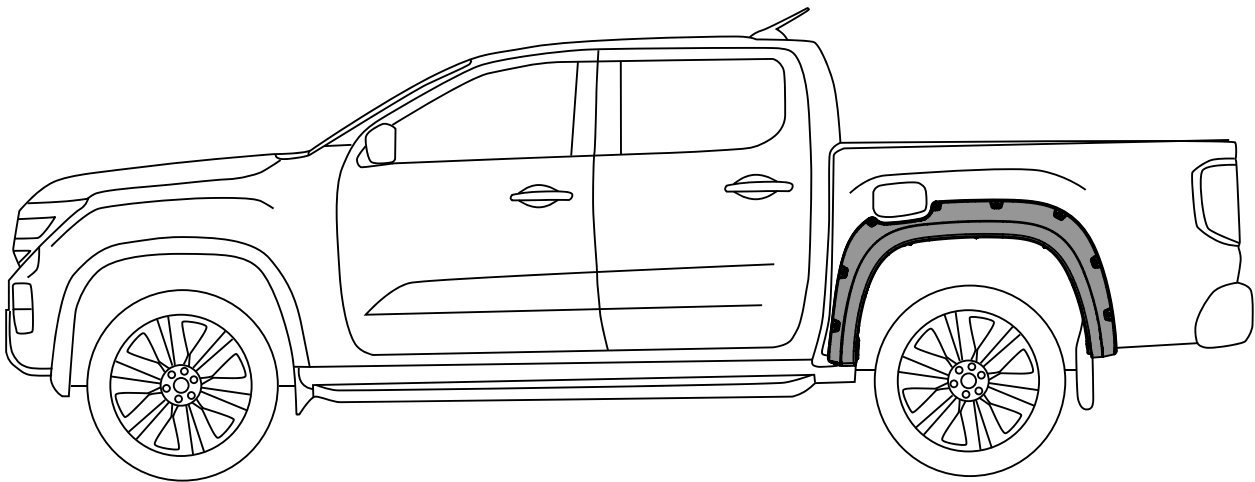


REAR FENDER FLARES INSTALLATION INSTRUCTIONS

VW AMAROK MY23



Installation Time: Approx. 30 mins

NOTES:

- Ensure that both left and right hand Fender Flares suit the profile of the vehicle. Note the areas where the Fender Flares come in contact with the vehicle.
- Before fitting Fender Flares remove any mouldings, strips or existing flares from the wheel arch. If there is a body side moulding, mark where the moulding is to be cut, alternatively the Fender Flares can be cut to go around the moulding. Be sure to allow enough room for the extrusion.
- Read instructions carefully. This product must be installed exactly as specified in these instructions. Failure to do so may result in improper fit and/or retention.

PERSONAL PROTECTIVE EQUIPMENT:



Mask



Rubber Gloves



Goggles



Hearing Protection

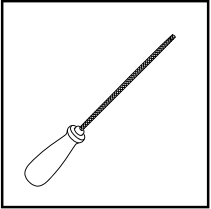
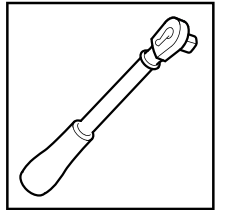
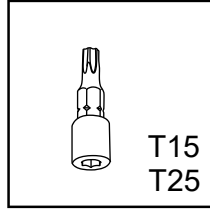
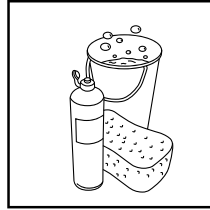
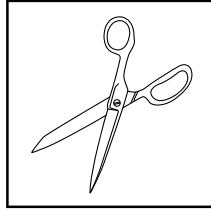
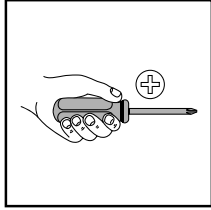
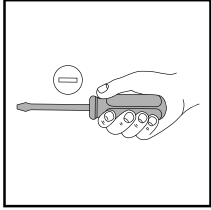
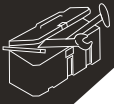
Care Instructions:



Clean vehicle with a mild detergent and water solution.



Do not use abrasive cleaners or solvents.



GLOSSARY



: Vehicle Part



: Sequence



: Part Provided



: Torque Setting



: Even Space



: Reuse



: Discard



: Complete for Both Sides



: Two People



: Check



: Caution



: Clean



: Location



: Loose



: Adjust



: Install / Remove



: Equal



: Disconnect



: Connect



: No Torque



: Lock

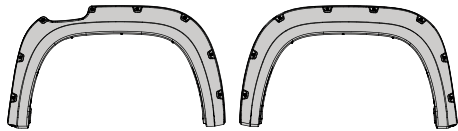
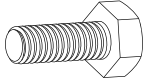






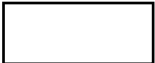


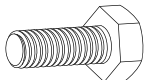
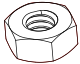
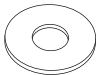


: Unlock

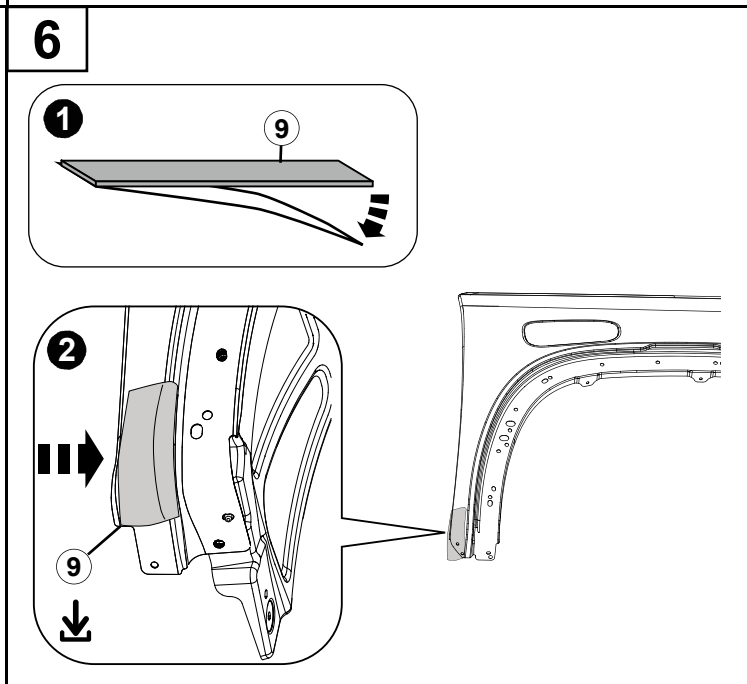
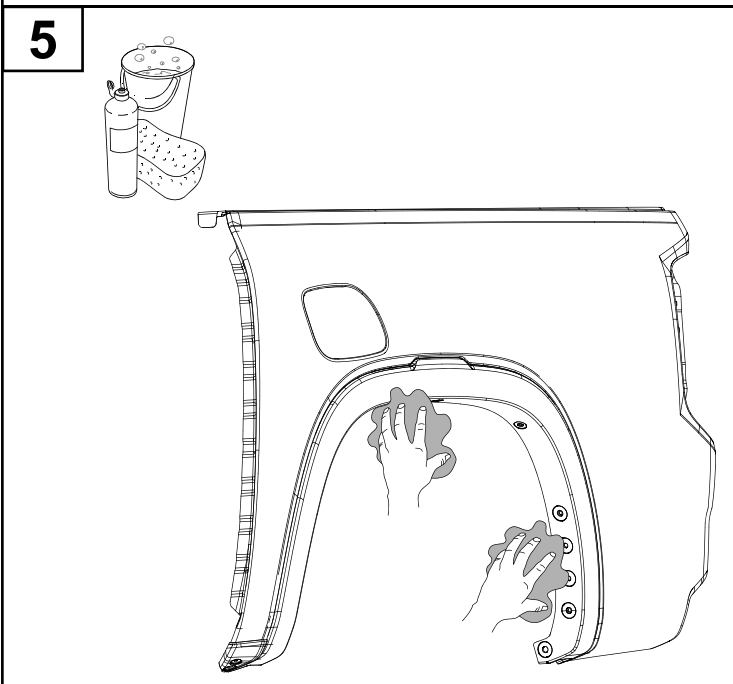
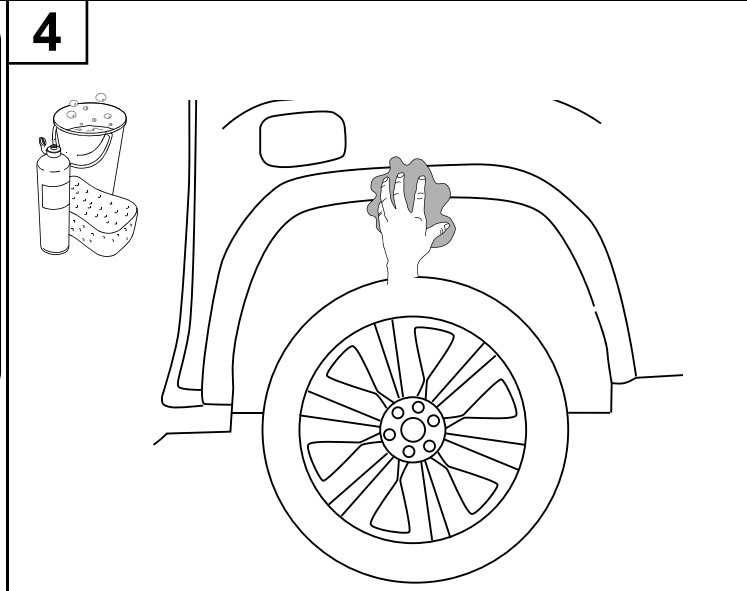
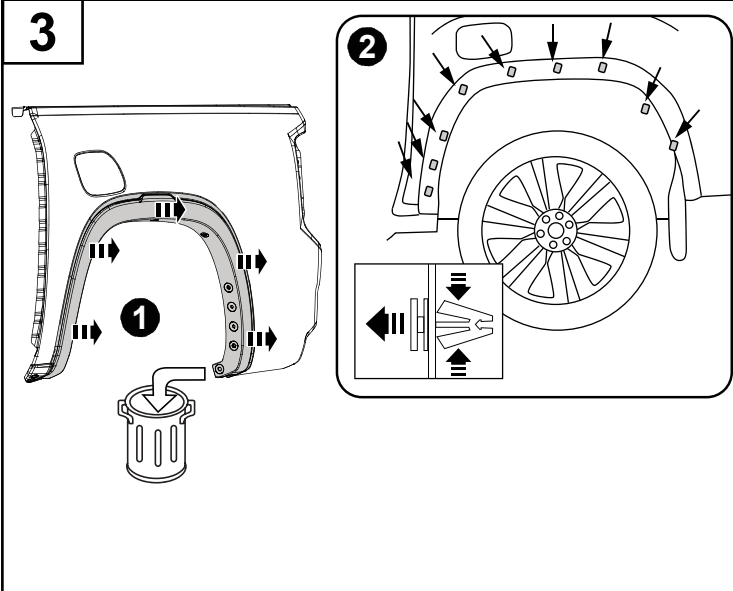
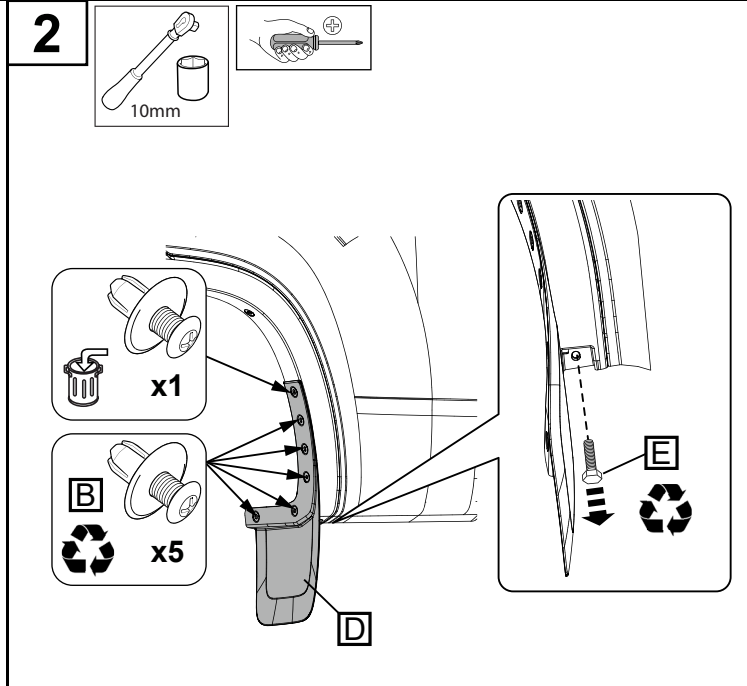
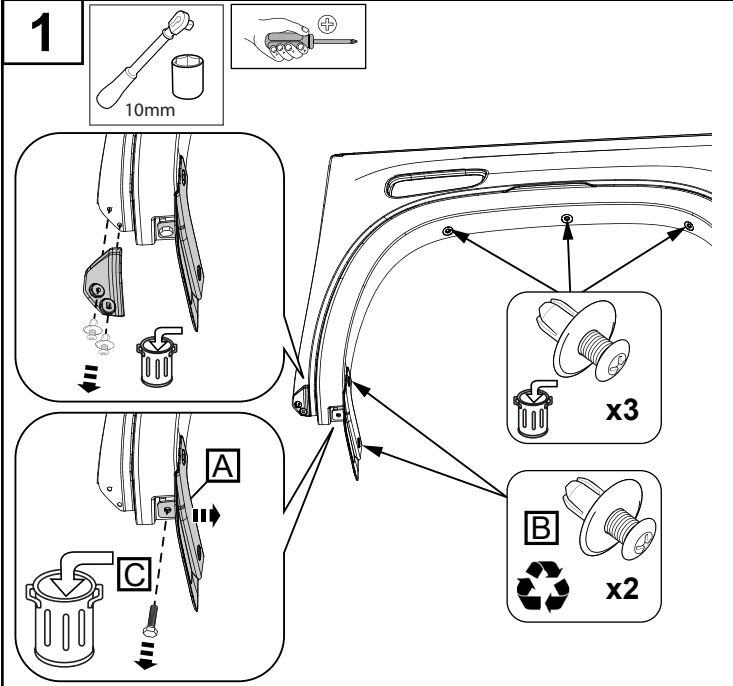


: Install

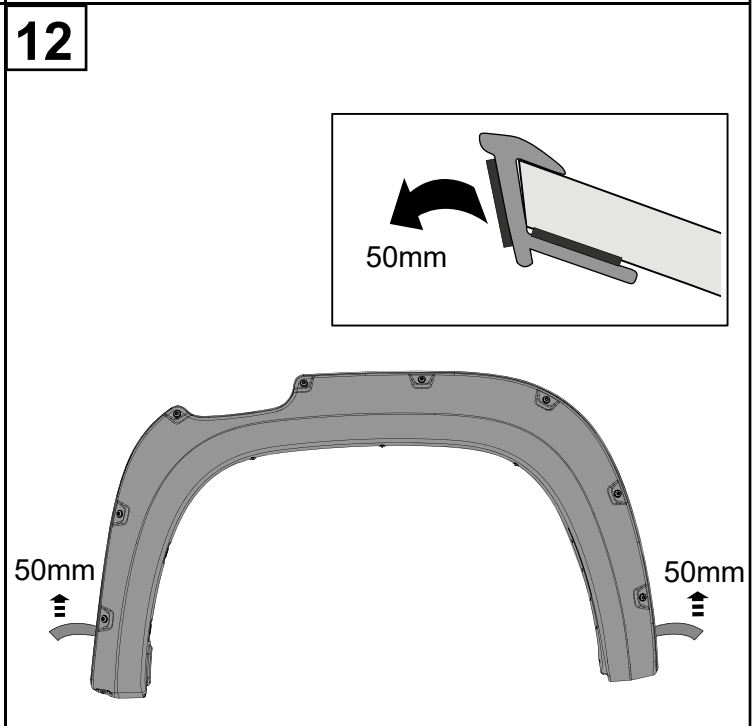
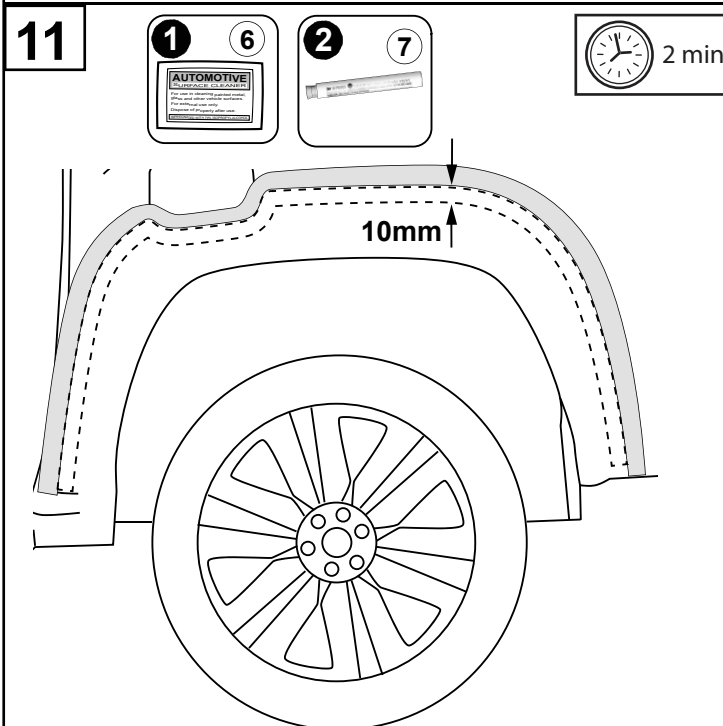
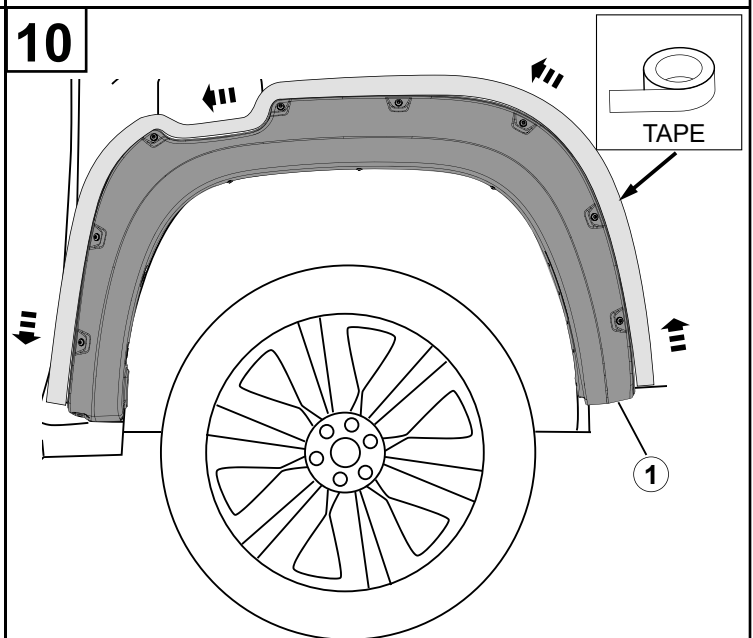
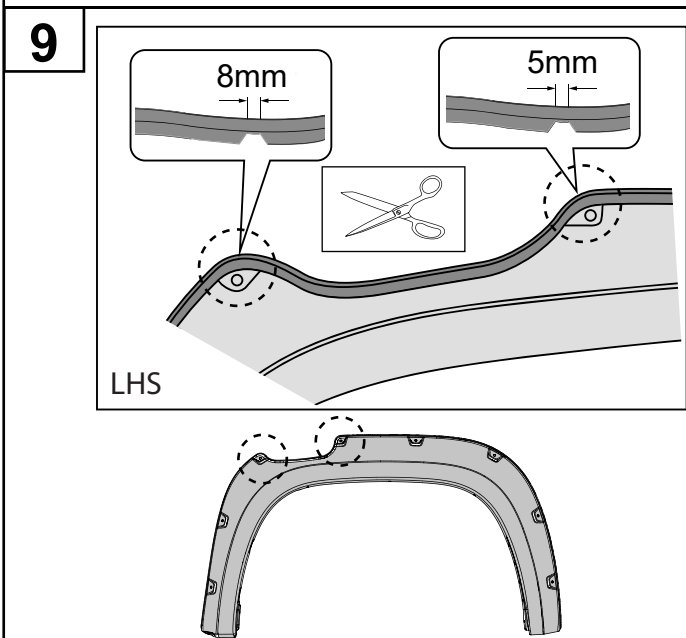
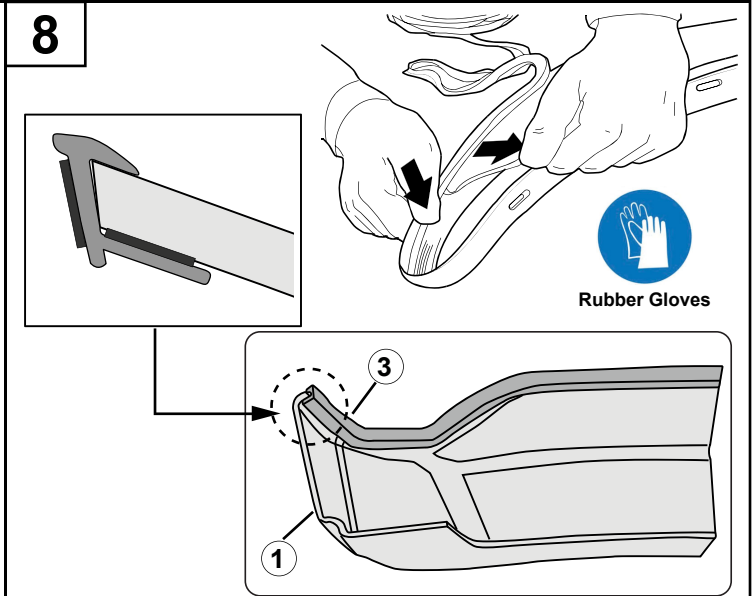
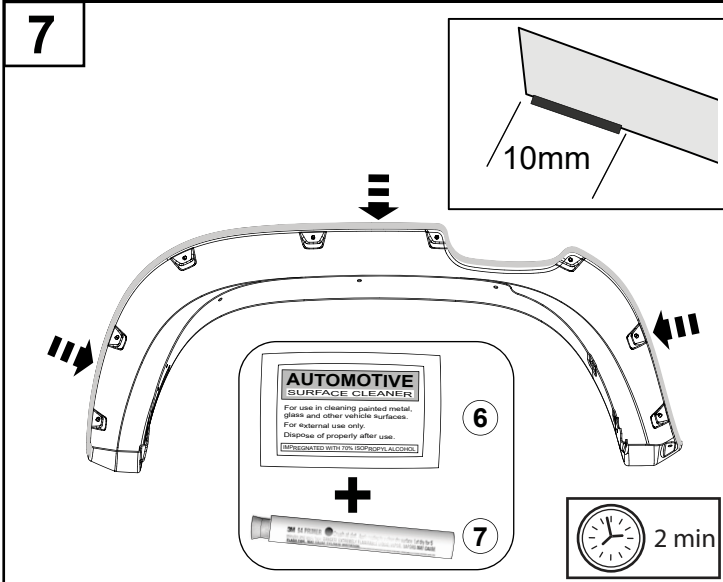
REAR FENDER FLARES - HARDWARE KIT

NO.	COMPONENT	PART NUMBER	QTY	IMAGE
1	Bolt-On Rear Fender Flares (RHS & LHS)	—	2	
2	M6x20 Screw	—	2	
3	Extrusion (adhere to fender)	MISC4524	2	
4	J-Nut	NUTS0198	8	
5	Pan Head Screw	SCRW0735	8	
6	Alcohol Wipe	MISC0052	2	
7	Primer	MISC1365	2	
8	Fitting Instructions	FF1033	1	
9	Anti-Abrasive Tape	—	2	
10	U-Nut	—	4	
11	Spacer 5.5mm	MISC1649	2	
12	M6x30 Screw	—	2	
13	M6 Hex Nut	—	2	
14	M6 Washer	—	6	

REAR FENDER FLARES INSTALLATION INSTRUCTIONS

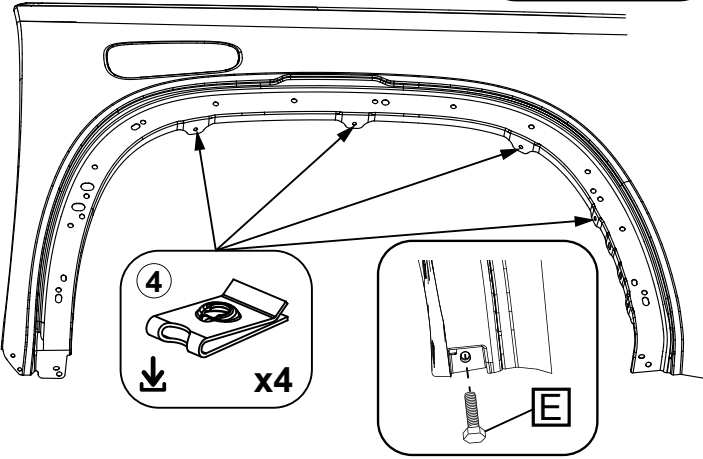
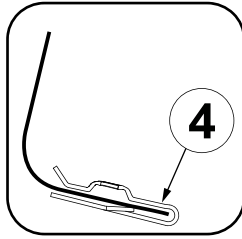
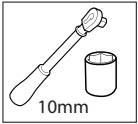


REAR FENDER FLARES INSTALLATION INSTRUCTIONS

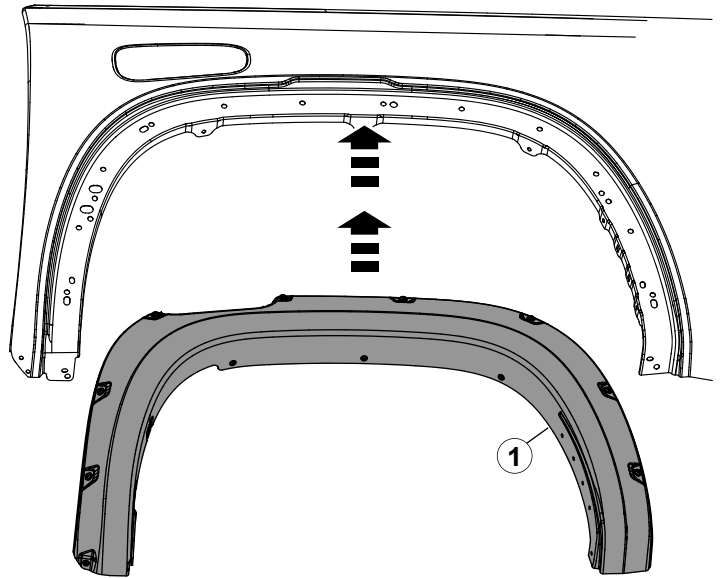


REAR FENDER FLARES INSTALLATION INSTRUCTIONS

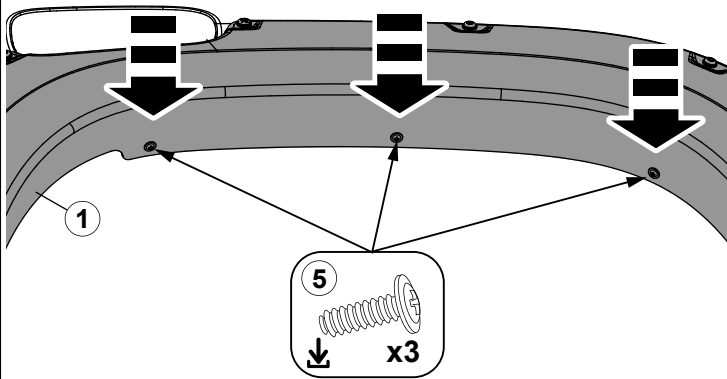
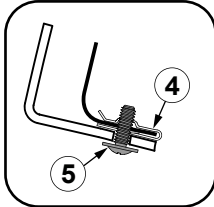
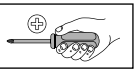
13



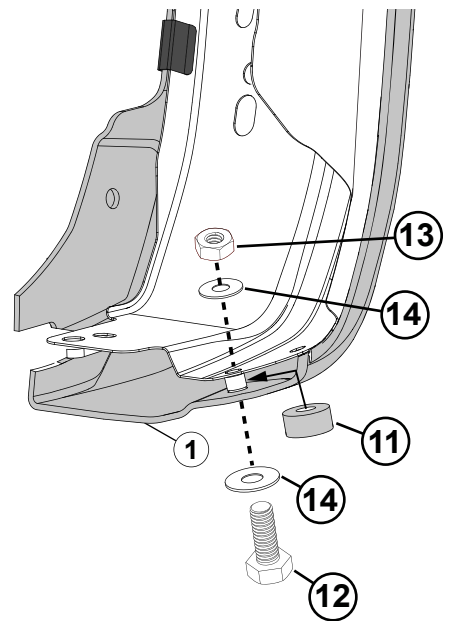
14



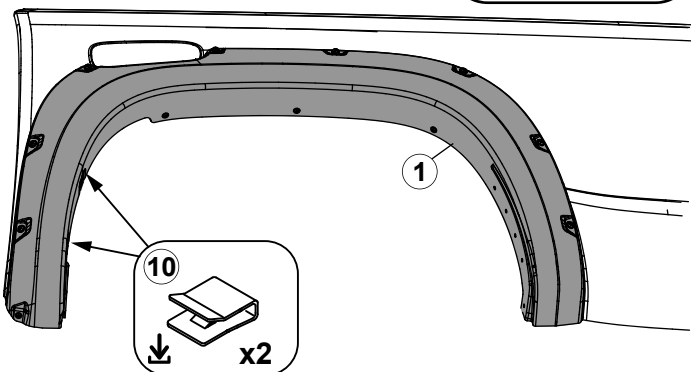
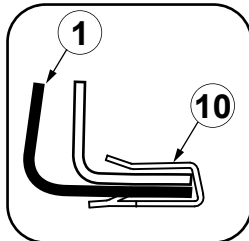
15



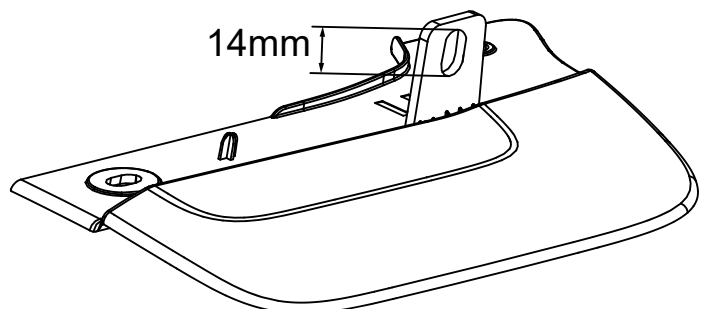
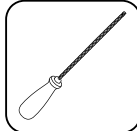
16



17

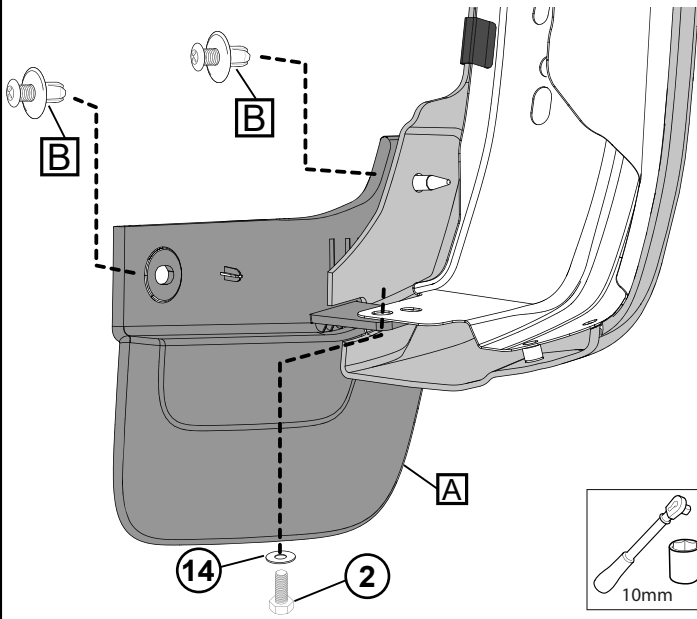
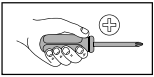


18

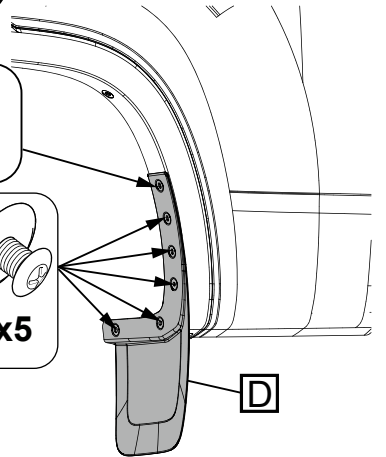
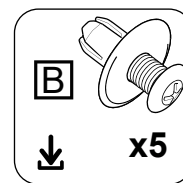
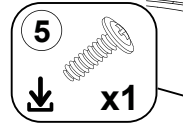
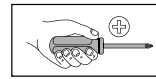
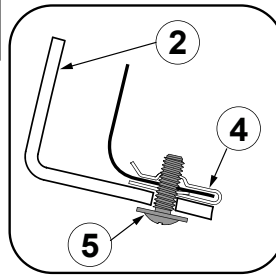


REAR FENDER FLARES INSTALLATION INSTRUCTIONS

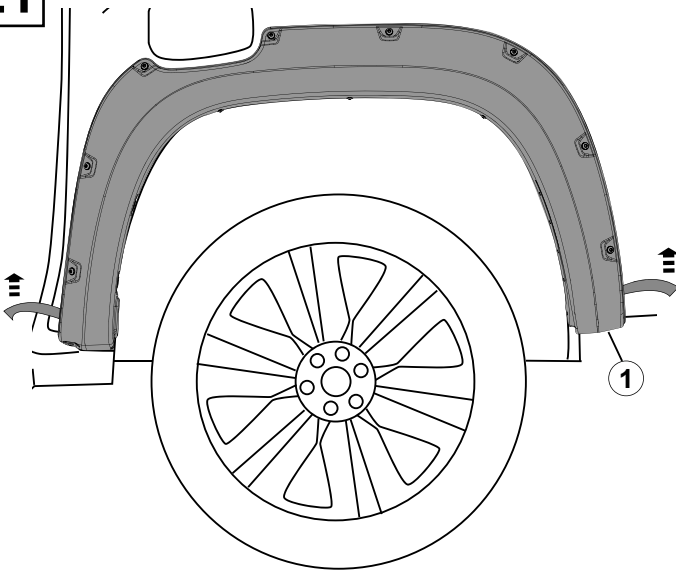
19



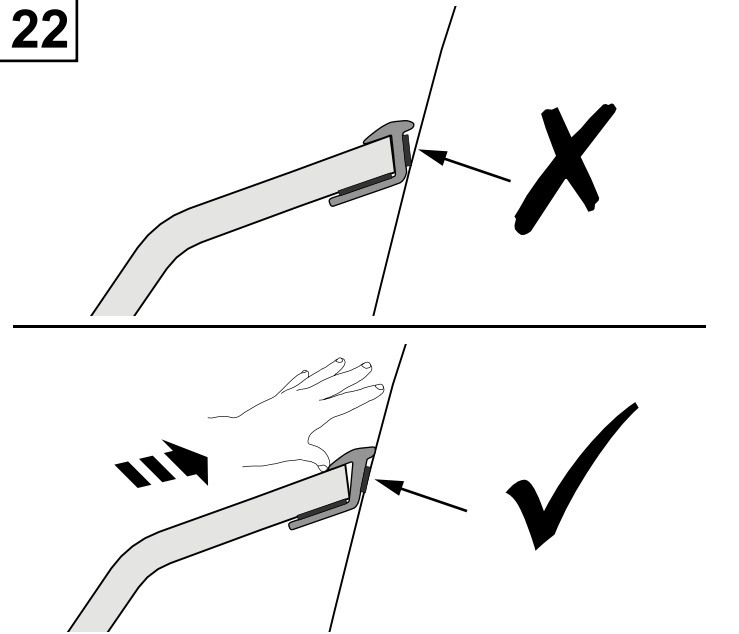
20



21



22



24 HOURS

