

WARNING!

When in the closed position, Aluminium Tonneau Cover must be latched and tailgate must be closed. Failure to do so could result in unexpected opening of the Tonneau Cover from sudden wind gusts or driving conditions, which could cause damage to the vehicle and/or your Aluminium Tonneau Cover.

Secure any items tall enough to strike the Tonneau Cover lock mechanism.

DO NOT close the Tailgate when the Aluminium Tonneau is in the closed position, as damage may occur to the vehicle and/or your Tonneau Cover.

Do not operate vehicle while cover is open.

MAINTENANCE:

- Avoid the use of chemicals to clean painted surfaces, wash regularly with car wash detergent, hose off and chamois dry. Aluminium top sheet finish can be maintained with briteshine polish or similar. Un-maintained product i.e. surface finish degradations not covered by warranty.
- The gas struts are self lubricating and should only be cleaned occasionally with a damp cloth. Premature seal failure will result if solvents or lubricants are used to clean struts.
- Gas struts must be connected with the cylinder (wide) end to the Aluminium Tonneau Cover or Warranty is Void.
- The locking mechanisms and latches only require occasional lubrication with Graphite Powder.
- DO NOT use any other lubricants or oils. Using alternative products will VOID Warranty.
- All installation hardware and fasteners must be checked every so often for tightness.

TONNEAU COVER - IMPORTANT:

- Read instructions carefully before installation. It is strongly recommended that installation is conducted by a qualified mechanic.
- This product must be installed exactly as specified in these instructions. Failure to do so may result in improper fit and/or retention.
- Do not stand/sit or rest heavy objects on Tonneau Cover.
- Humans or animals are not to be under the closed Tonneau Cover at any time.
- Securely latch Tonneau Cover before operating vehicle.
- Do not carry open volatile chemicals with Tonneau Cover installed.
- If contact with volatile chemicals occurs clean Tonneau Cover with mild detergent and water solution.
- Recommend installation by 2 people.
- Fitting Instructions must be given to the end customer to understand correct removal and replacement process onto the vehicle.

Care Instructions:



Clean Tonneau Cover with a mild detergent and water solution.



Do not use abrasive cleaners or solvents.

Tonneau Cover Assembly x1	Hinge Bracket x2	Striker Bracket x2	Striker x2
M10 Nut x8	M10 Washer x8	Gas Strut x2	Ball Stud x4
M8 Lock Nut x4	M8 Washer x2	Gas Strut Bracket x2	M6 Button Head Cap Screw x4
M6 Washer x4	Hinge Bracket Fixing Plate x2	4.8x14 Rivets x12	Tailgate Lock Bracket x2
4.8x20 Rivets x4	Rust Inhibitor		

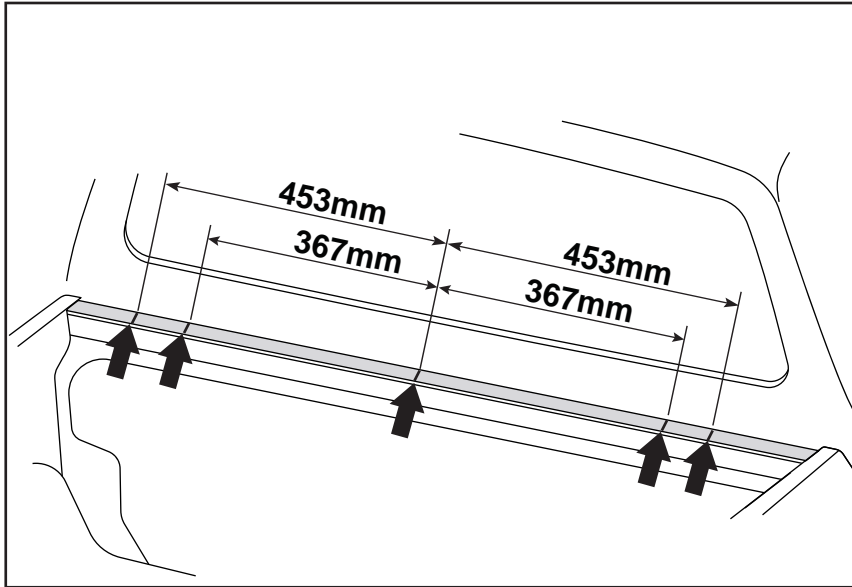
REQUIRED TOOLS | EQUIPMENT



- 13mm and 17mm Socket
- ½" Drive Ratchet + Extension Bar
- 8mm, 13mm and 17mm Spanner
- Power Drill
- 5mm Drill Bit
- 8 mm Drill Bit

- 4mm Allen Key
- Rivet Gun (air powered)
- Tape Measure
- Centre Punch
- Hammer
- Pencil / Marker

- Cleaning Materials
- Masking Tape
- Right Angle
- Rust Inhibitor
- Personal Protective Equipment:
Safety Glasses, Ear Plugs, Gloves
(Scissors, Silicone)* Optional



Step 1

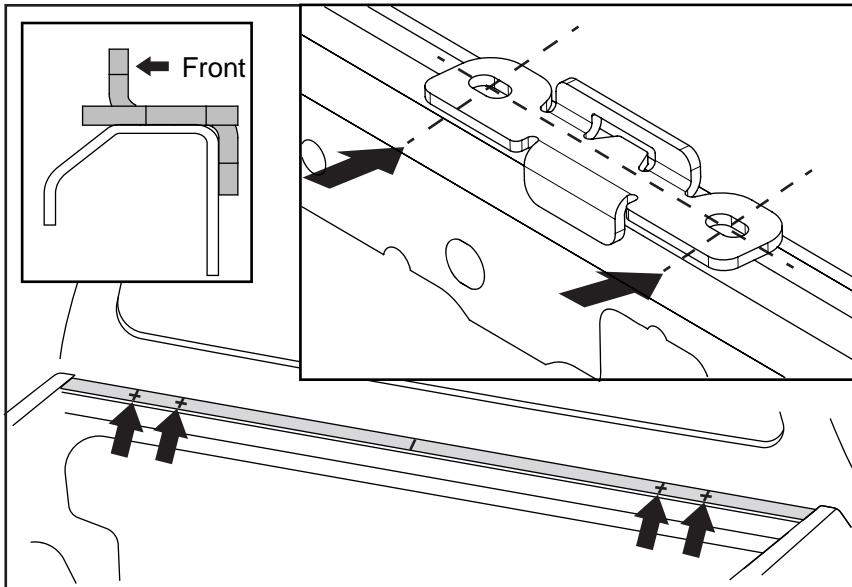
Required tools: Masking Tape, Marker Pen and Tape Measure.

- Clean the top surface of the tub.
- Apply masking tape on front rail top surface
- Accurately mark a line at the centre of the front rail.
- Mark 4 lines: 367mm and 453mm either side of the centre line.

Note: This instruction is for plain tub installation only. If tub liner is fitted, the liner will need to be trimmed to allow correct installation of the tonneau cover brackets and hinges. No spacers or additional media allowed between hinges/brackets and the vehicle tub.

Note:

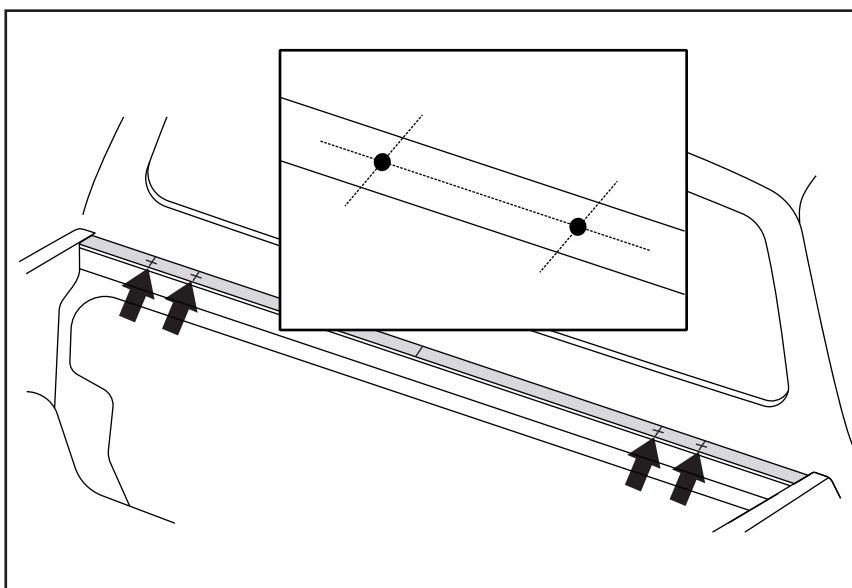
If fitted, cabin guard must be removed.
If installed, utility-track must also be removed.



Step 2

Required tools: Masking Tape, Marker Pen and Tape Measure.

- Push the Hinge Bracket to the front till it sits hard against the tub as shown in the section view.
- Position Hinge Bracket to marked lines and mark the slot centres.
- Repeat for both sides.

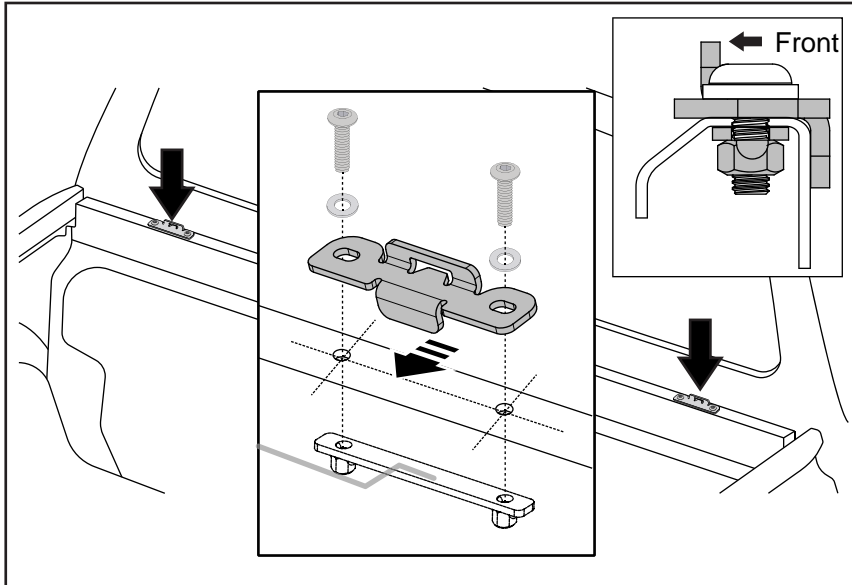


Step 3

Required tools: Power drill, 8mm drill bit and drill bit stopper, centre punch, hammer.

- Centre punch the two hole locations.
- Drill holes using a 8mm drill bit.
- Remove drill burr from the holes.
- Apply rust inhibitor to the drilled holes.
- Repeat for other side.

Note: Use drill stopper set at 10mm to avoid drilling too deep.

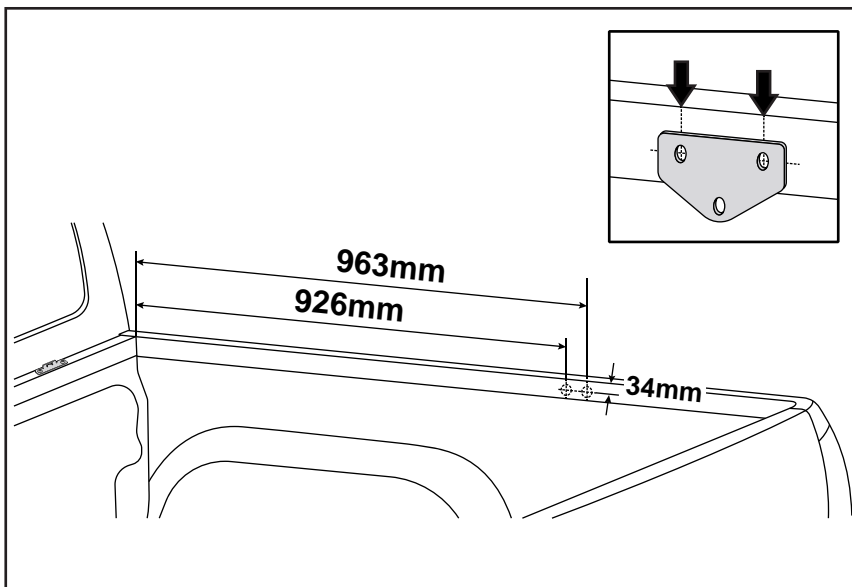


Step 4

Required tools: 4mm Allen Key.

- Position hinge bracket fixing plate inside the tub front rail, holding it by the wire to allow positioning the plate under the holes.
- Position hinge bracket and secure with supplied M6 bolts, washers to the hinge fixing bracket. Finger tighten only.
- Repeat for both sides.

Note: Bend attached fixing plate wire as required to aid installation.

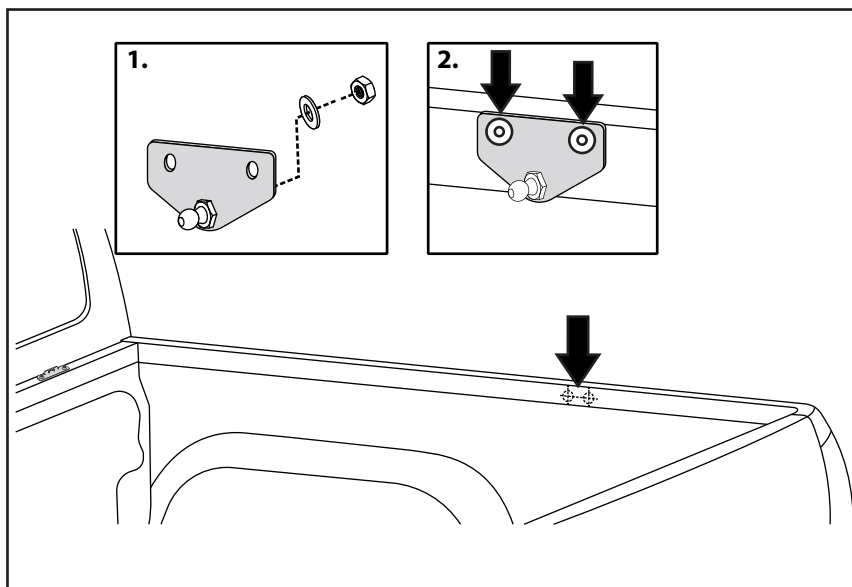


Step 5

Required tools: Masking Tape, Marker Pen, Tape Measure, Power drill, 5mm drill bit and drill bit stopper, centre punch, hammer.

- Apply masking tape to the side rail inner surface and measure 926mm and 963mm from the front rail inner surface, and mark location.
- Mark a line 34mm from the top edge of the side rail, crossing both lines.
- Align Gas Strut Bracket with marked lines to confirm hole locations.
- Centre punch the two hole locations.
- Drill holes using a 5mm drill bit.
- Remove drill burr from the holes.
- Apply rust inhibitor to the drilled holes.
- Repeat for other side.

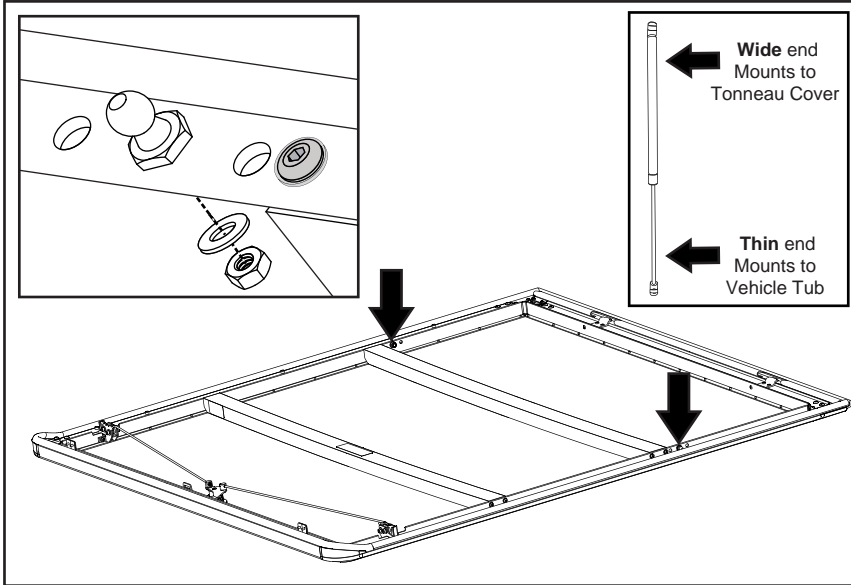
Note: Use drill stopper set at 10mm to avoid drilling too deep.



Step 6

Required tools: Rivet gun, 13mm spanner and 13mm socket and driver.

- Install the ball stud to the bracket and tighten it to 20.0 Nm.
- Install the gas strut bracket with supplied 4.8x14mm rivets.
- Repeat for both sides.



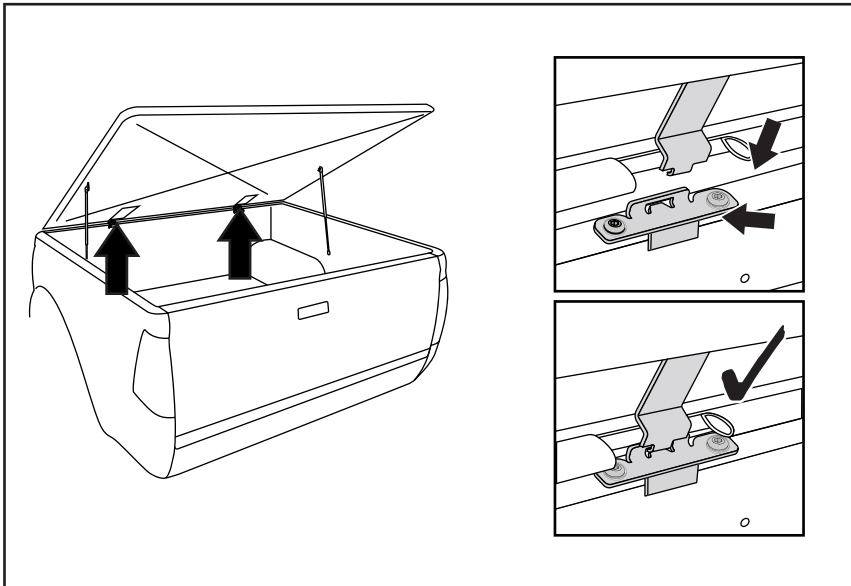
Step 7

Required tools: 13mm spanner, 13mm socket and driver.

- Install the ball stud with supplied nut and washer in the middle hole of the Tonneau. (Ball Stud to outside).
- Connect the wide end of gas strut by pressing it onto the ball stud.
- Repeat for both sides.

Note: The opening height of the tonneau cover can be adjusted by fixing the ball studs in either holes illustrated.

Note: Ensure the gas strut is installed in the correct orientation as shown. The wide end connects to the Tonneau cover.

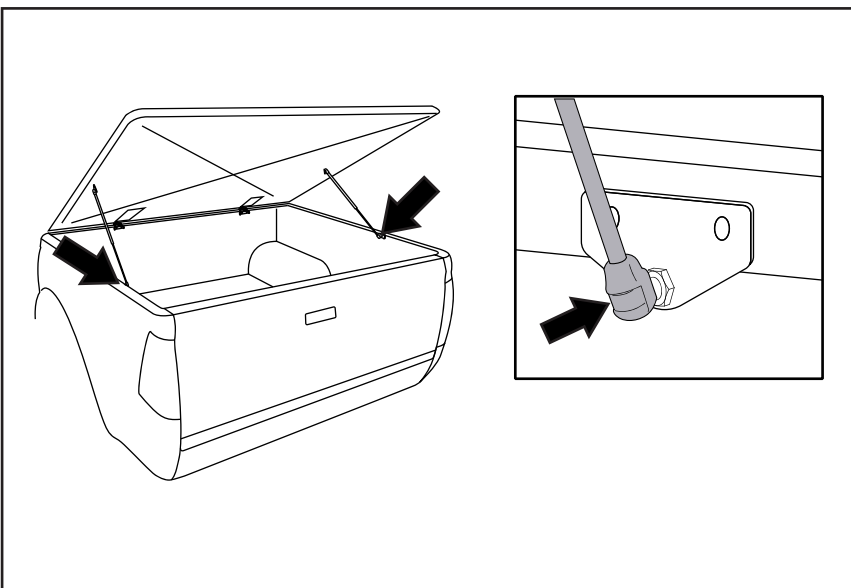


Step 8

Important: Place piece of cardboard between the tub and cabin to protect the paint during the installation of the tonneau cover.

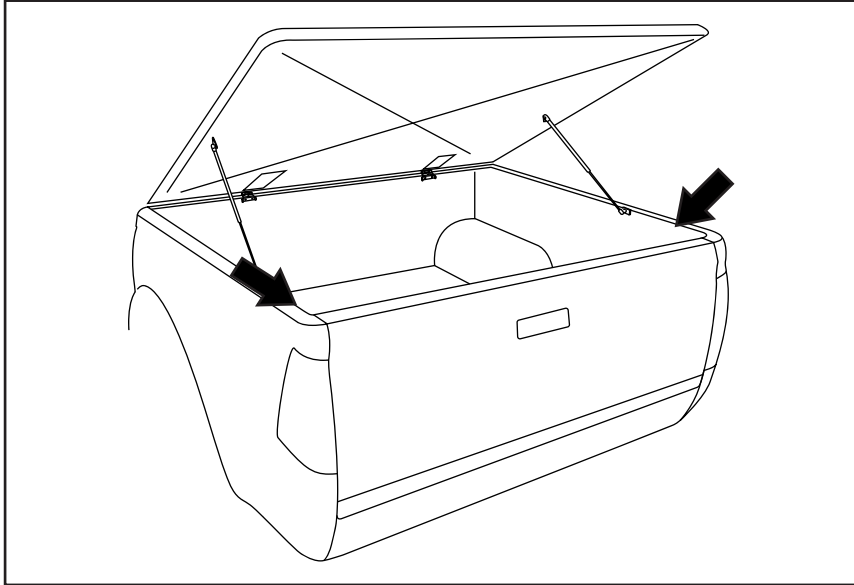
- Install the cover by letting the hinge tongue to rest on front of the hinge groove while holding the cover in a 60° angle.
- Move the cover toward the vehicle cabin to slide the tongue to the groove, ensure hinge parts fully engage.
- **Do not lower the cover yet.**

Note: When lowering the cover, ensure the front seal is not crushed between the front rail and the cover.



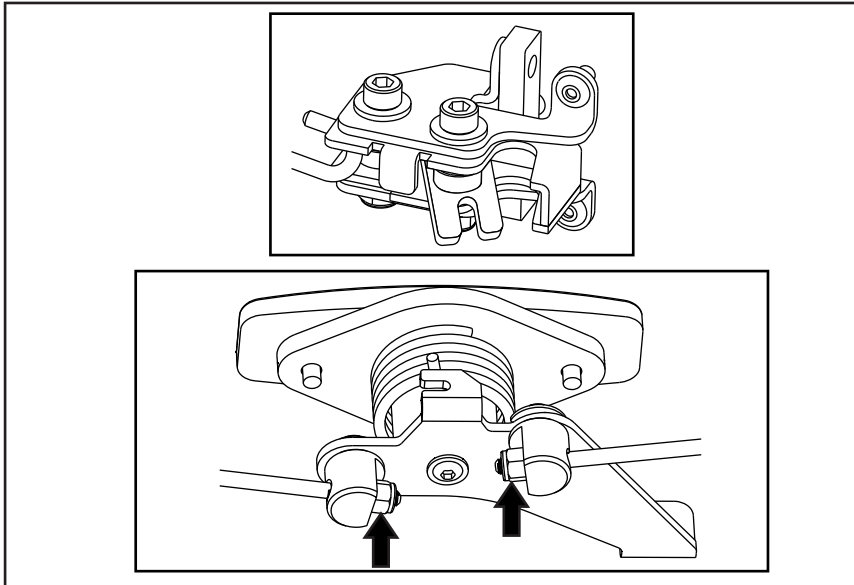
Step 9

- Attach gas struts to brackets by clipping into place. Ensure narrow end mounts to the vehicle.

**Step 10**

- Close the cover by pulling from the handle and slowly close it while checking that the cover is correctly lined up to the tub and the latch mechanisms are not touching the tub's side rails.
- Once confirmed the cover is lined up correctly, leave it fully open.

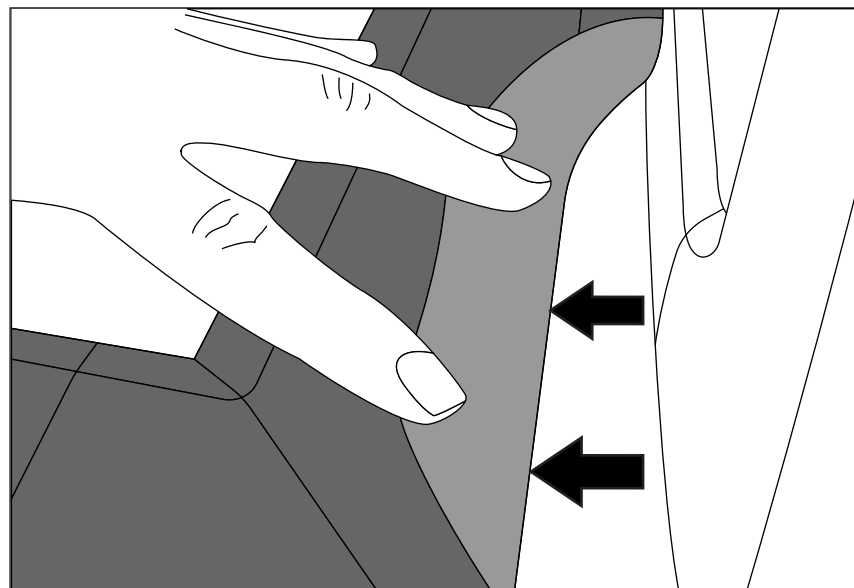
Note: If the cover does not line up correctly, move hinge parts mounted to the front rail forward or backward, one at the time.

**Step 11**

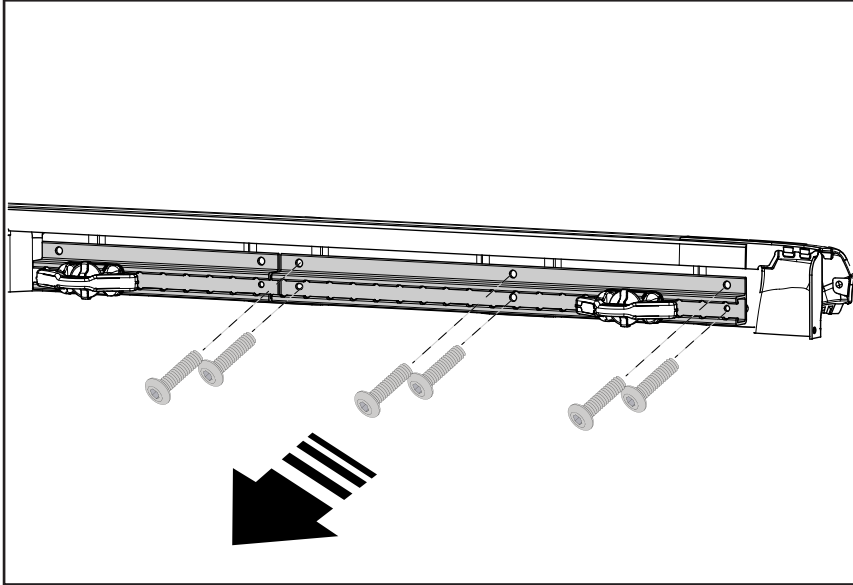
Required tools: 8mm Spanner.

- While the cover is open and tailgate is open. Press the latch rotor to closed position, both sides.
- Rotate the handle slowly to clock-wise, ensure both latches disengage at the same time. Adjustment may be required.

Note: Mechanism can be adjusted by tightening or loosening the latch rod M5 nuts from underneath the cover.

**Step 12**

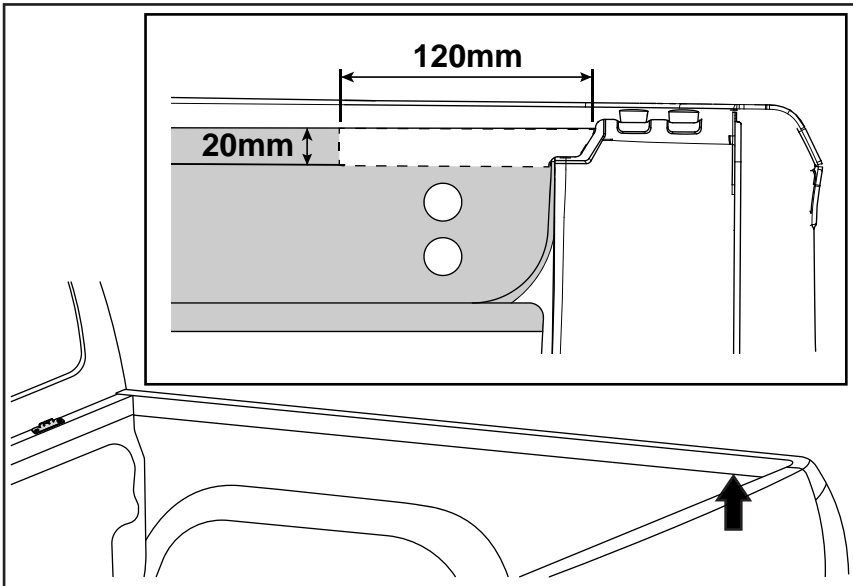
- While the cover is open, check the front seal's lip is not trapped between the cover and the front rails by bending it up.



Step 13 (Optional - if fitted).

Required tools: 8mm Spanner.

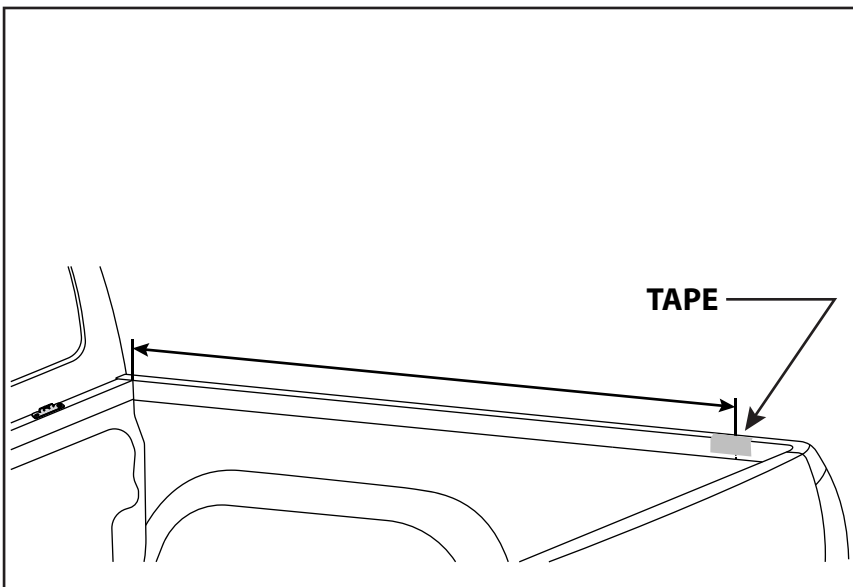
- Remove and retain the rear Utility Track.



Step 14 (Optional - if fitted).

Required tools: Masking Tape, Marker Pen, Tape Measure, Tin Snips.

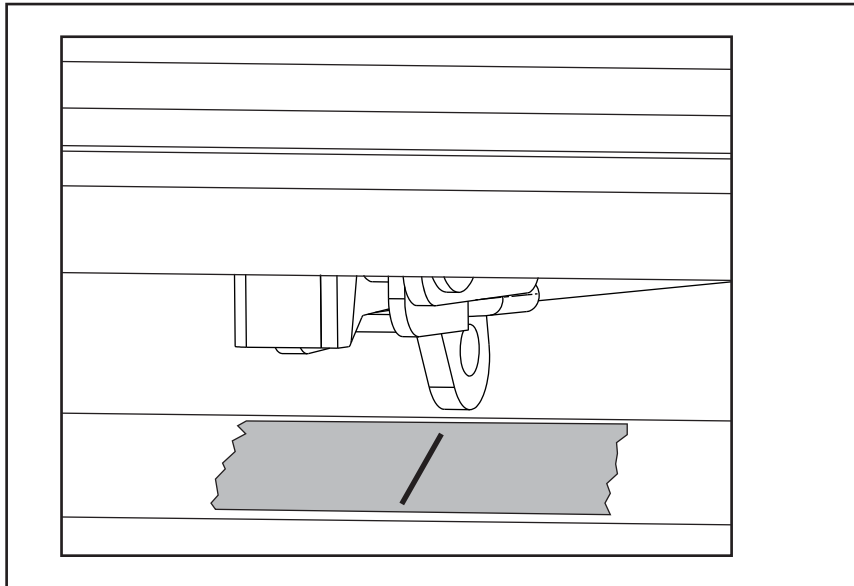
- Apply masking tape to the rear section of the tubliner and cut section 120x20mm using tin snips.



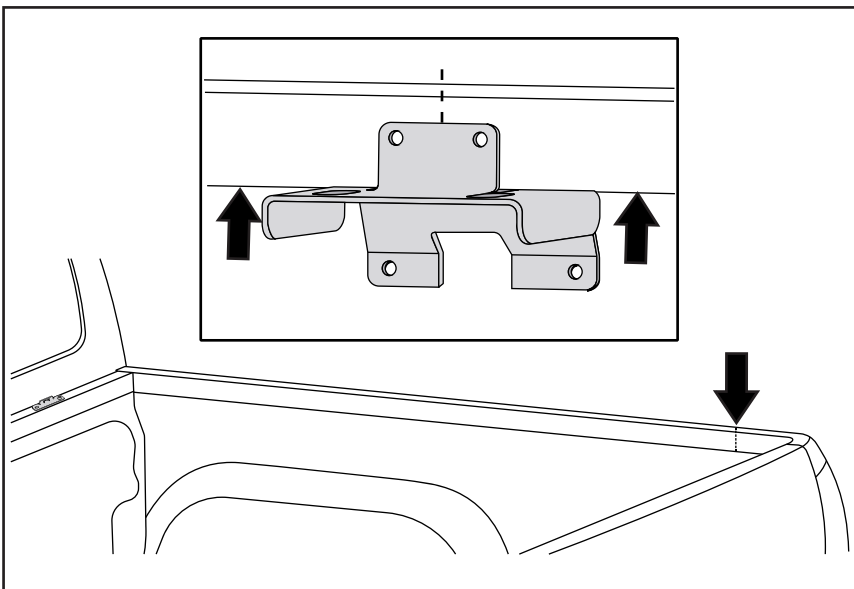
Step 15

Required tools: Masking Tape, Marker Pen and Tape Measure.

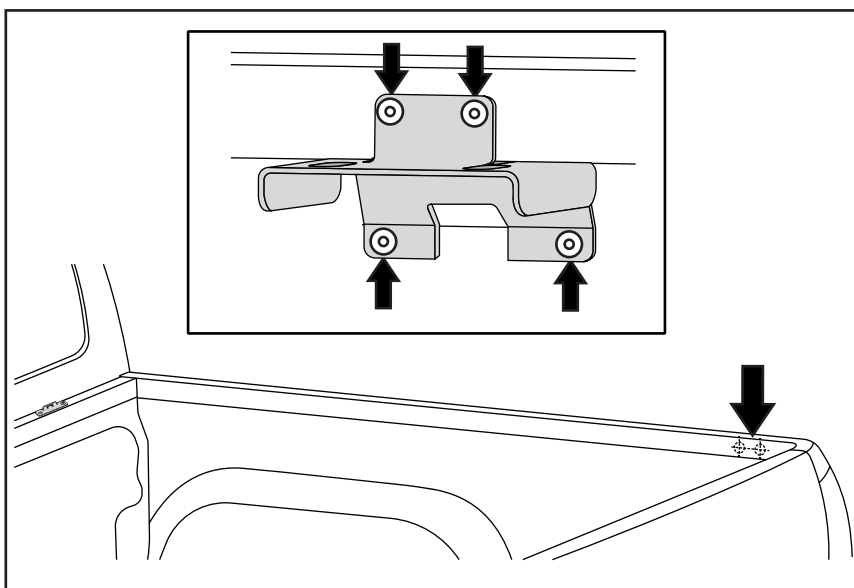
- Apply masking tape to the rear section of the side rails and side wall below at approximately 1250mm from the front tub rail.

**Step 16****Required tools:** Marker Pen

- Lower the tonneau cover. Mark the centre of the tonneau cover latch on the masking tape on the top surface of the side rail.
- Do this for both sides.

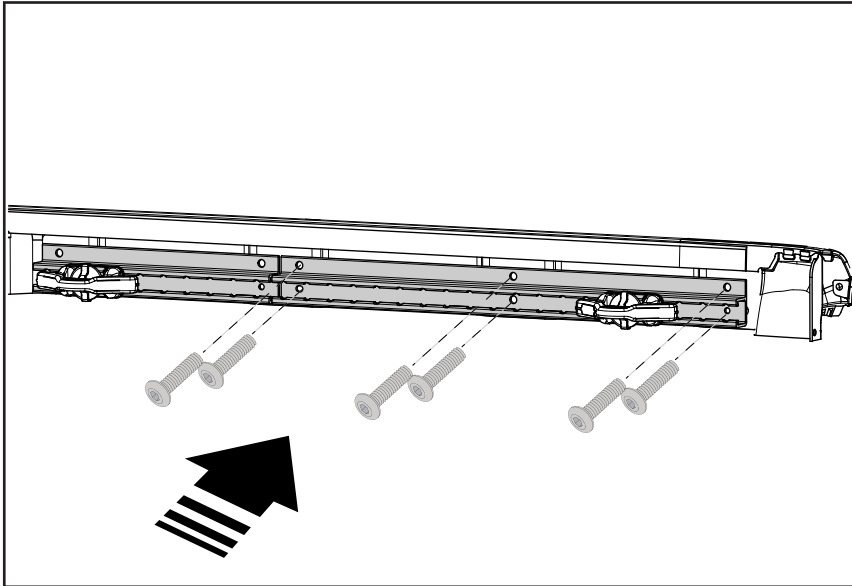
**Step 17****Required tools:** Marker Pen

- Align the centre of the striker bracket with the previously marked line and hold up against the underside of the side rail as shown.
- Mark the four hole locations, using the bracket as template.
- Do this for both sides.

**Step 18****Required tools:** Power drill, 5mm drill bit and drill bit stopper, centre punch, hammer, rivet gun.

- Centre punch the four hole locations.
- Drill holes using a 5mm drill bit.
- Remove drill burr from the holes.
- Apply rust inhibitor to the drilled holes.
- Install the bracket using supplied 4.8x14mm rivets.
- Repeat for other side.

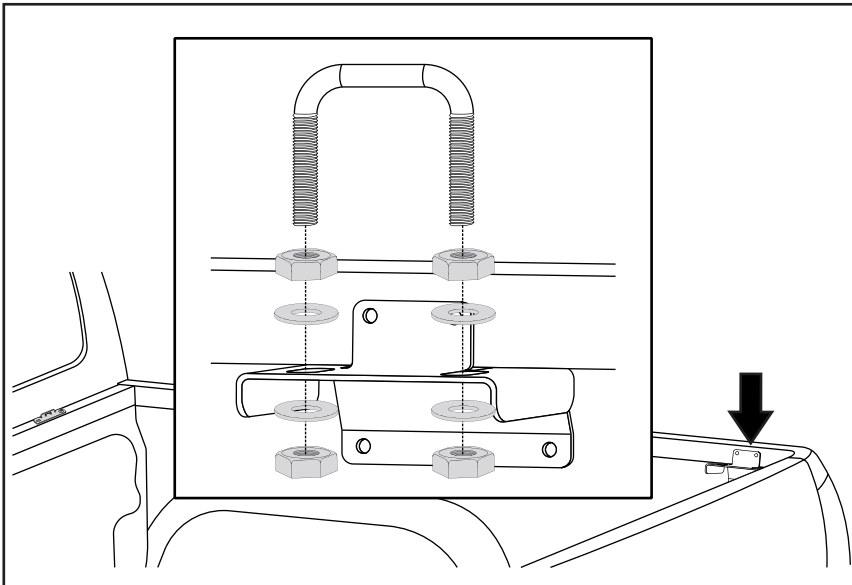
Note: Use drill stopper set at 10mm to avoid drilling too deep.



Step 19 (Optional - if fitted).

Required tools: Allen Key set.

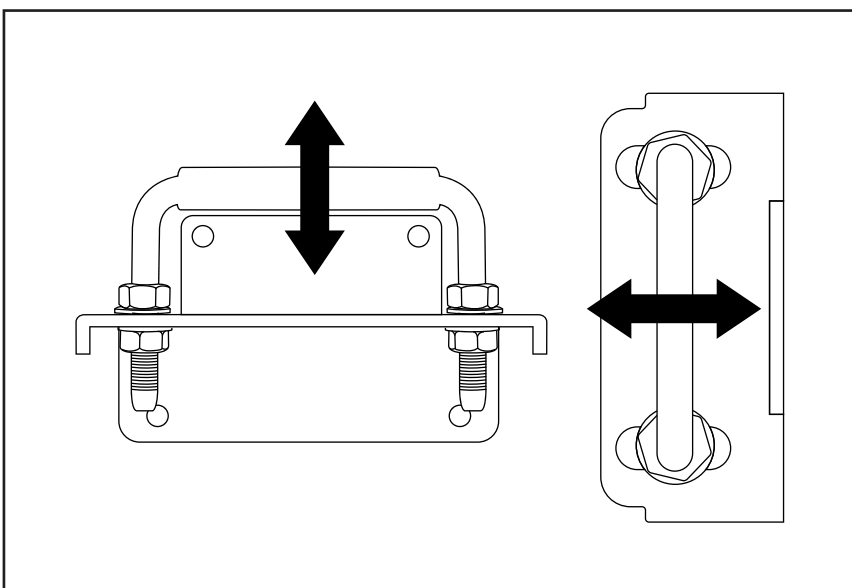
- Refit the rear Utility Track.



Step 20

Required tools: 17mm spanner, 17mm socket and driver.

- Install the striker to the striker bracket using supplied hardware.
- The striker should line up with the top surface of the side rails, fine adjustment required.
- Repeat for other side.

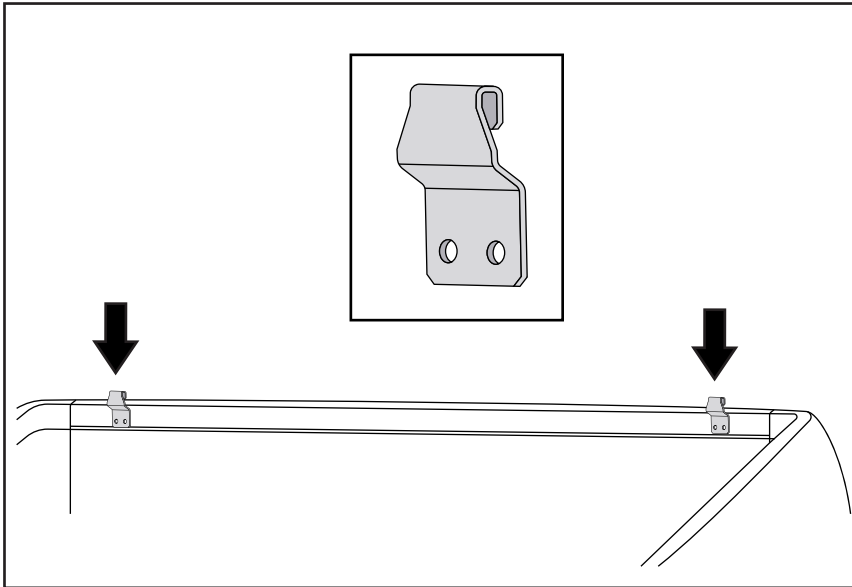


Step 21

Required tools: Masking Tape, Marker Pen and Tape Measure.

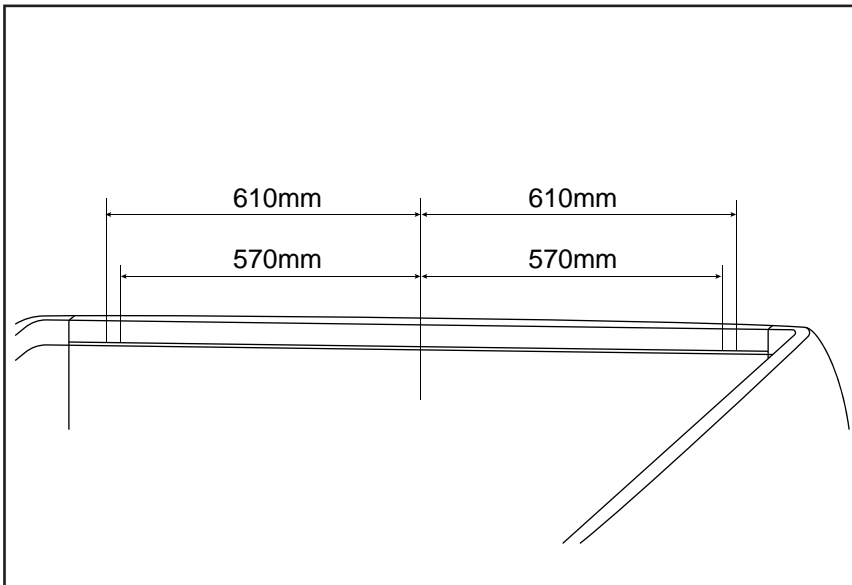
- Slowly close the cover and move the striker sideways to line it up with the latches. Ensure both sides are lined correctly.
- Adjust the striker height correct by first closing the cover and measuring the gap between the cover and side rails top surface. The gap should be 9.0 mm at the rear, adjust strikers accordingly.
- Tighten the striker nuts to 30.0Nm.

Note: Do Not Close the tailgate.



Step 22 (Optional - Tailgate Locking Brackets)

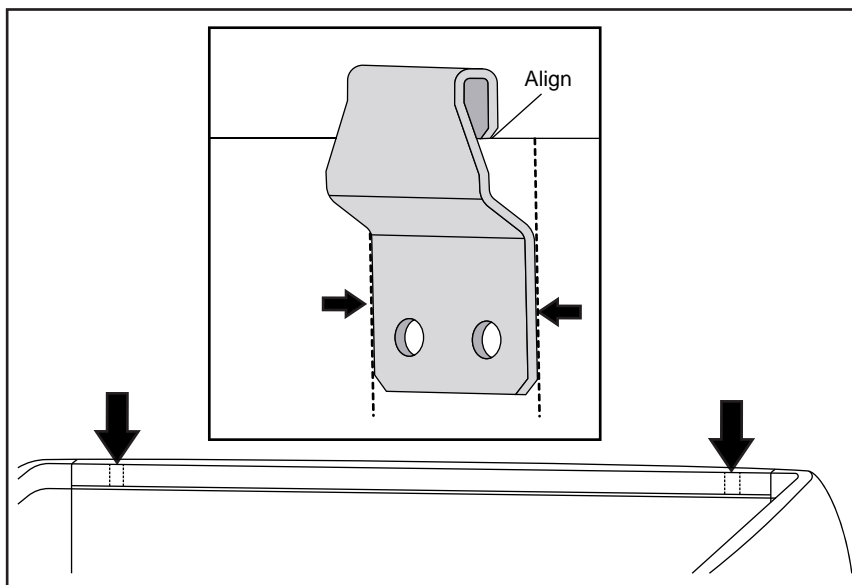
Note: Tailgate locking brackets are included for added security, if you do already have tailgate lock installed or do not require this feature, please go to step 27.



Step 23 (Optional - Tailgate Locking Brackets)

Required tools: Masking Tape, Marker Pen and Tape Measure.

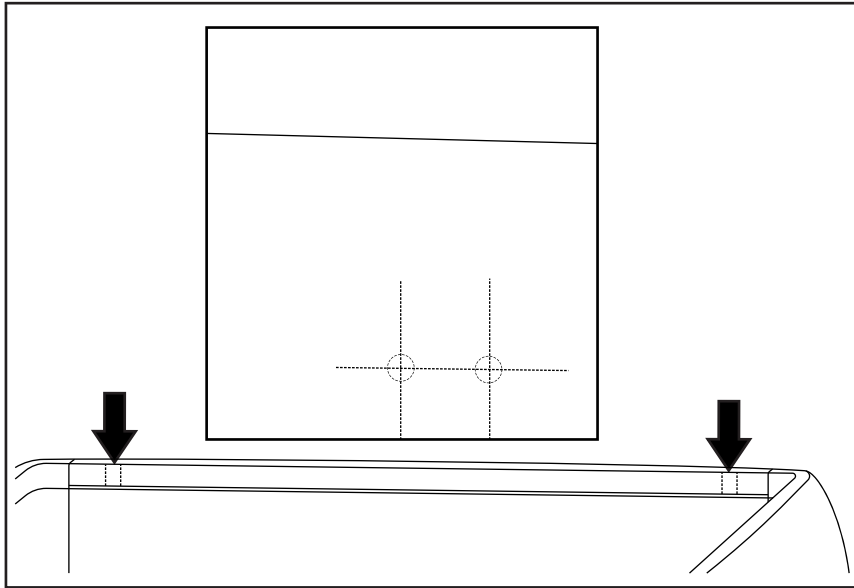
- Apply masking tape on both corner of the tailgate top surface and first 30 mm of inner surface.
- Mark a centre line accurately.
- Mark a line 570mm either side of the centre line.
- Mark a line 610mm either side of the centre line.



Step 24 (Optional - Tailgate Locking Brackets)

Required tools: Marker Pen

- Align tailgate lock bracket between the marked lines, while aligning the inner edge of the bracket with the top edge of the tub side rail.
- Mark the hole locations, using the bracket as a template.
- Repeat for the other side.

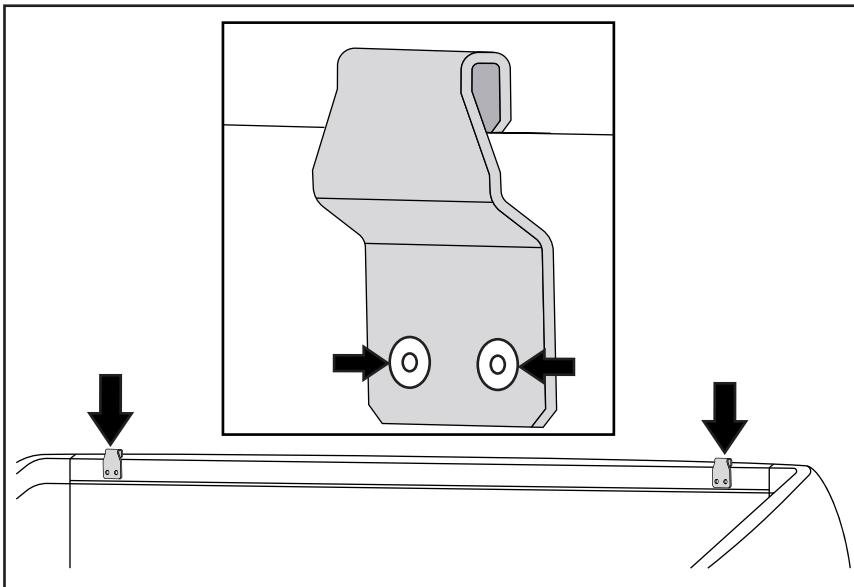


Step 25 (Optional - Tailgate Locking Brackets)

Required tools: Centre punch, hammer, drill, 5mm drill bit, drill bit stopper.

- Centre punch the four hole locations.
- Drill holes using a 5mm drill bit.
- Remove drill burr from the holes.
- Apply rust inhibitor to the drilled holes.

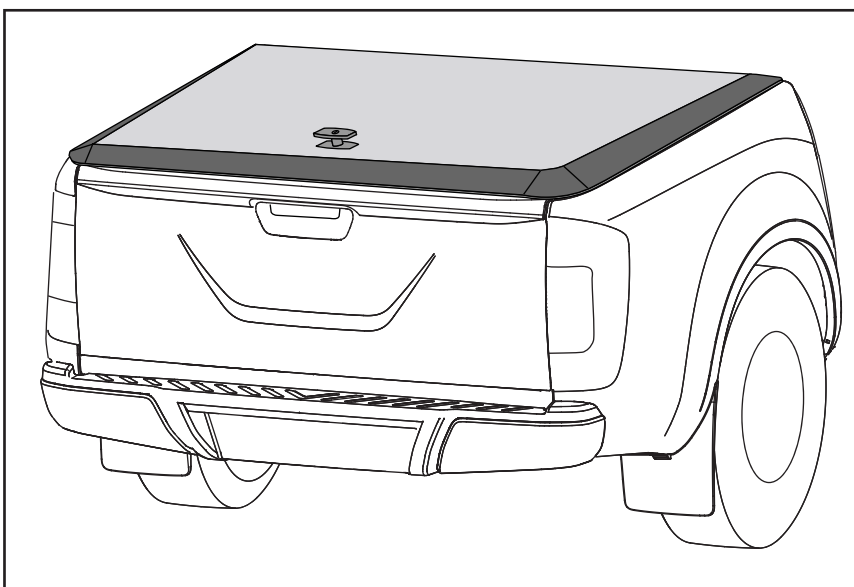
Note: Use drill stopper set at 10mm to avoid drilling too deep.



Step 26 (Optional - Tailgate Locking Brackets)

Required tools: Rivet gun.

- Install the tailgate lock brackets with supplied 4.8x20 rivets.



Step 27

Note: Ensure the keys do not get locked inside the tub.

- Ensure all the parts are correctly installed.
- Open the tailgate.
- Close the cover slowly and ensure locking mechanism functions correctly. Repeat 2-3 times.
- Fully open the cover.
- Close the cover again slowly ensuring the tailgate lock brackets are lined up correctly (if installed) and the cover closes fully.