

FORD RANGER MY22 →

Important



- Read instructions carefully before installation.
- It is strongly recommended that installation is conducted by an authorized dealer.
- This product must be installed exactly as specified in these instructions. Failure to do so may result in improper fit and/or retention/failure of components.

PERSONAL PROTECTIVE EQUIPMENT:



Mask



Rubber Gloves



Goggles



Hearing Protection

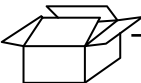
Care Instructions:



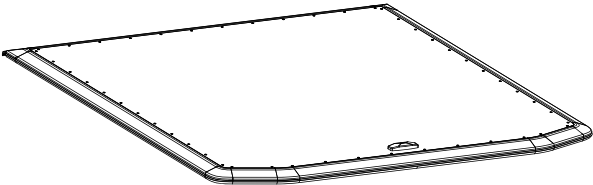
Clean with a mild detergent and water solution.



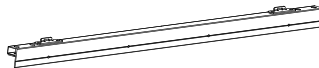
Do not use abrasive cleaners or solvents.



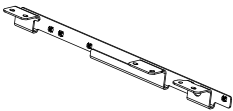
1 (x1)



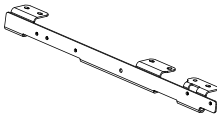
2 (x1)



3 (x1)



4 (x1)



5 (x1)



M6

6 (x1)



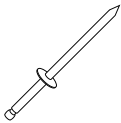
M6

7 (x1)



M6 (large)

8 (x4)



M8 Torx Head

9 (x16)



10 (x12)



M8 (Large)

11 (x14)

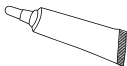


M8

12 (x2)



13 (x1)



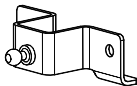
Anti-Rust

14 (x2)



Foam

15 (x2)



16 (x8)



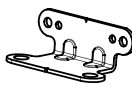
M6 (small)

17 (x8)



M6x20

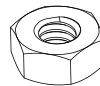
18 (x2)



19 (x2)



20 (x8)

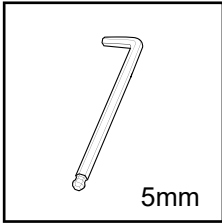
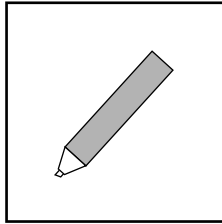
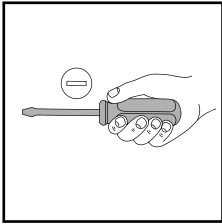
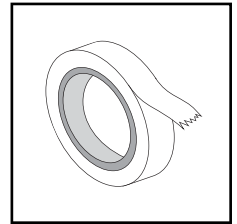
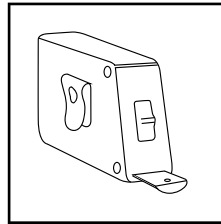
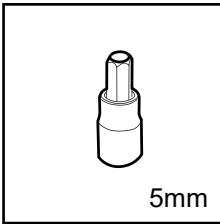
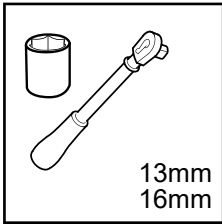
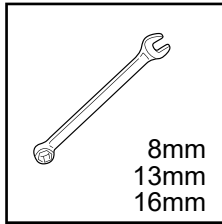
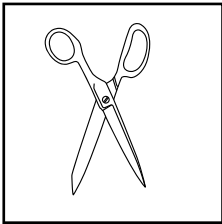
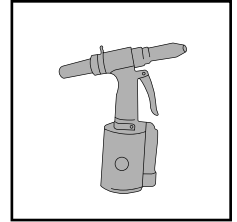
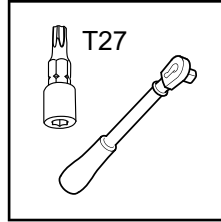
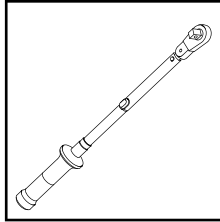
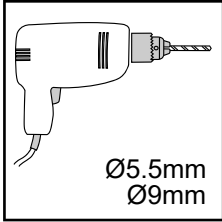
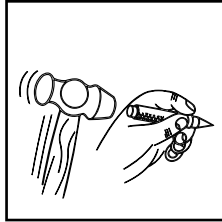
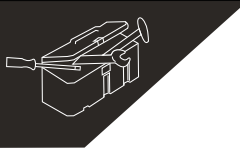


M10

21 (x8)



M10



GLOSSARY



: Vehicle Part



: Sequence



: Part Provided



: Torque Setting



: Even Space



: Reuse



: Discard



: Complete for Both Sides



: Two People



: Check



: Caution



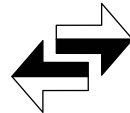
: Clean



: Location



: Loosen



: Adjust



: Install & Remove



: Equal



: Disconnect



: Connect



: No Torque

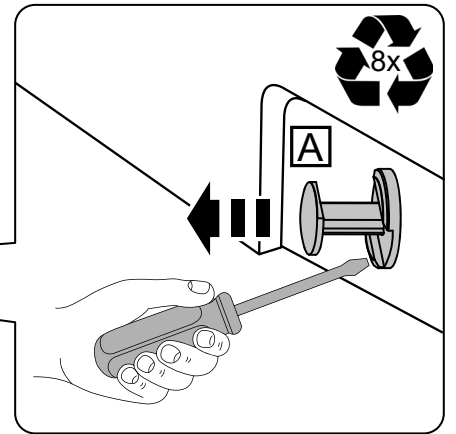
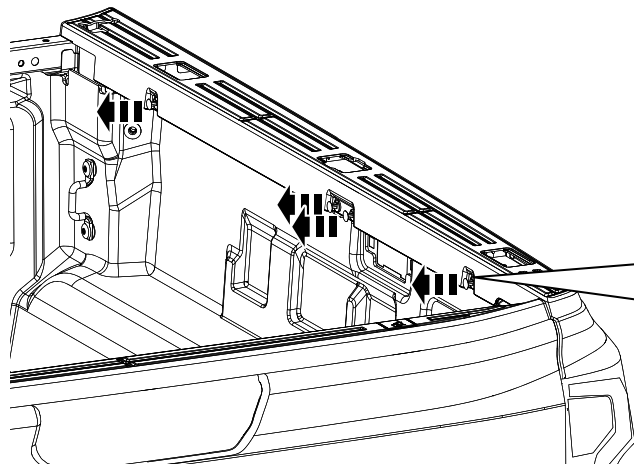


: Lock

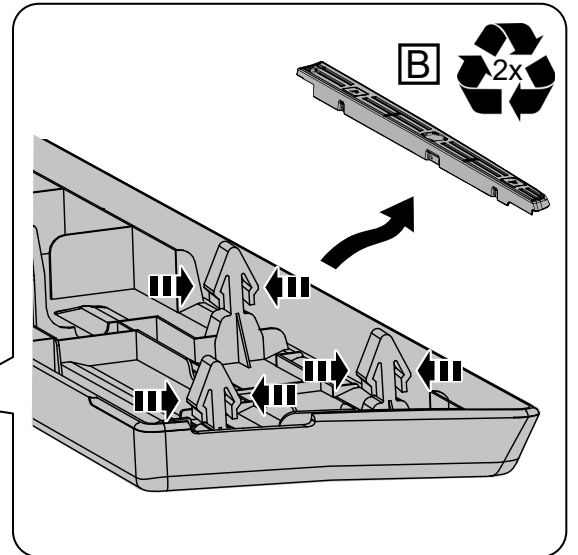
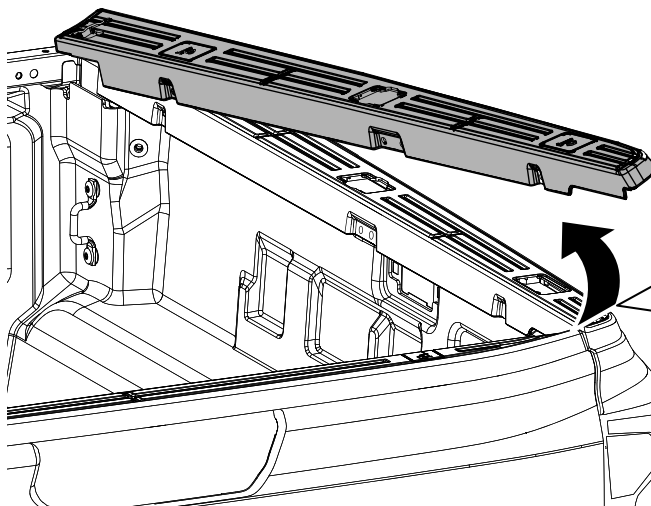


: Unlock

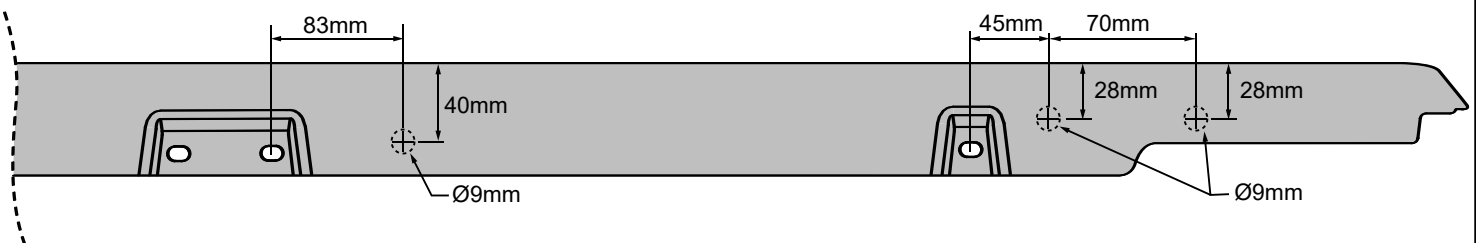
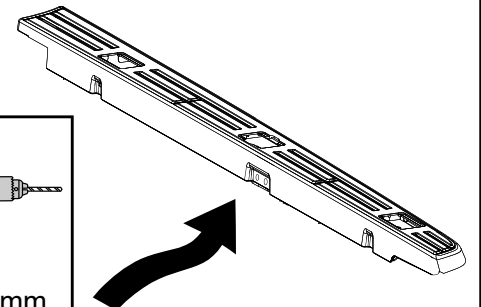
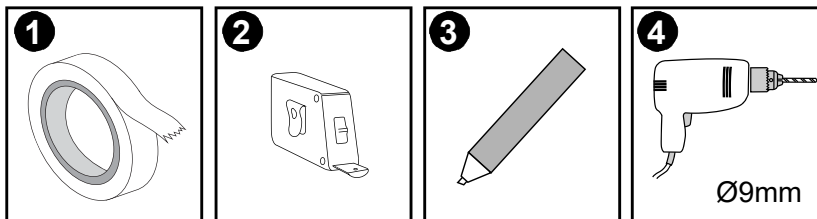
1



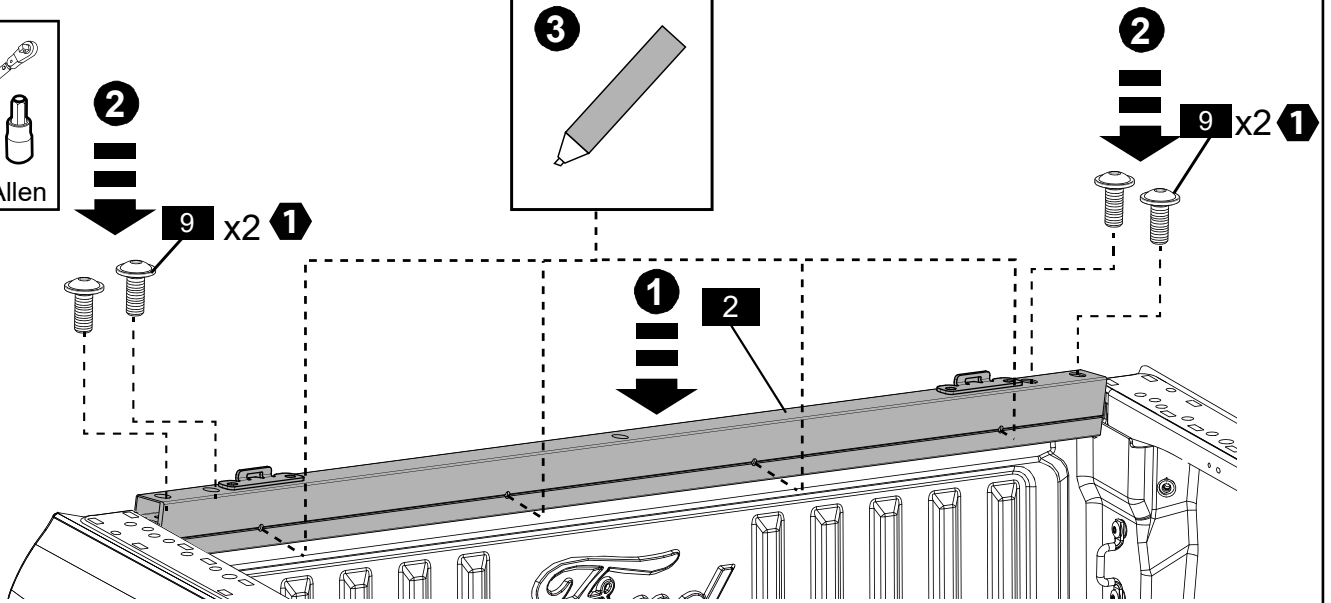
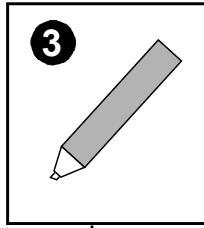
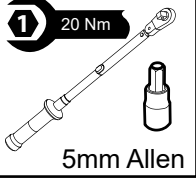
2



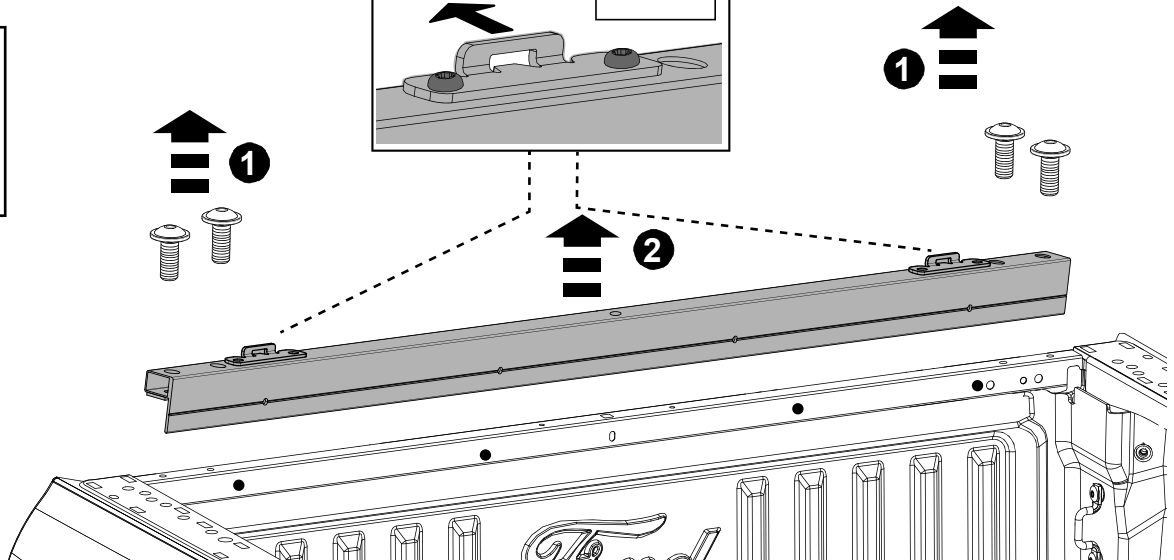
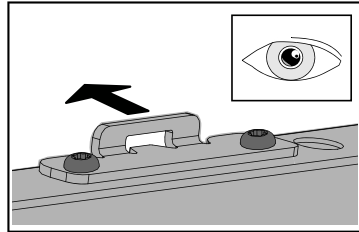
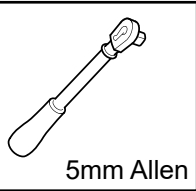
3



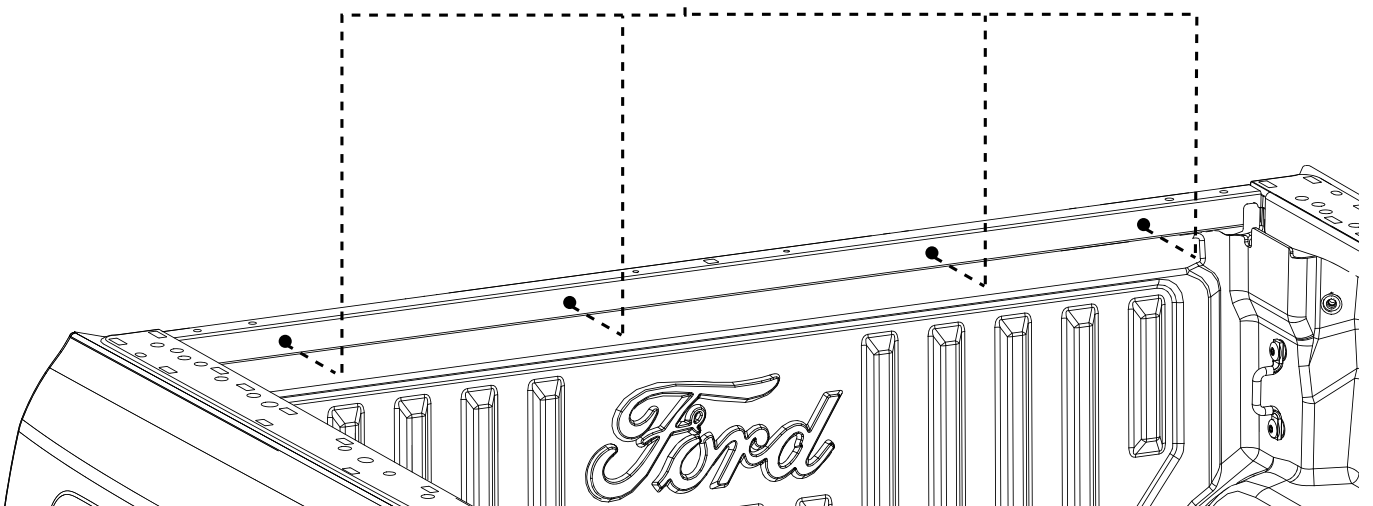
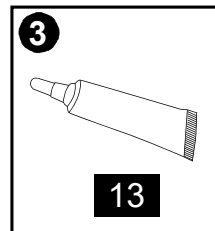
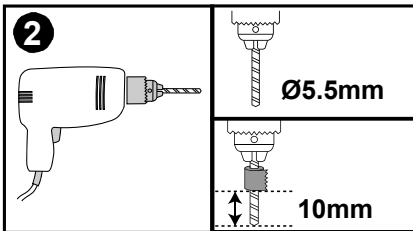
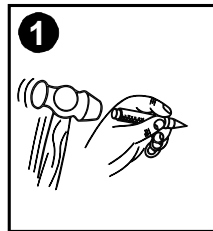
4



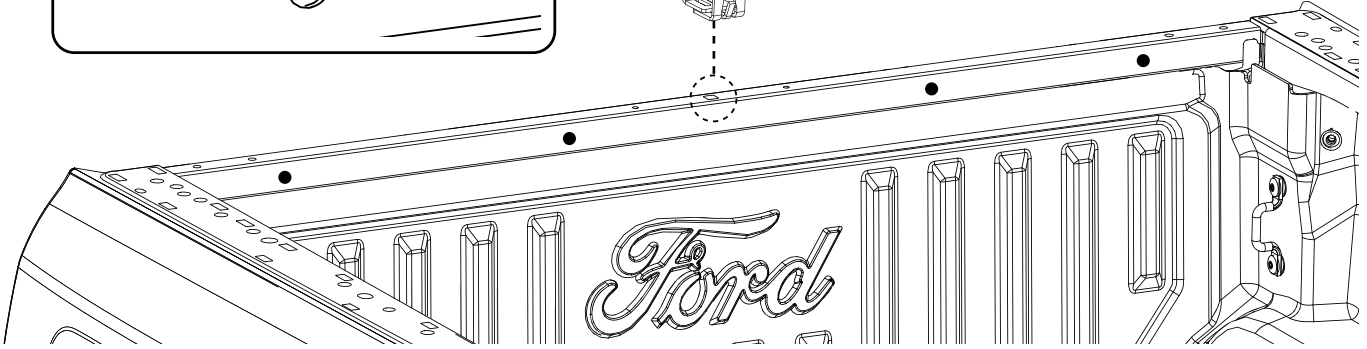
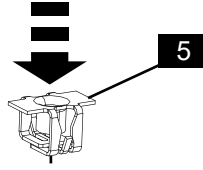
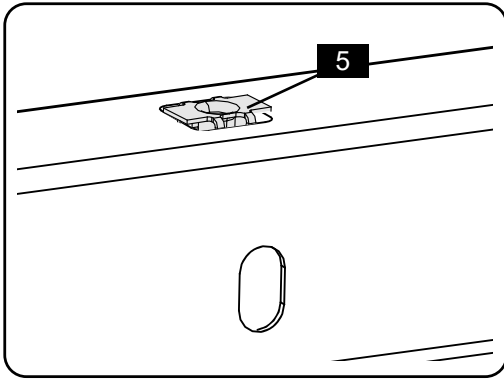
5



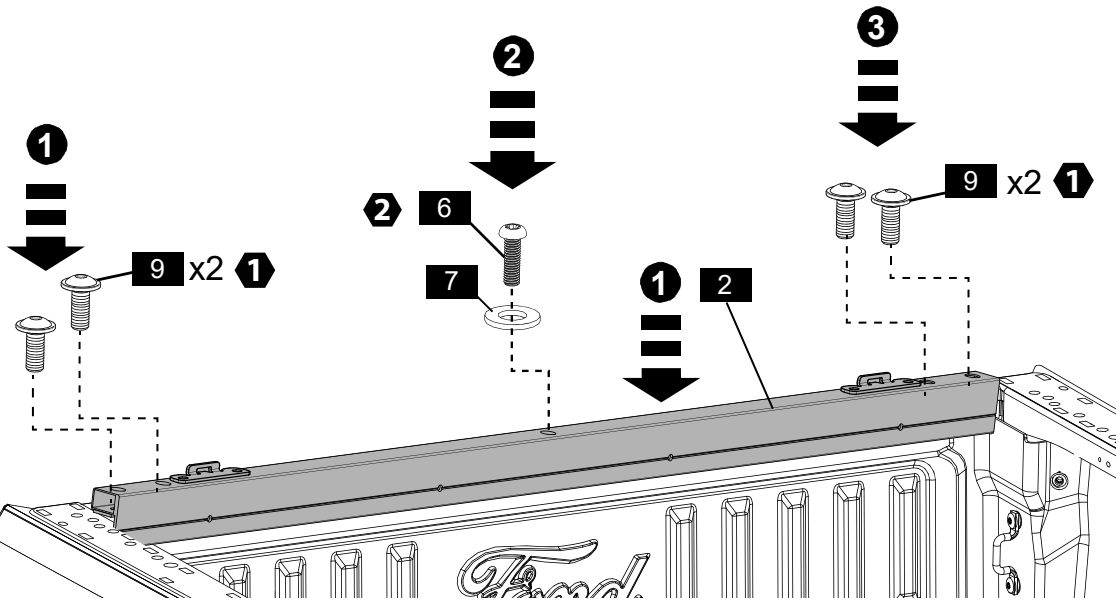
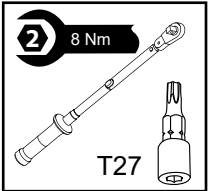
6



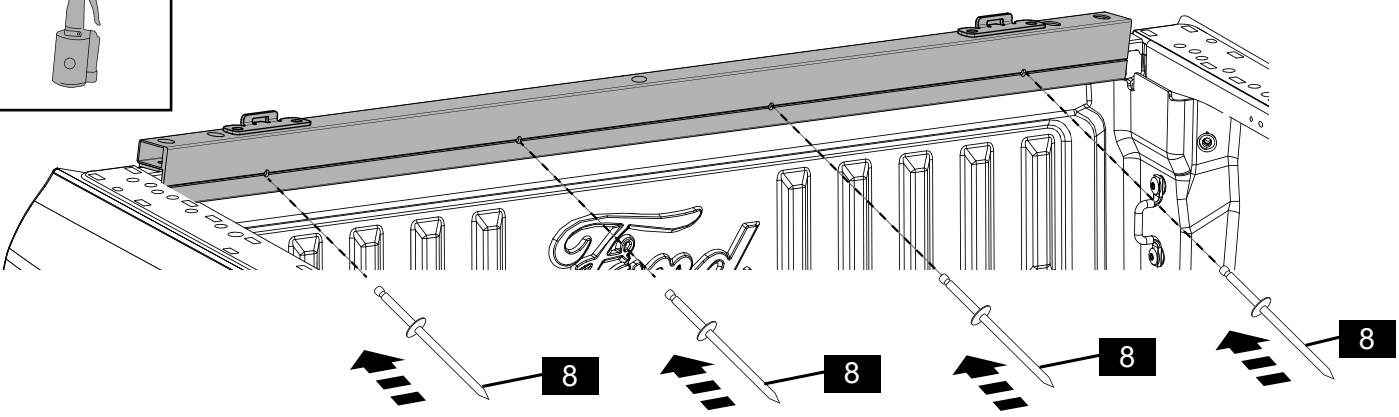
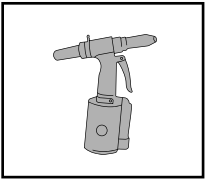
7



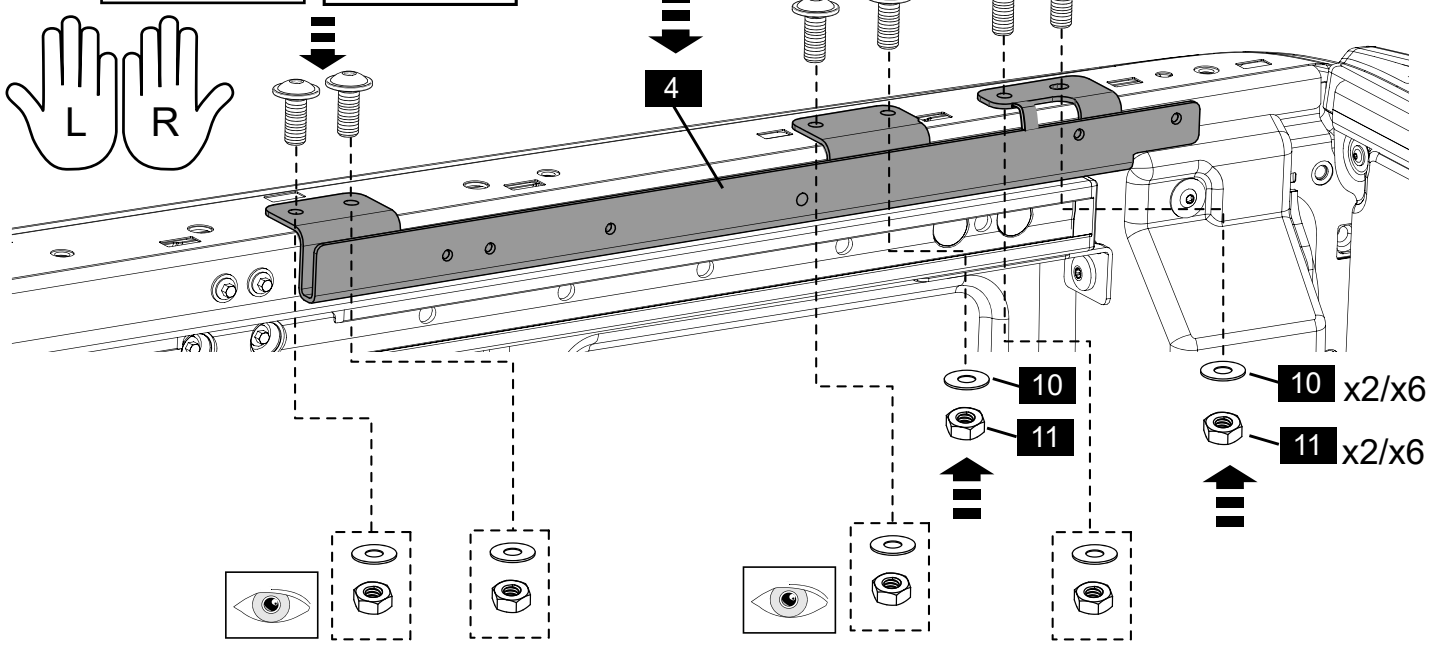
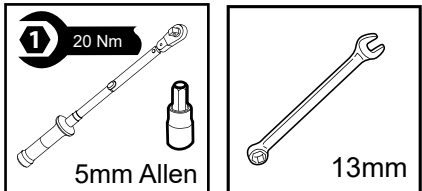
8



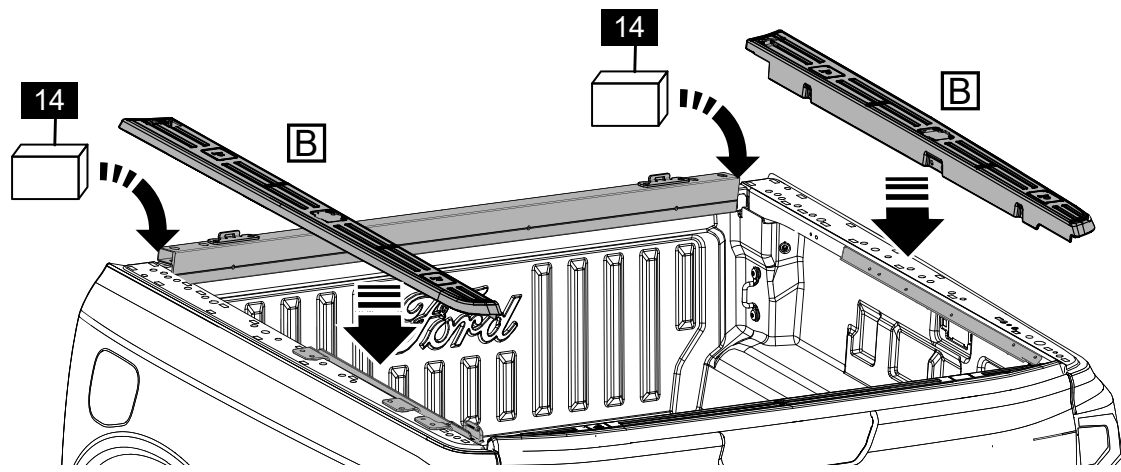
9



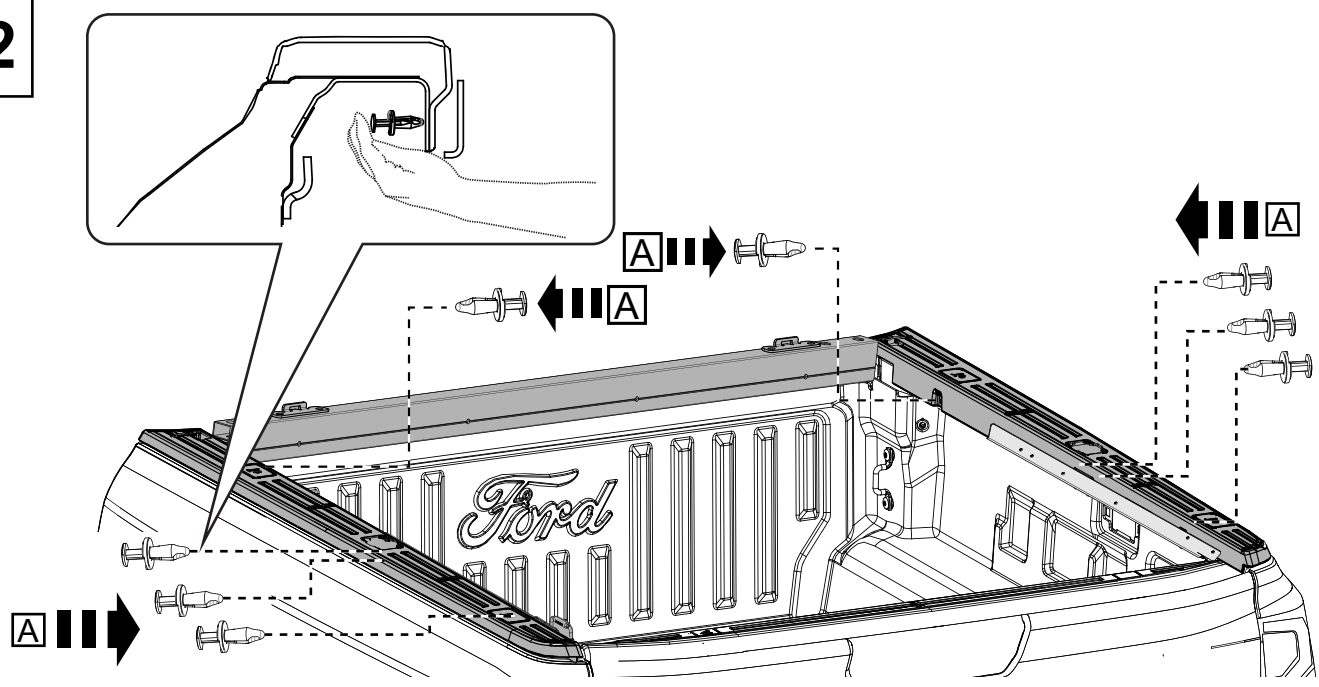
10



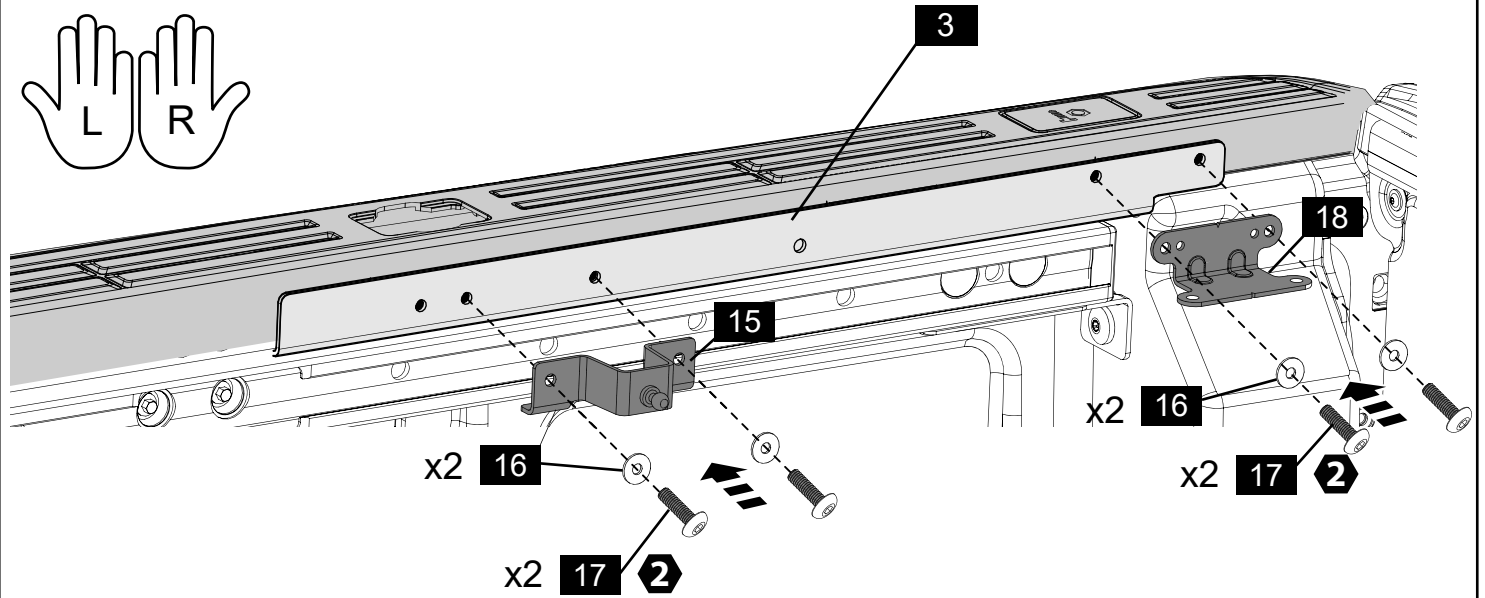
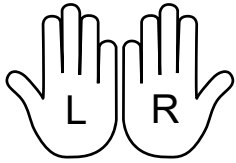
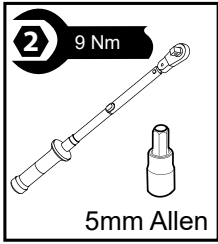
11



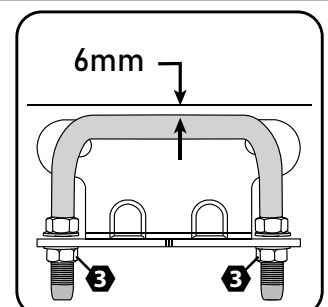
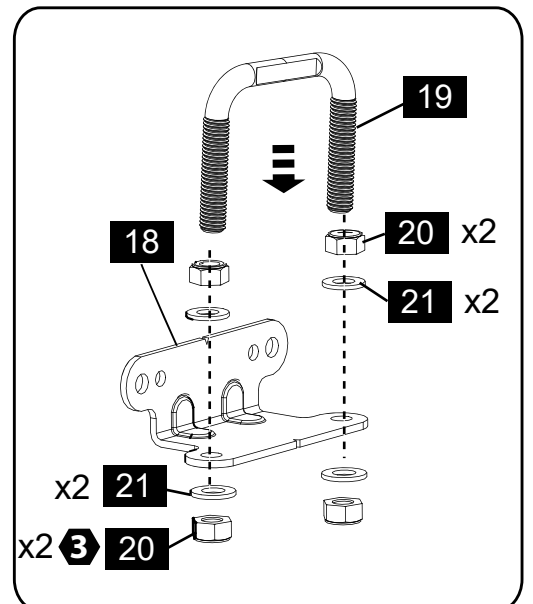
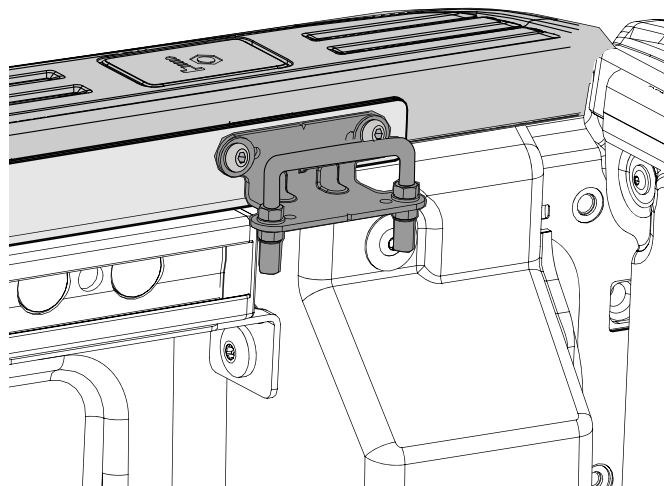
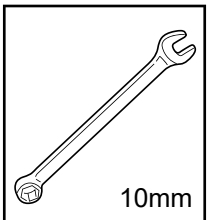
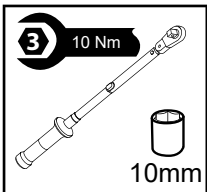
12



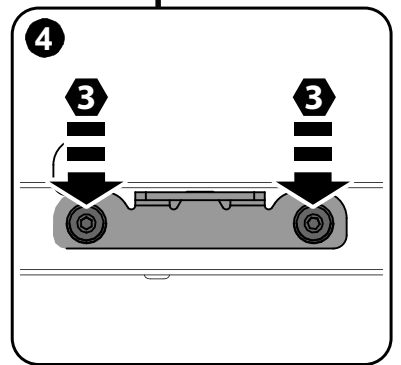
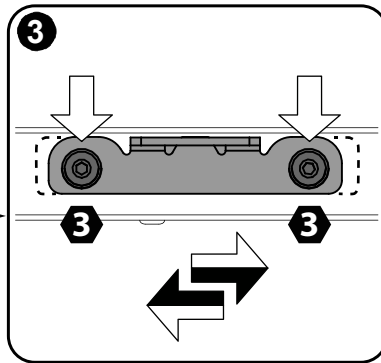
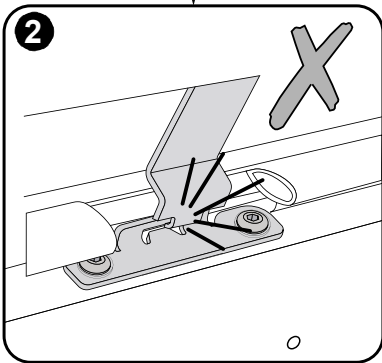
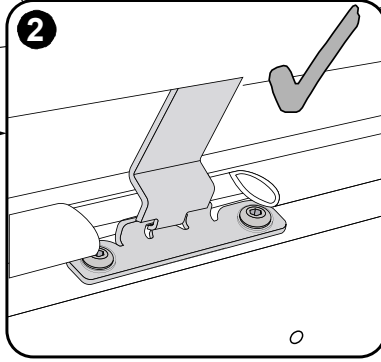
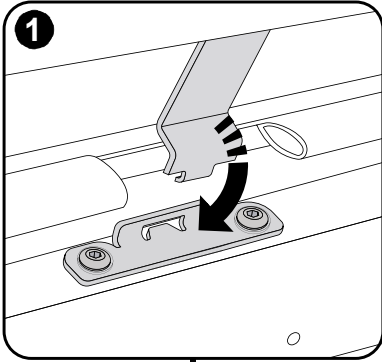
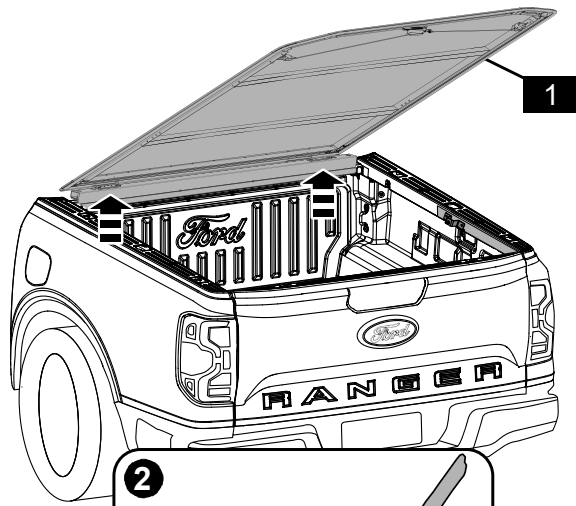
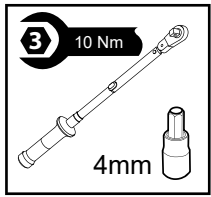
13



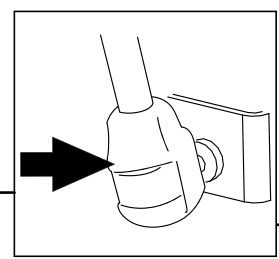
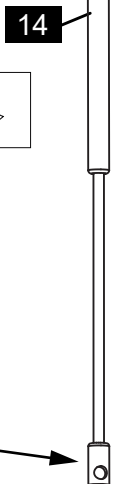
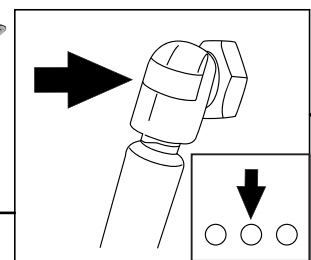
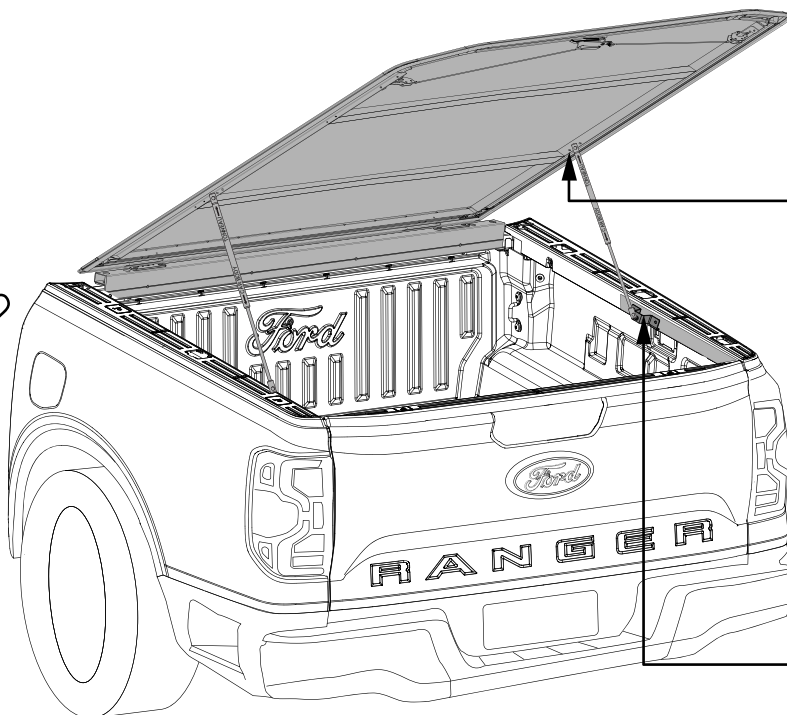
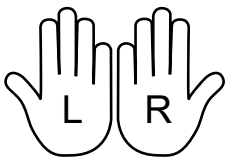
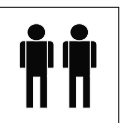
14



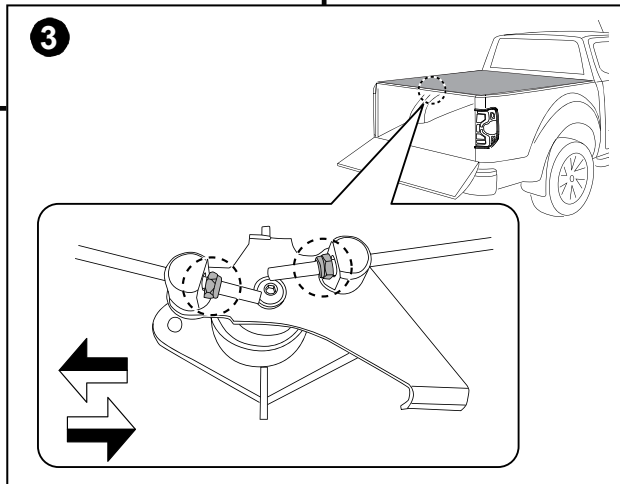
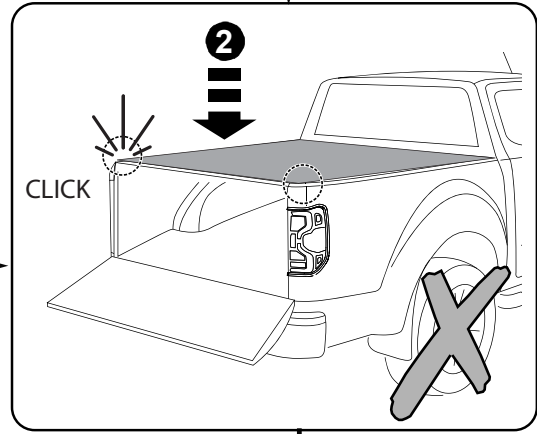
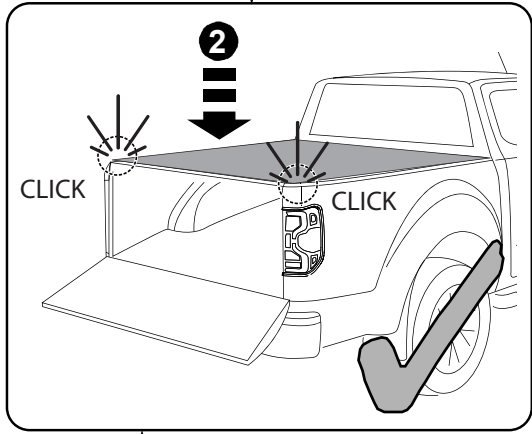
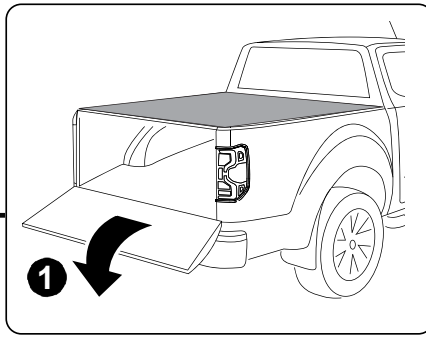
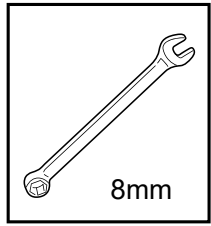
15



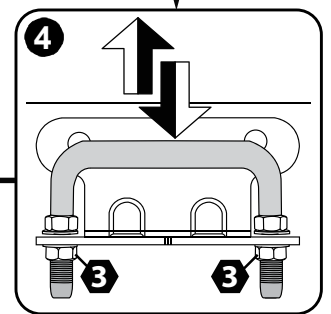
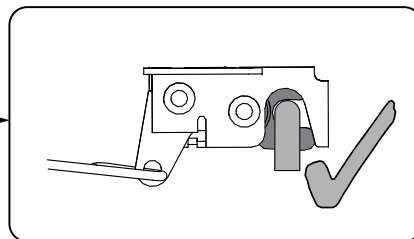
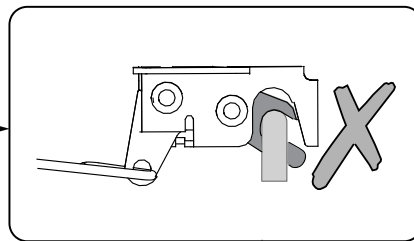
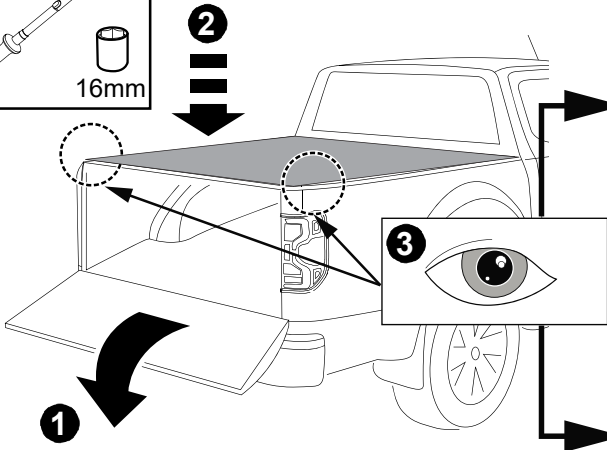
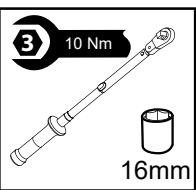
16



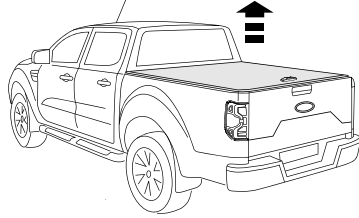
17



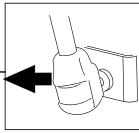
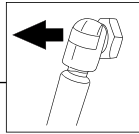
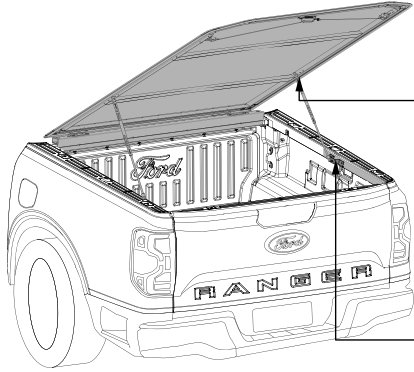
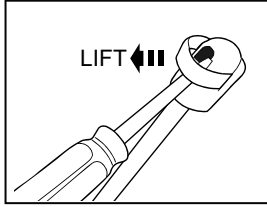
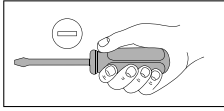
18



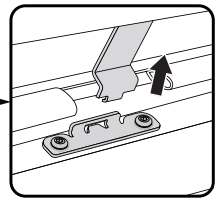
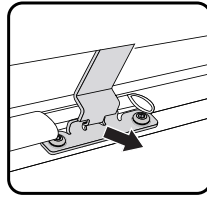
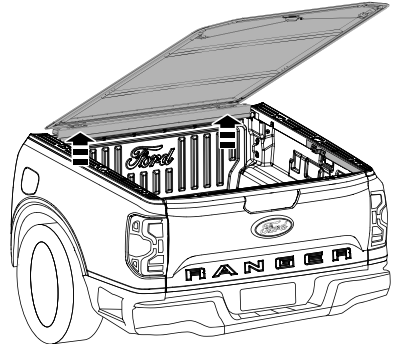
TONNEAU REMOVAL



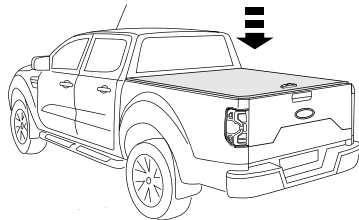
1



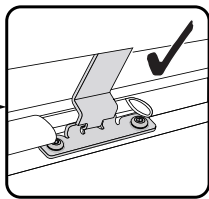
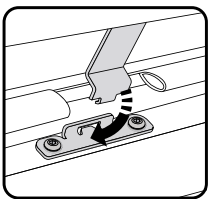
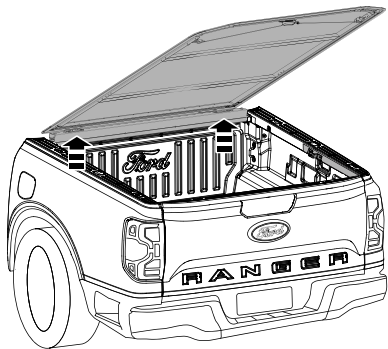
2



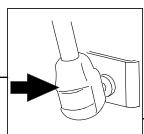
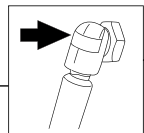
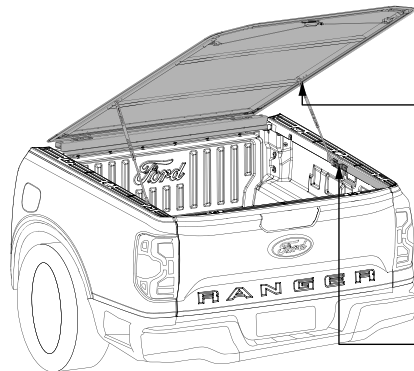
TONNEAU REATTACHMENT



1



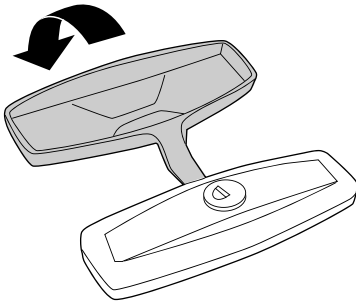
2



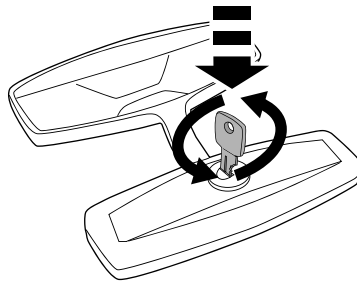
UNLOCK GUIDE



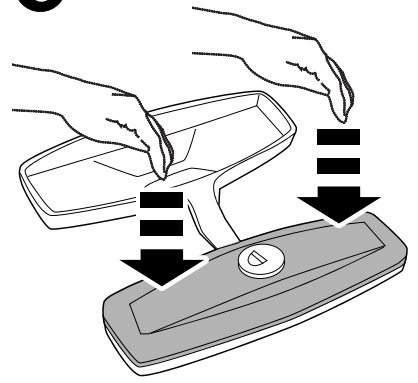
1



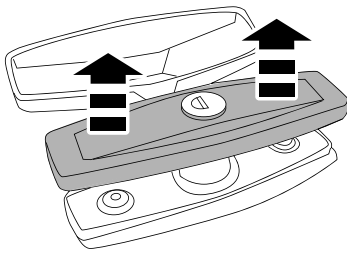
2



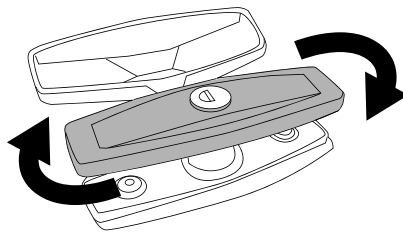
3



4



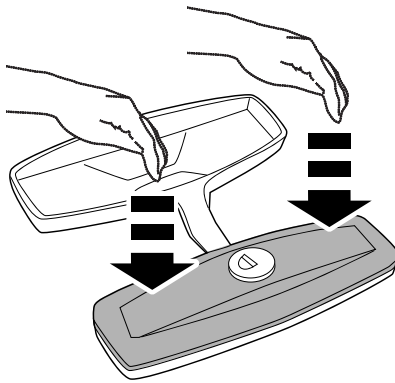
5



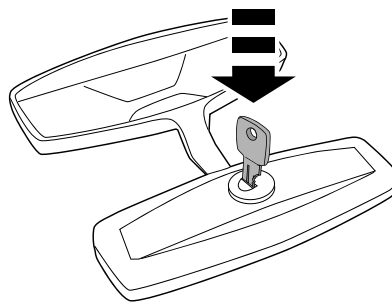
LOCK GUIDE



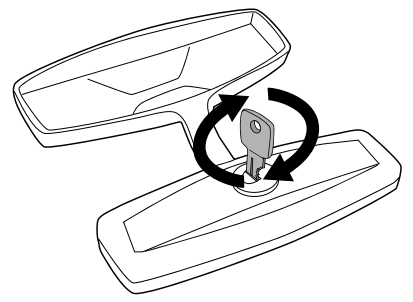
1



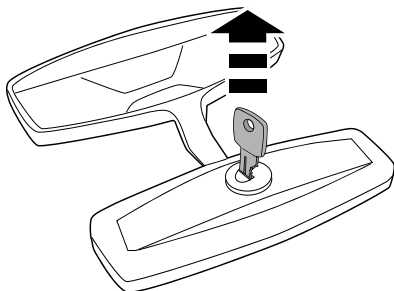
2



3



4



5

