

VW AMAROK MY23 

Important



- Read instructions carefully before installation.
- It is strongly recommended that installation is conducted by an authorized dealer.
- This product must be installed exactly as specified in these instructions. Failure to do so may result in improper fit and/or retention/failure of components.

PERSONAL PROTECTIVE EQUIPMENT:



Mask



Rubber Gloves



Goggles



Hearing Protection

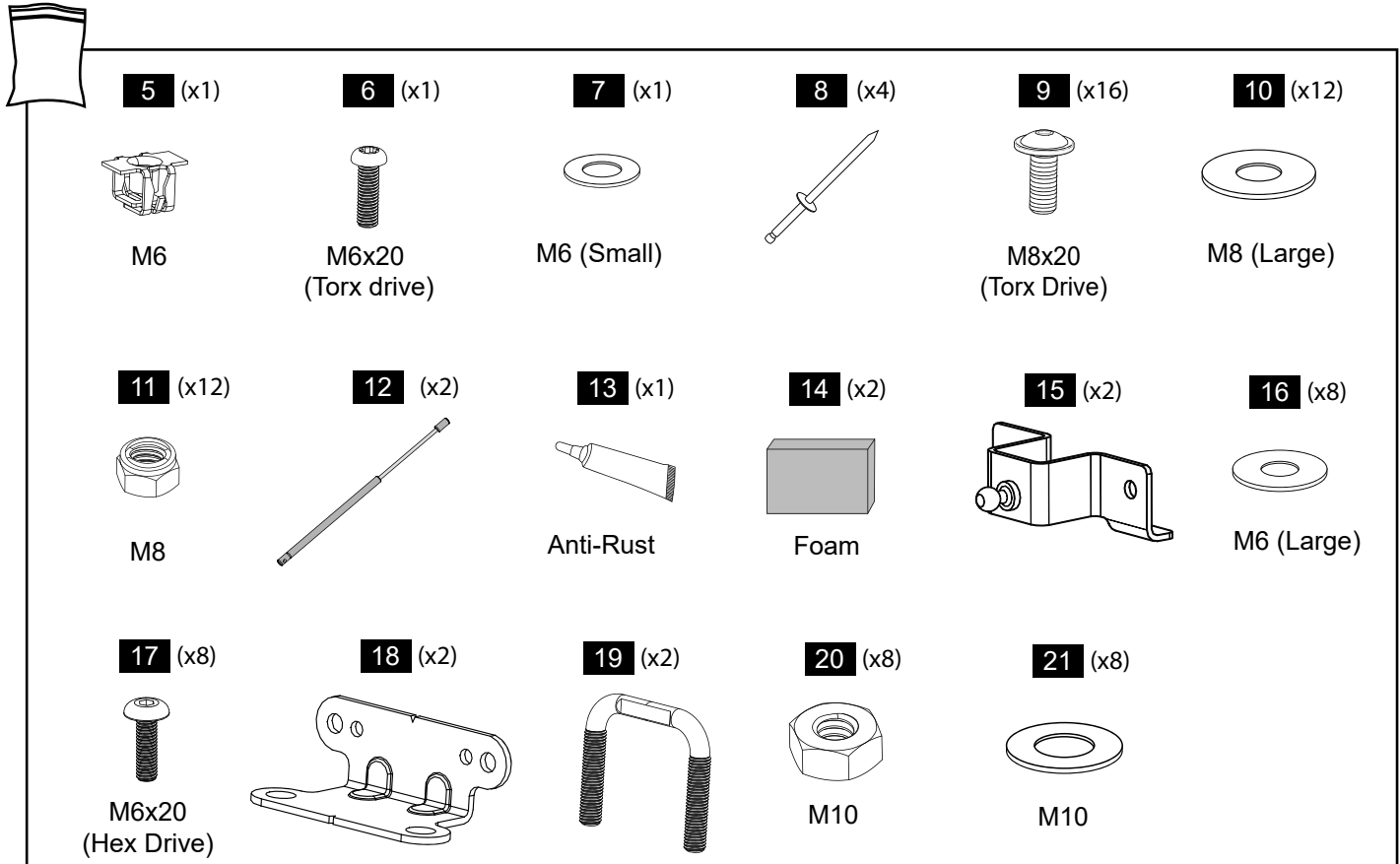
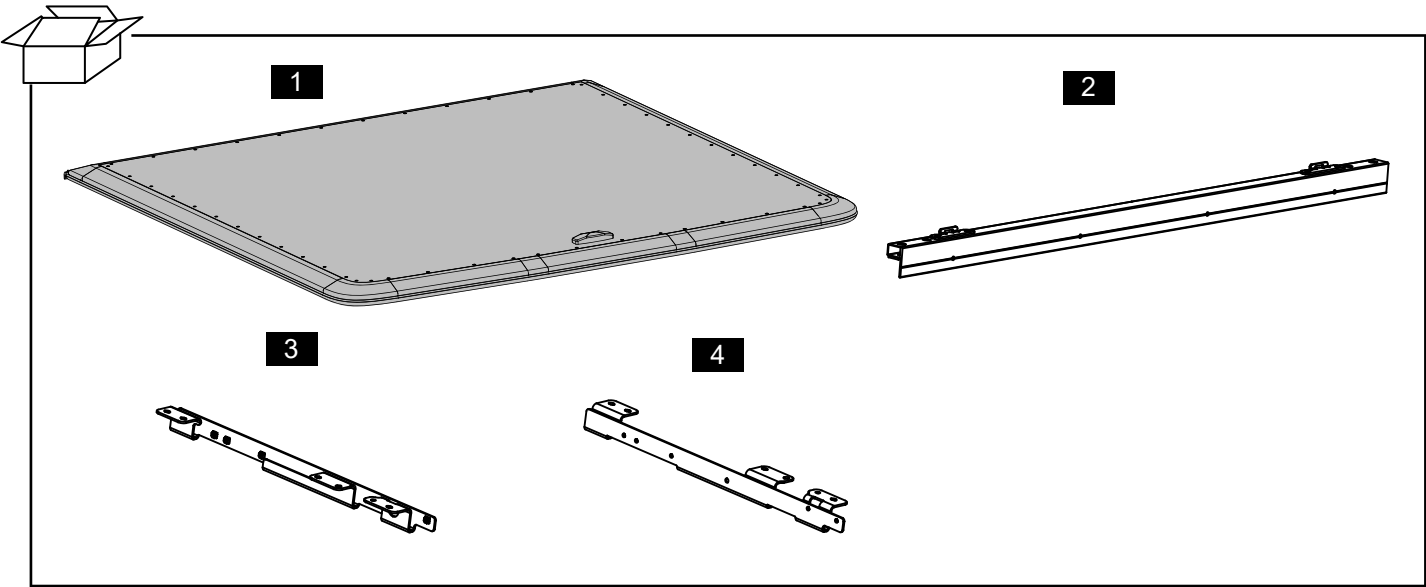
Care Instructions:

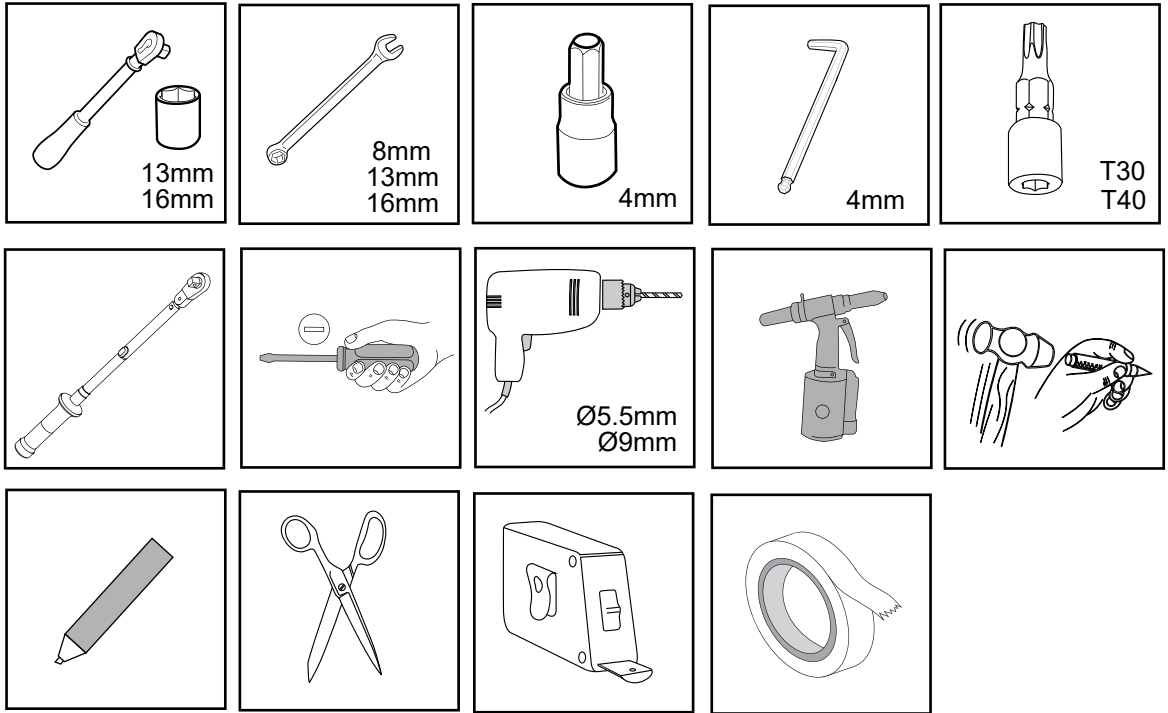
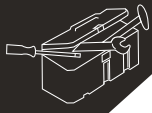


Clean with a mild detergent and water solution.



Do not use abrasive cleaners or solvents.





GLOSSARY



: Vehicle Part



: Sequence



: Part Provided



: Torque Setting



: Even Space



: Reuse



: Discard



: Complete for Both Sides



: Two People



: Check



: Caution



: Clean



: Location



: Loosen



: Adjust



: Install & Remove



: Equal



: Disconnect



: Connect



: No Torque

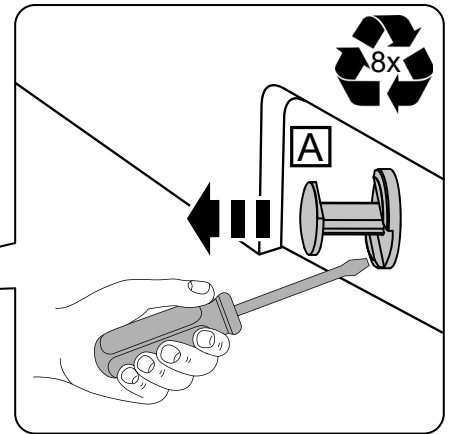
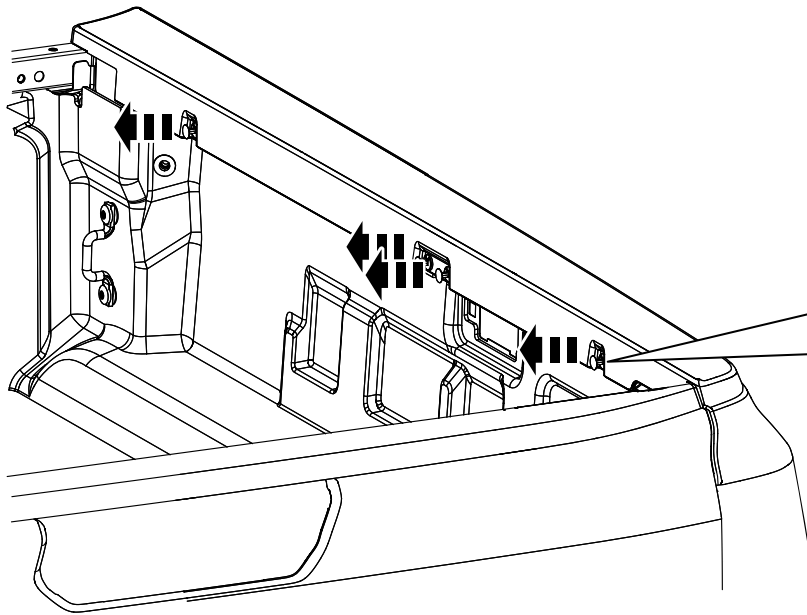
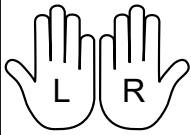


: Lock

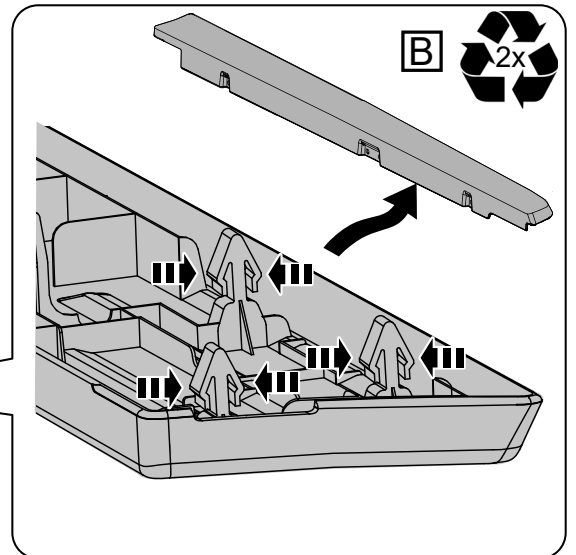
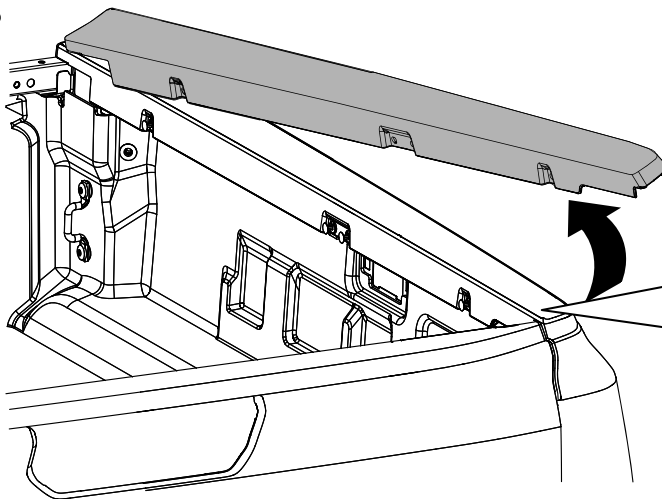
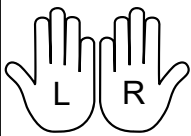


: Unlock

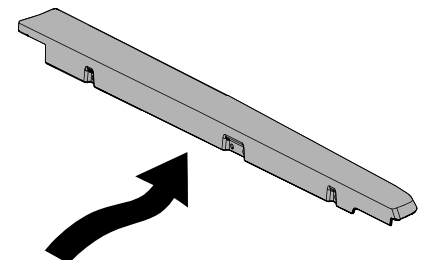
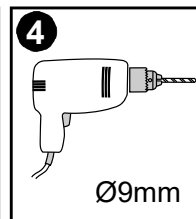
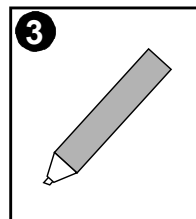
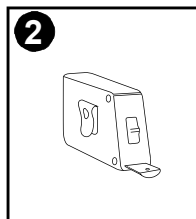
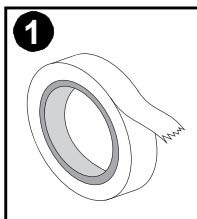
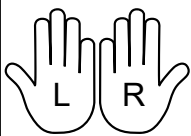
1



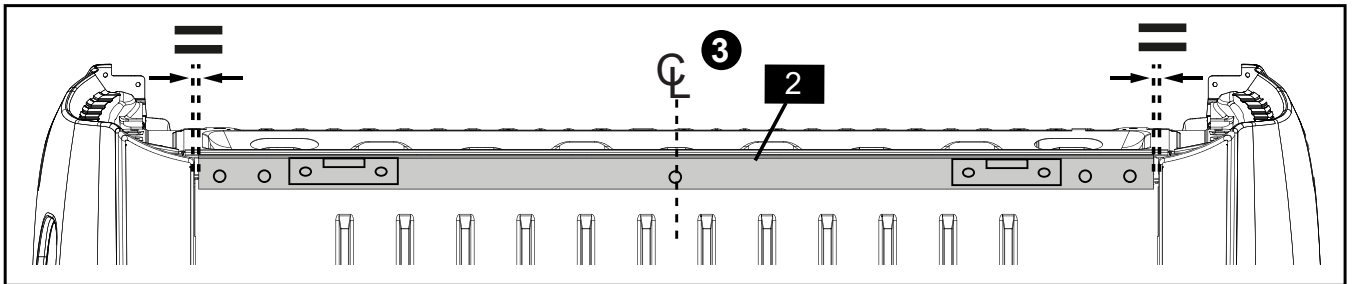
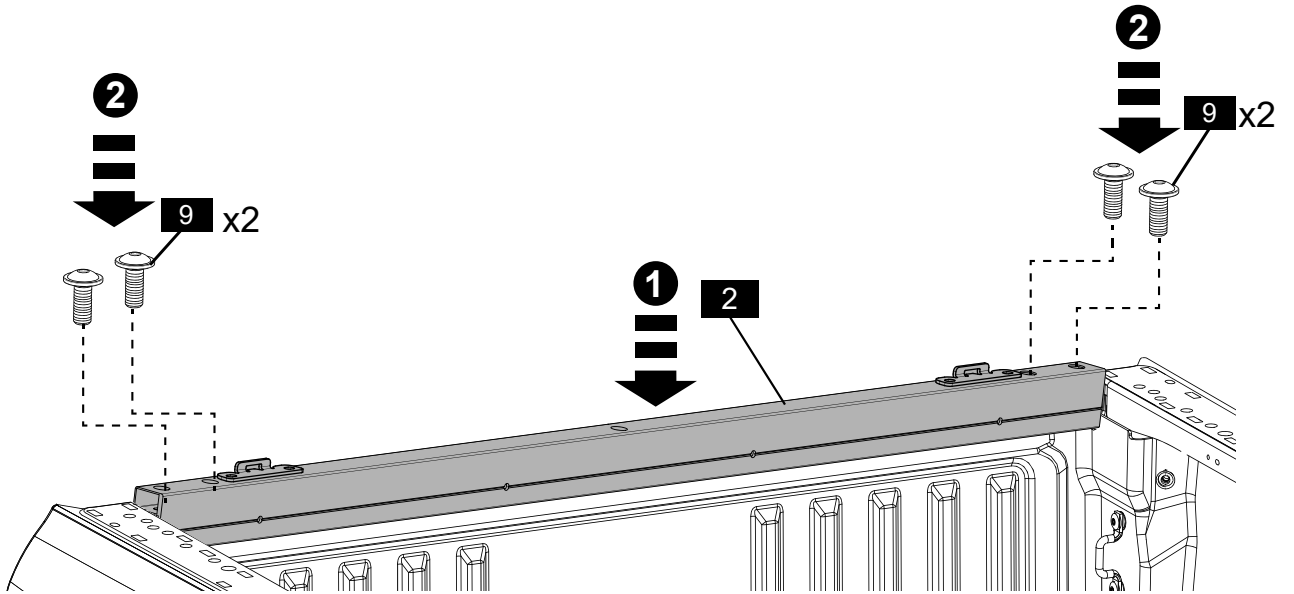
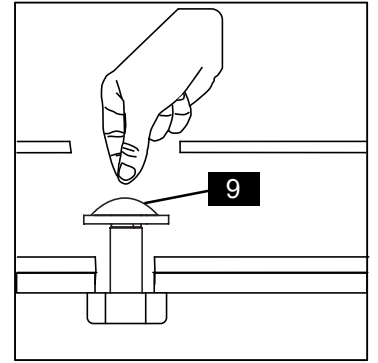
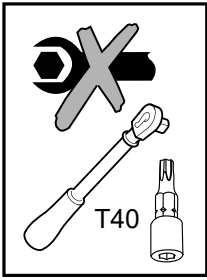
2



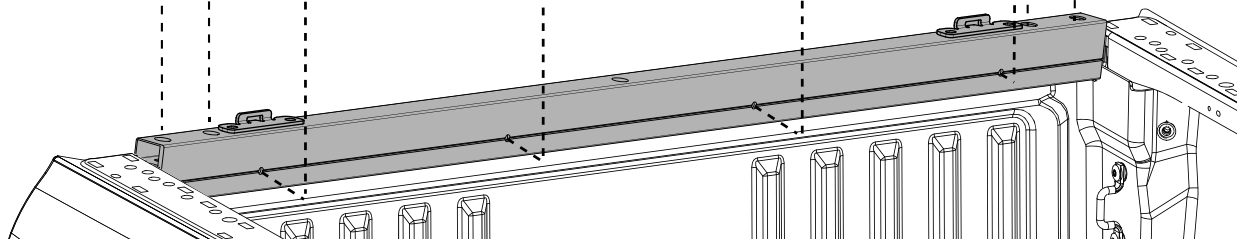
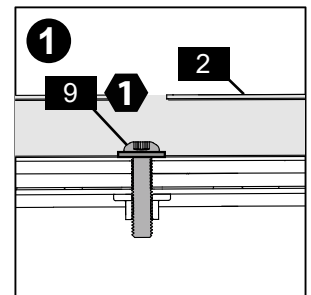
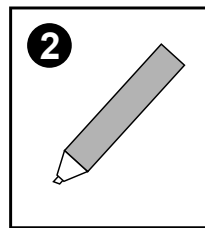
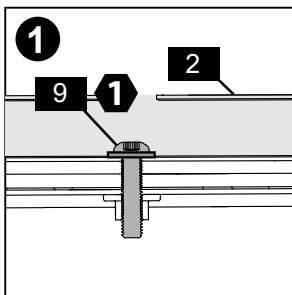
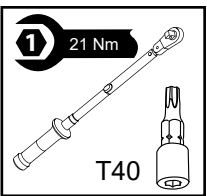
3



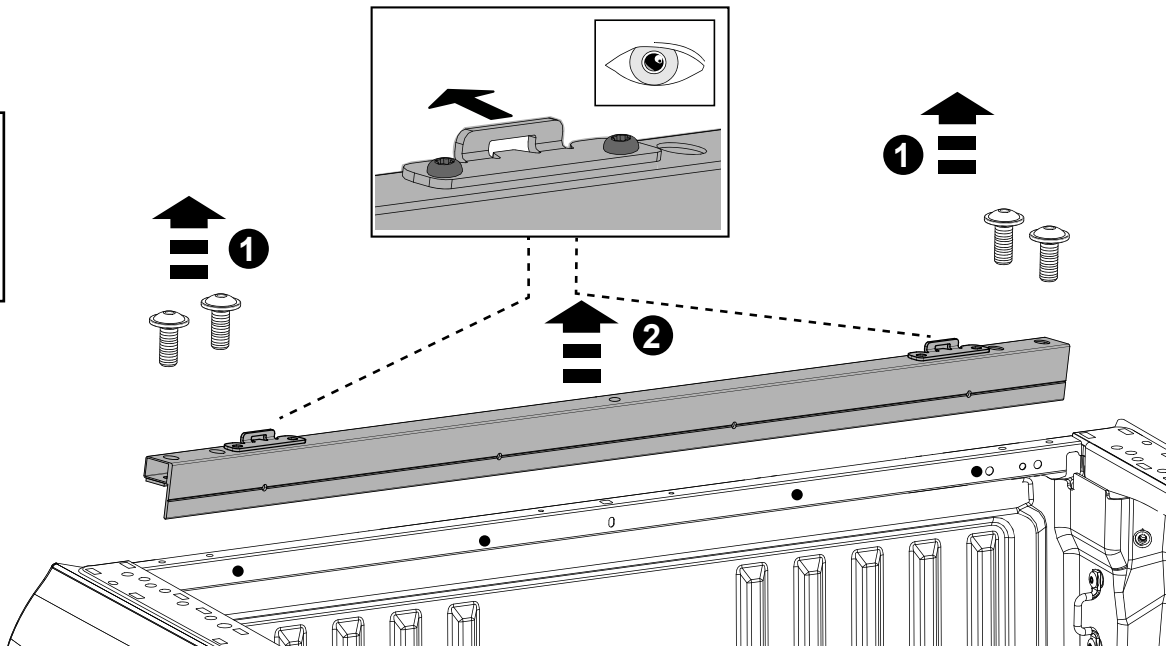
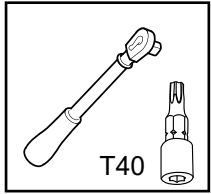
4



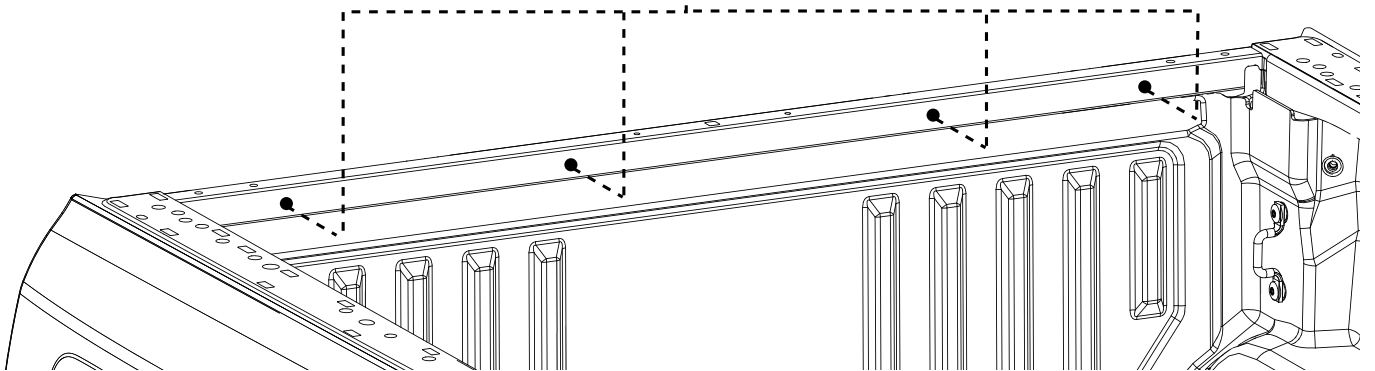
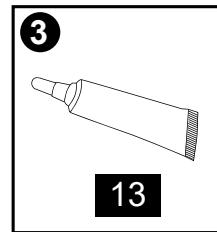
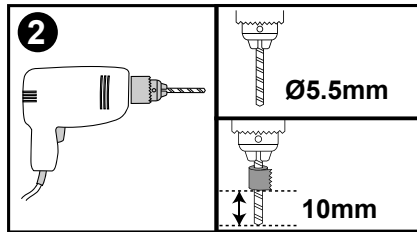
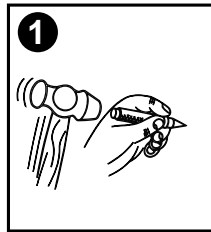
5



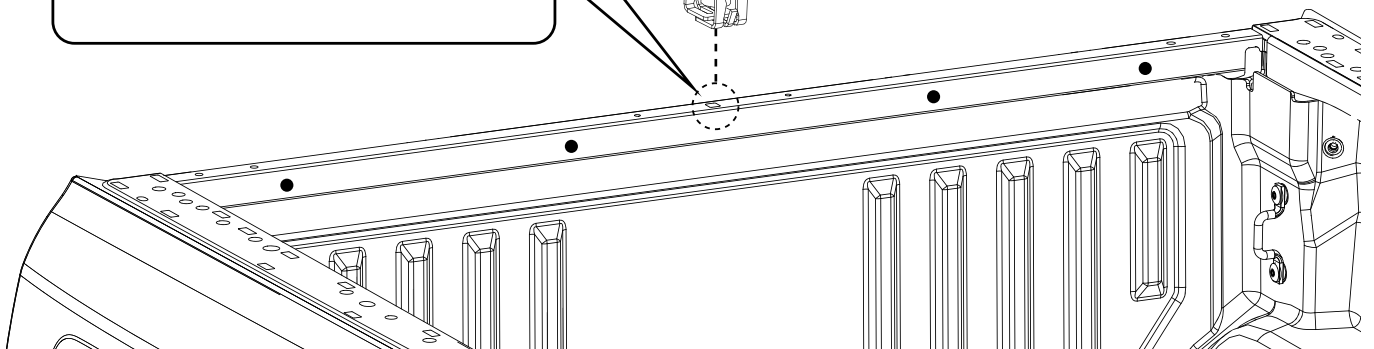
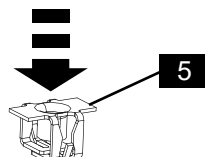
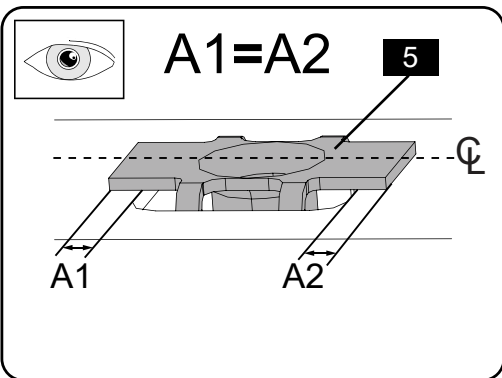
6



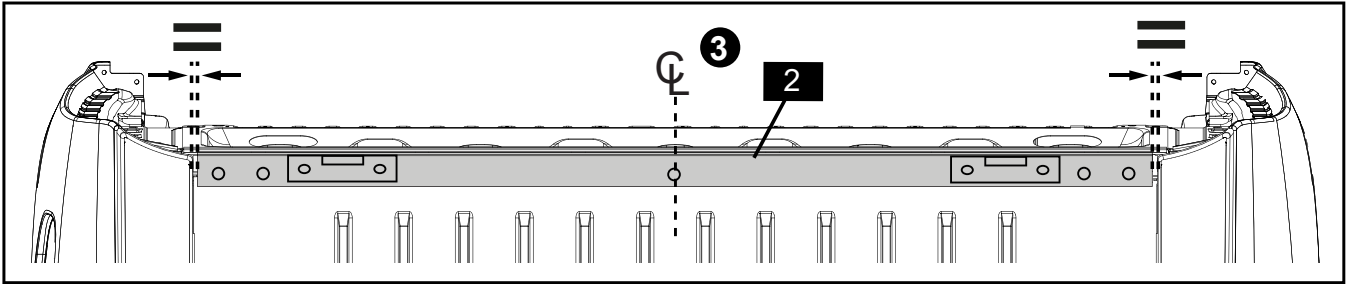
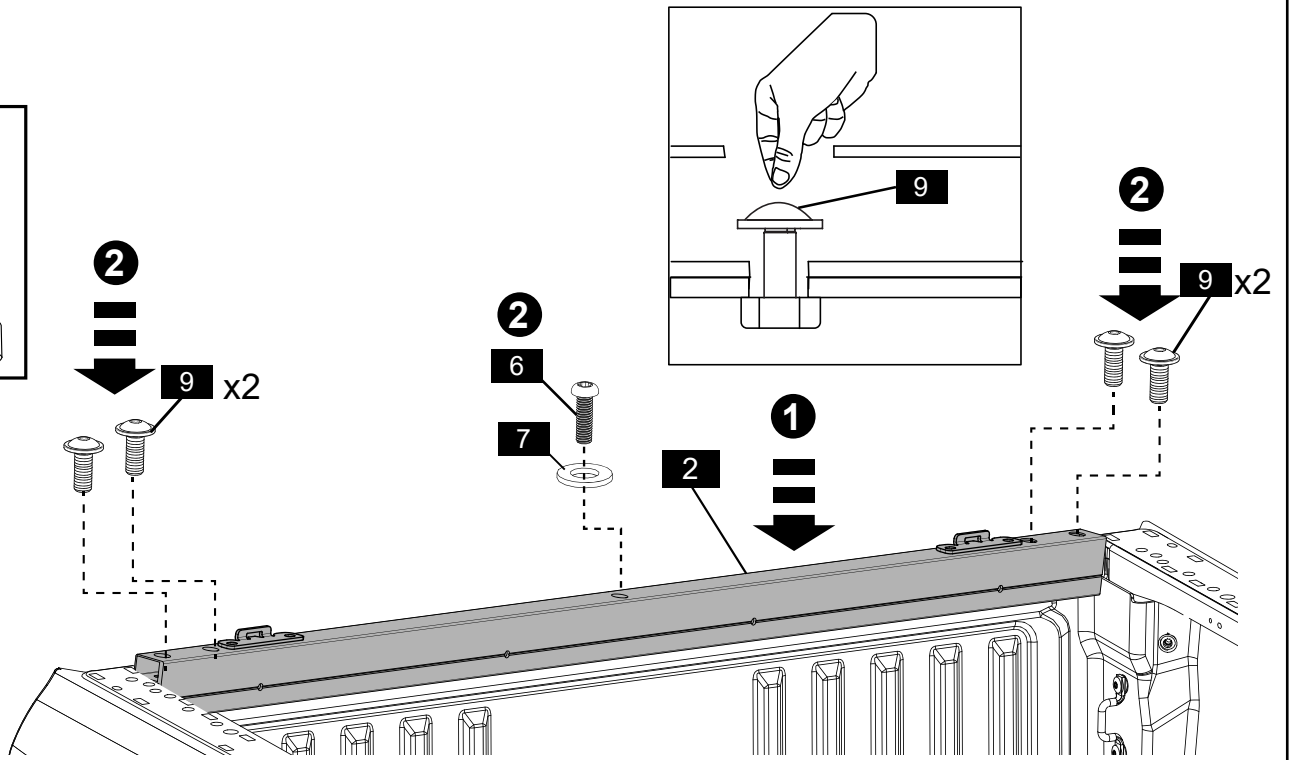
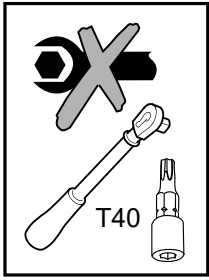
7



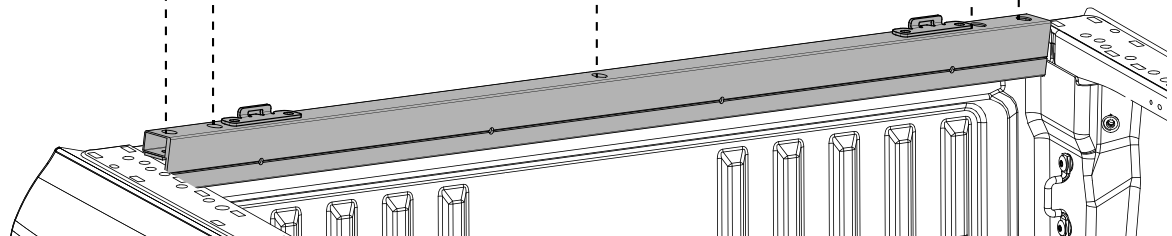
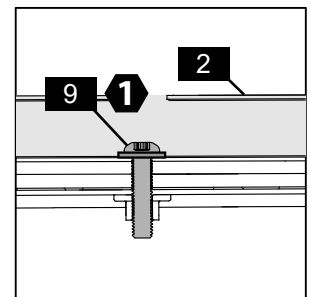
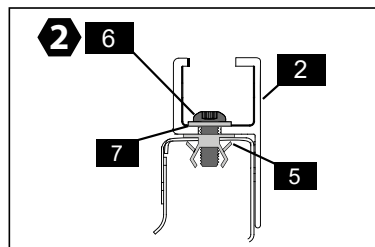
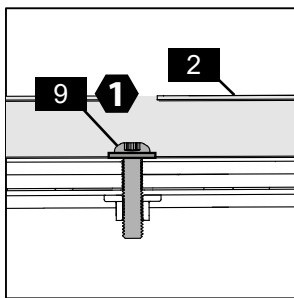
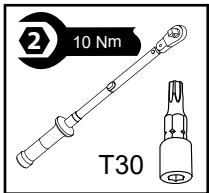
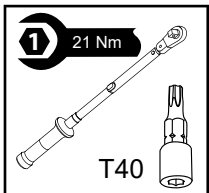
8



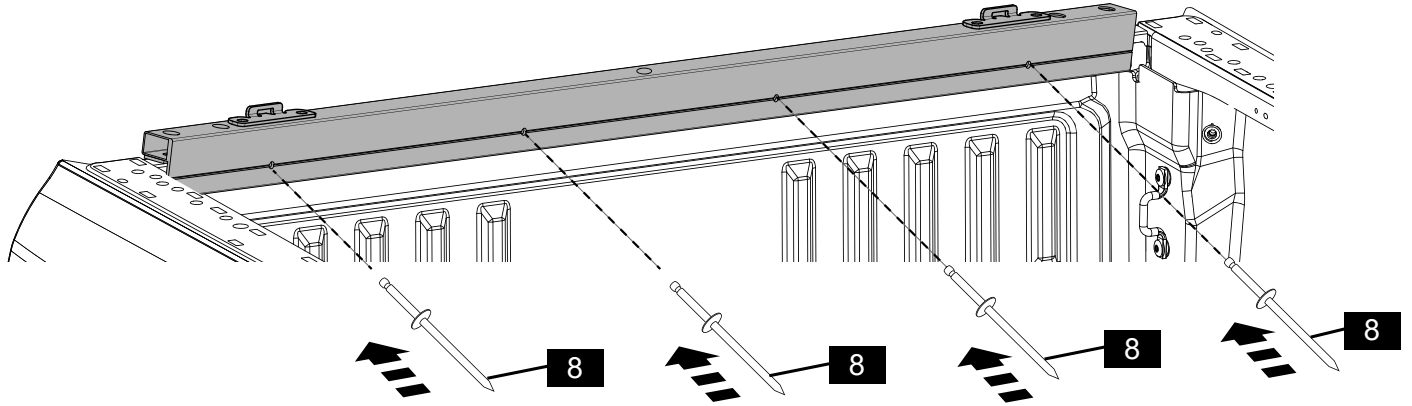
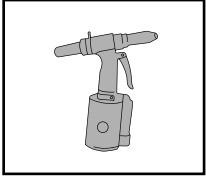
9



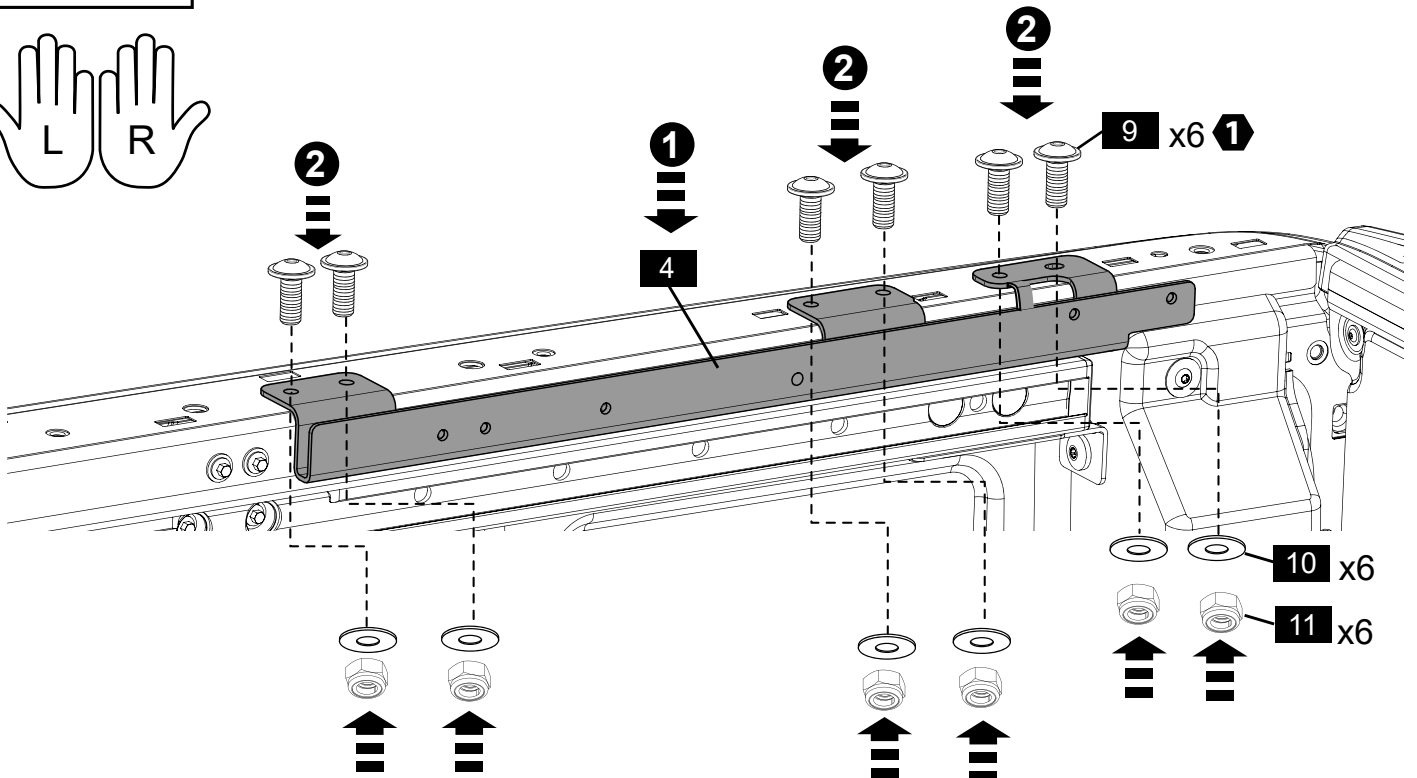
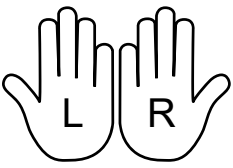
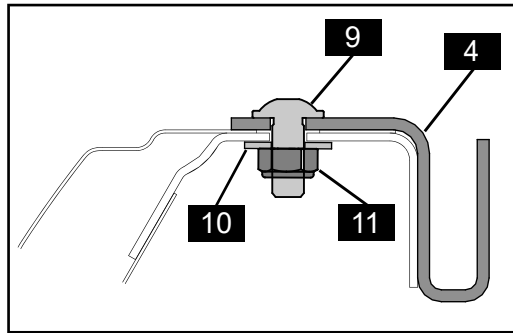
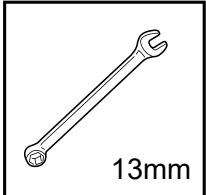
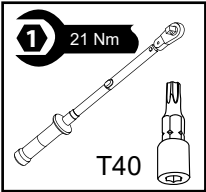
10



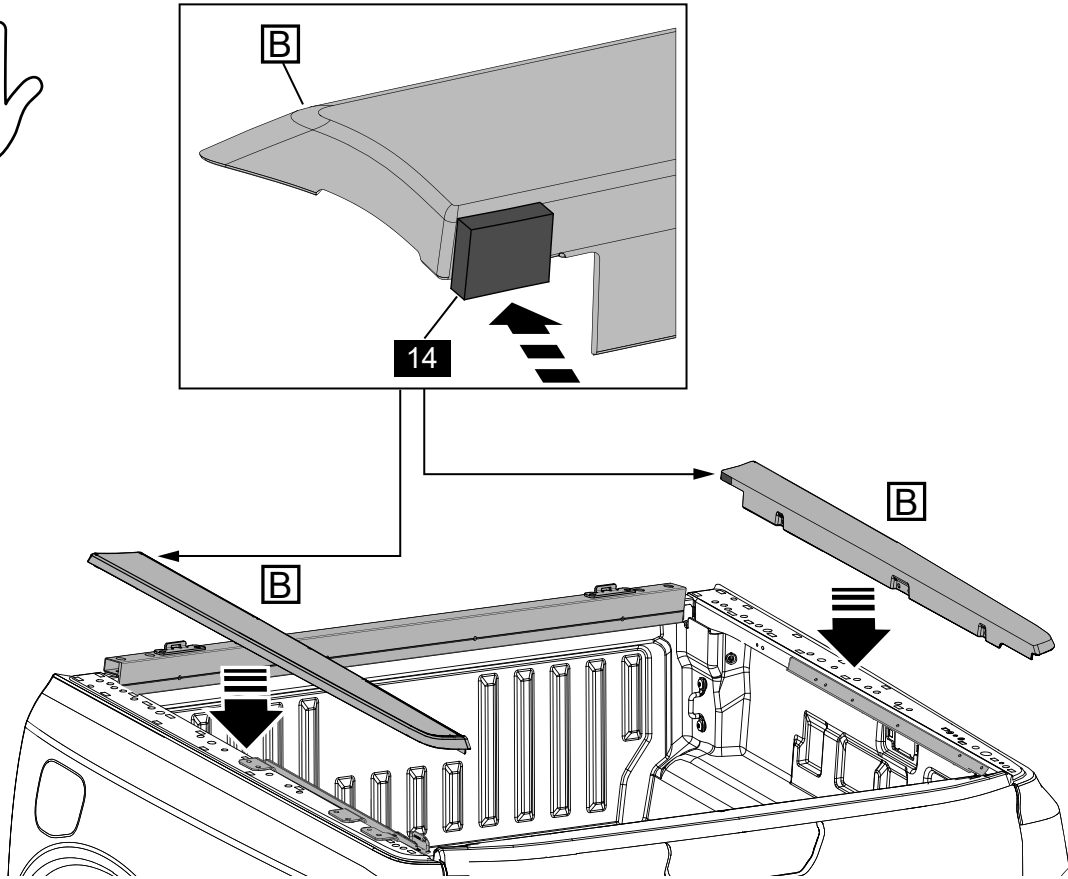
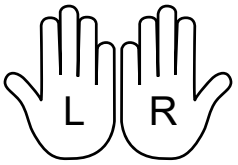
11



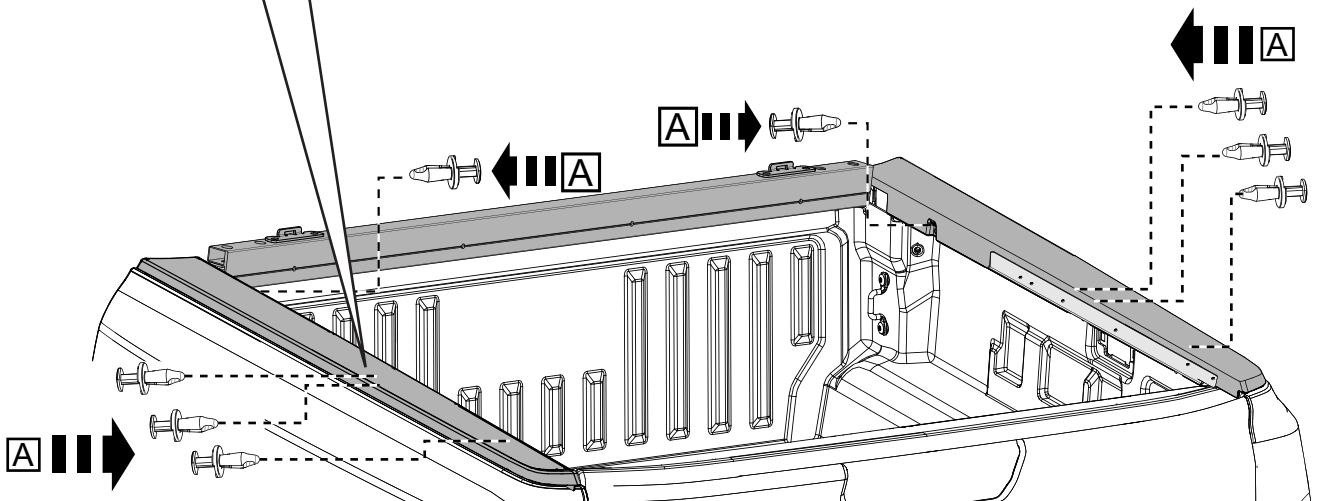
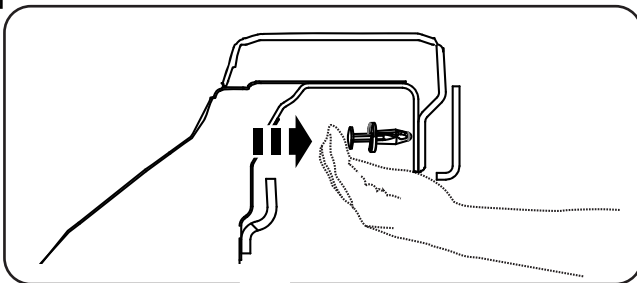
12



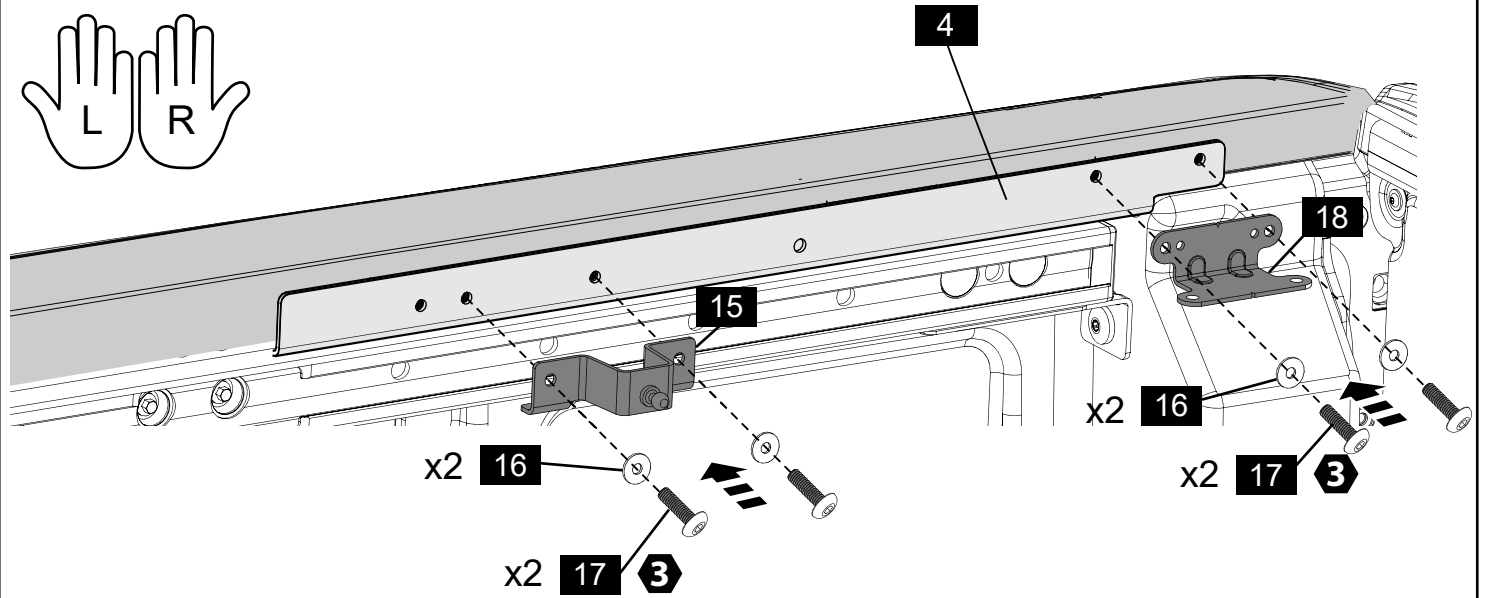
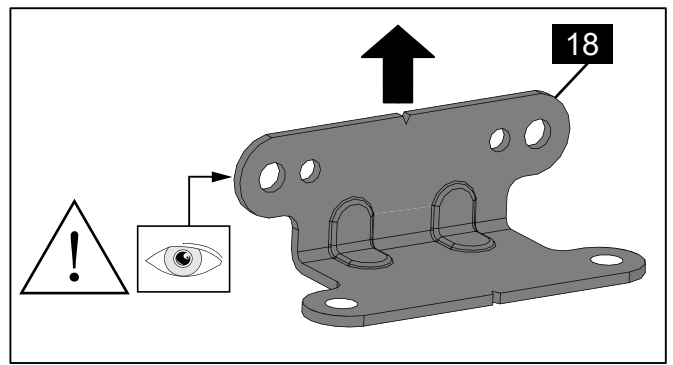
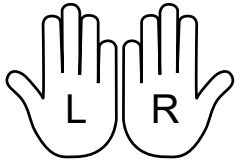
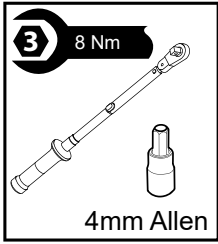
13



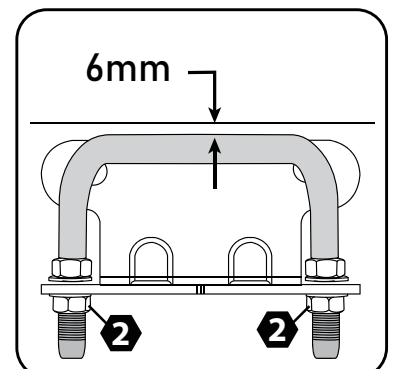
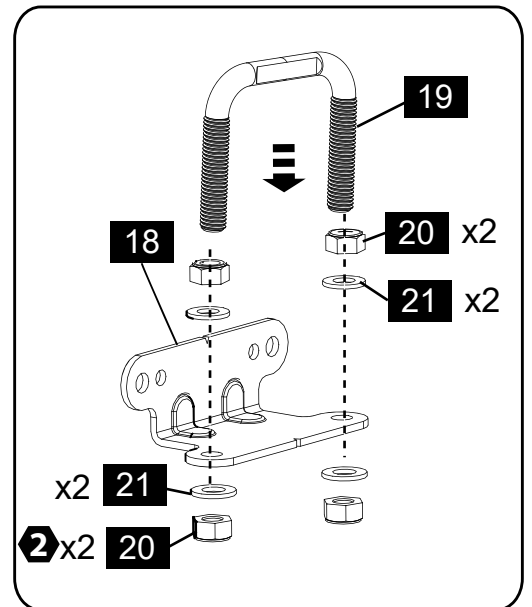
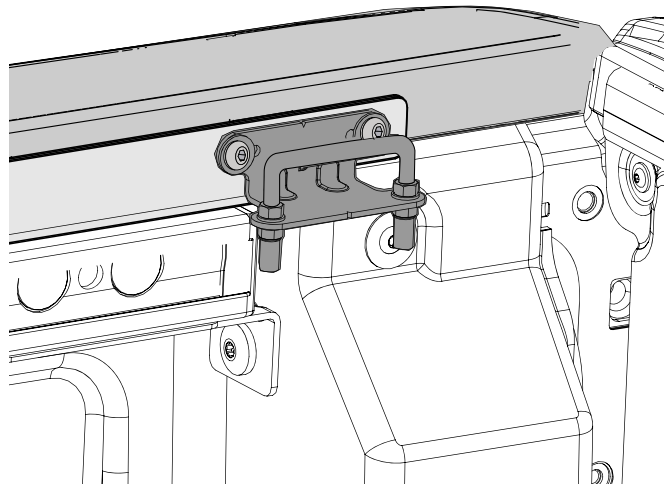
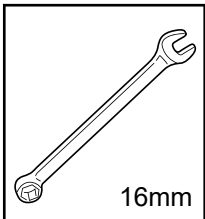
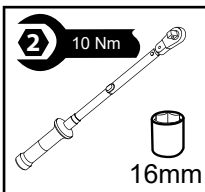
14



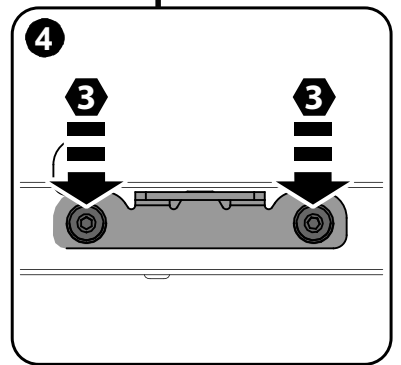
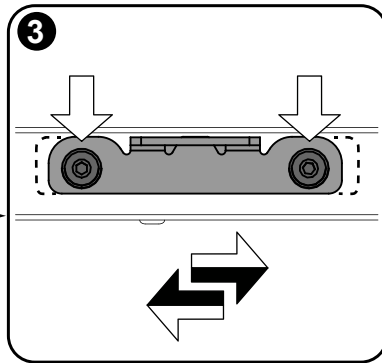
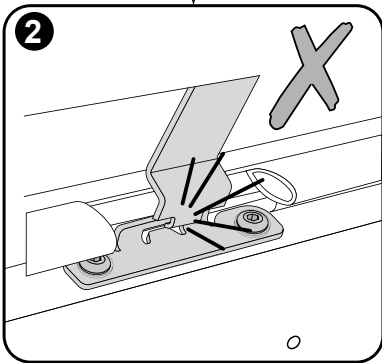
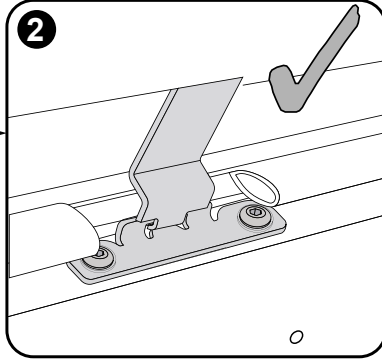
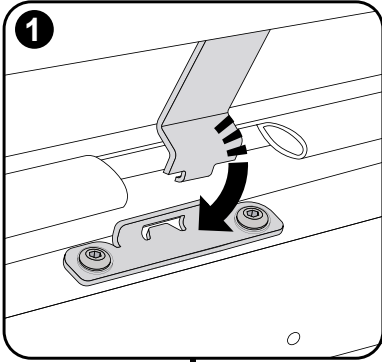
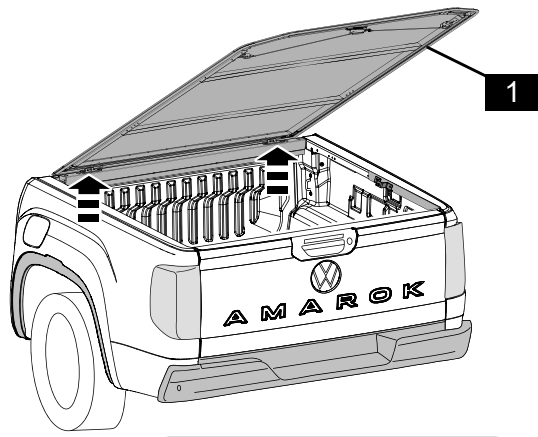
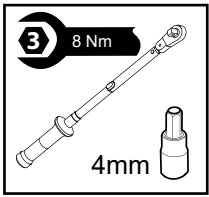
15



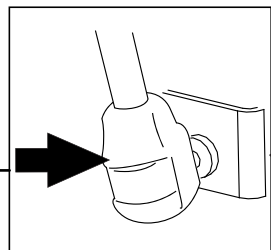
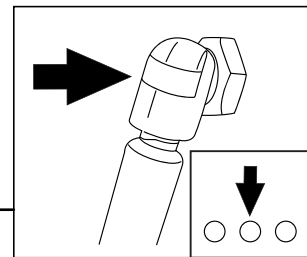
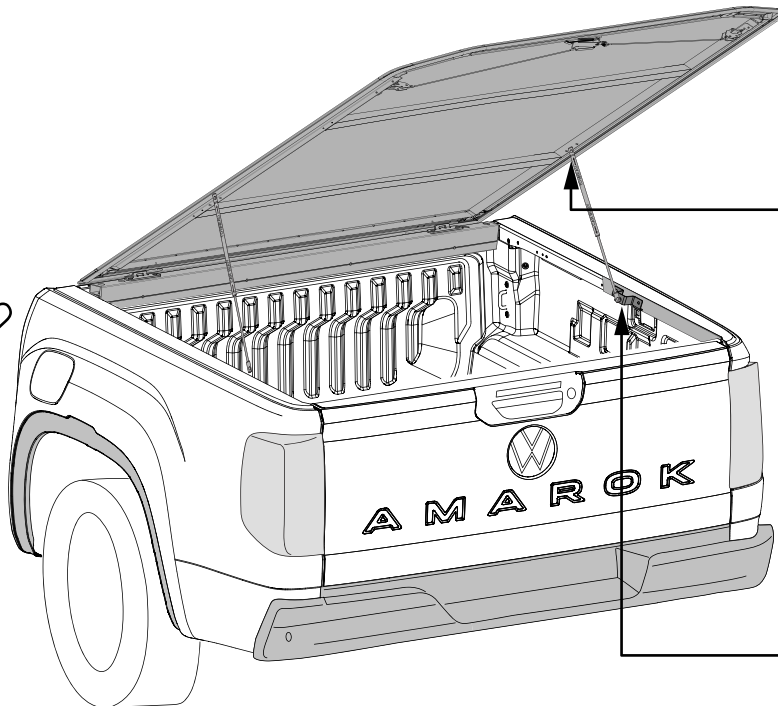
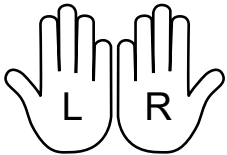
16



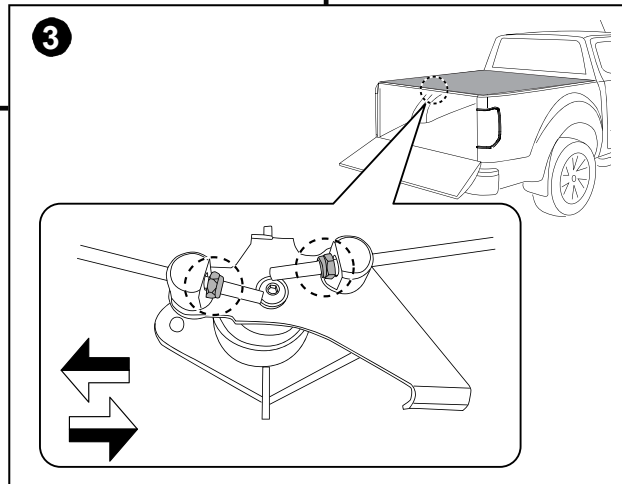
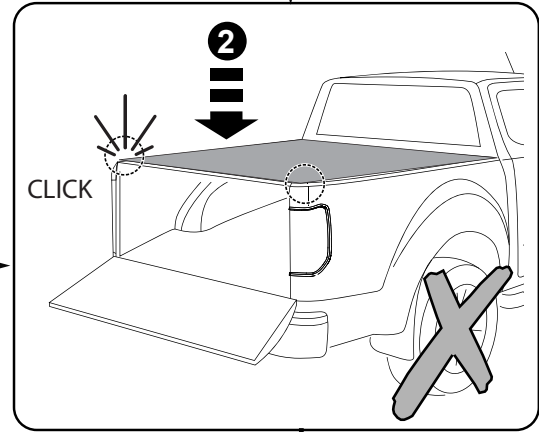
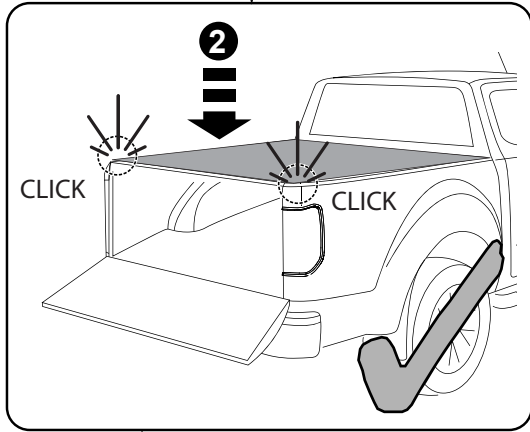
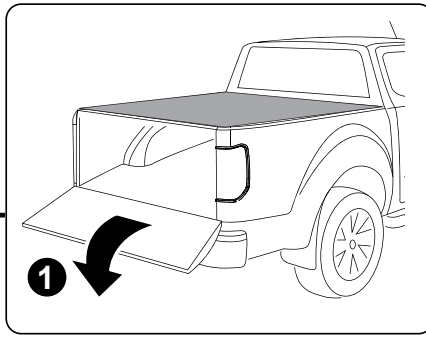
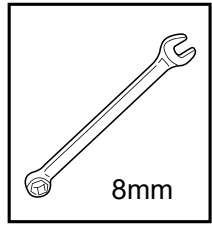
17



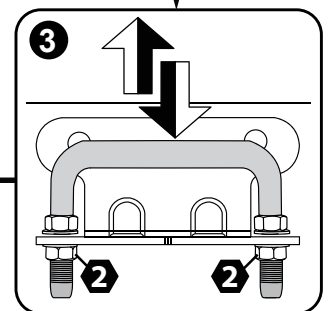
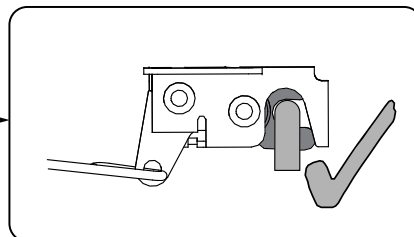
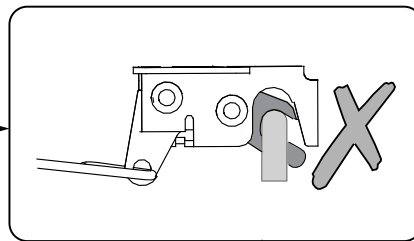
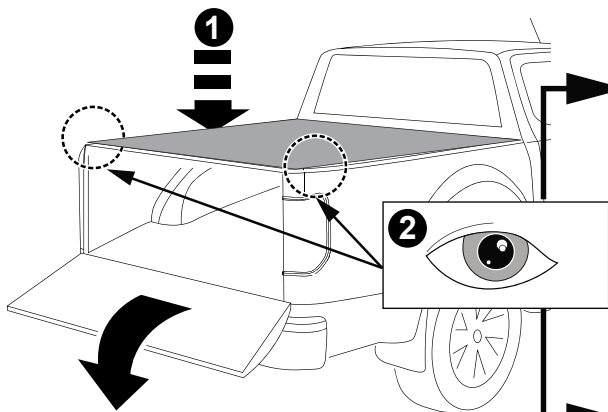
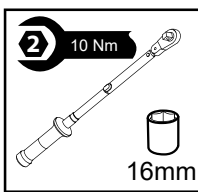
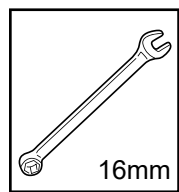
18



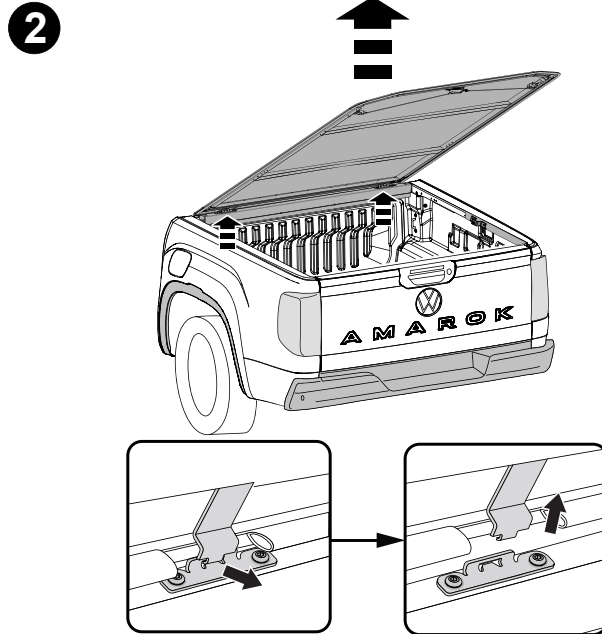
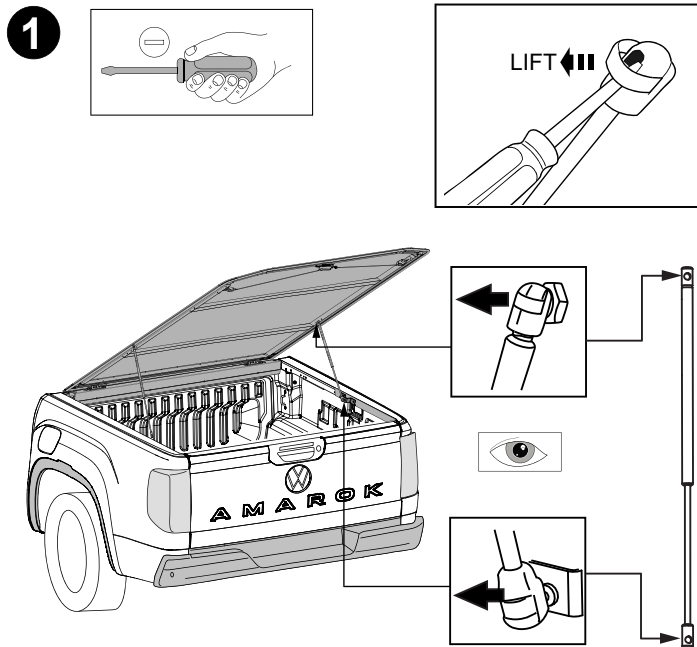
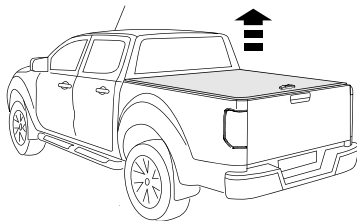
19



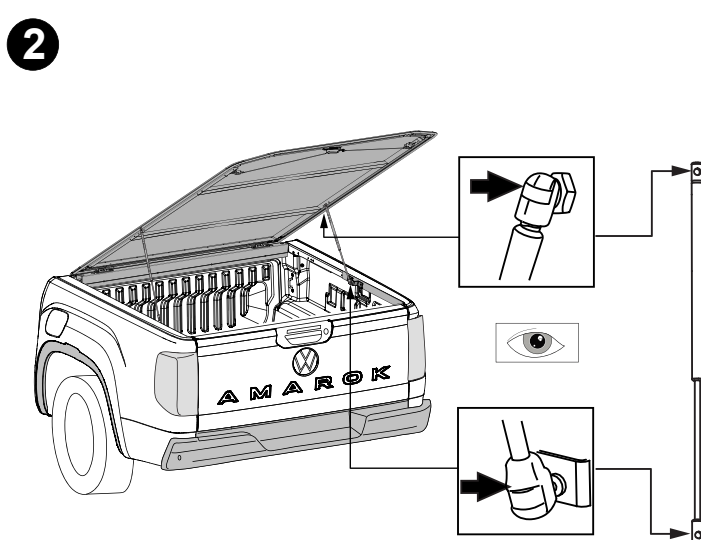
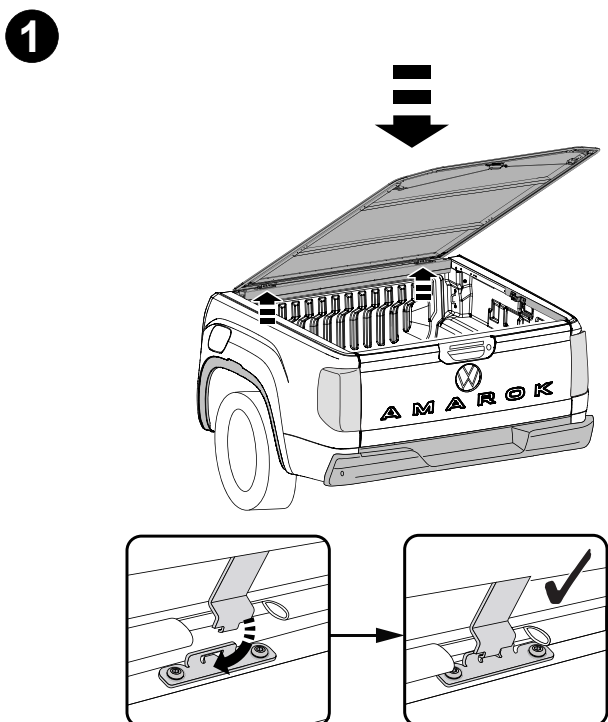
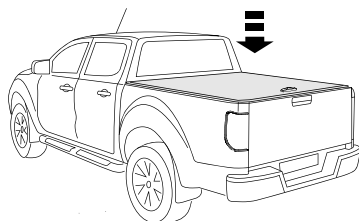
20



TONNEAU REMOVAL



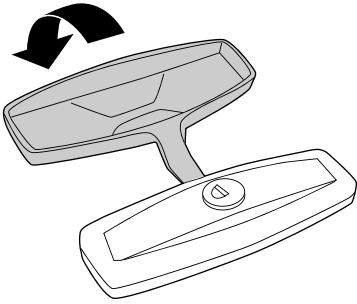
TONNEAU REATTACHMENT



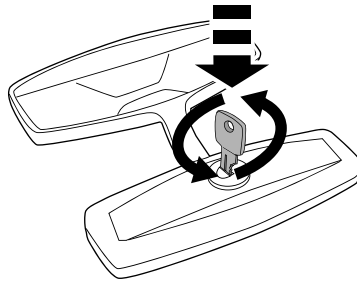
UNLOCK GUIDE



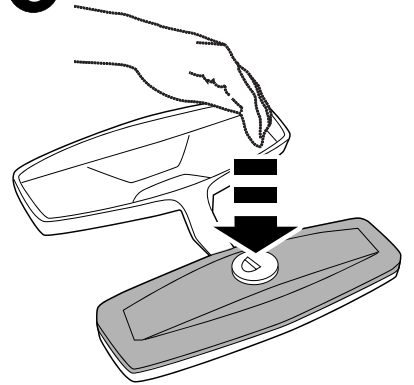
1



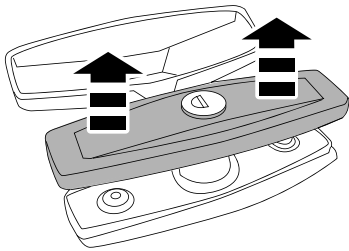
2



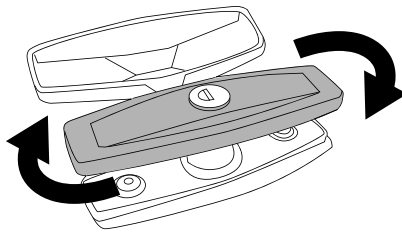
3



4



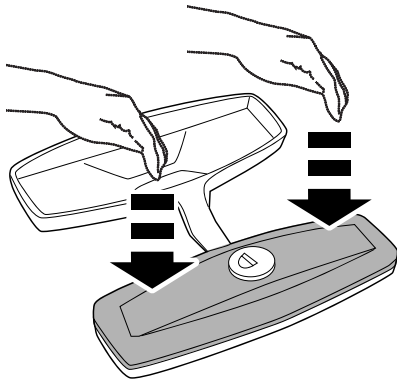
5



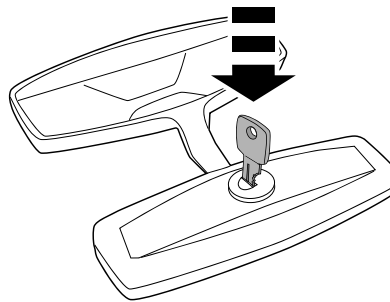
LOCK GUIDE



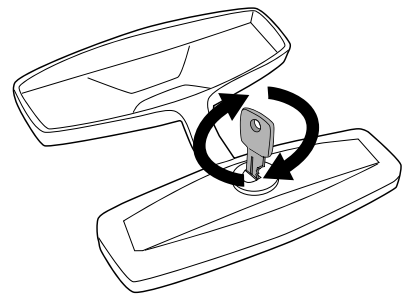
1



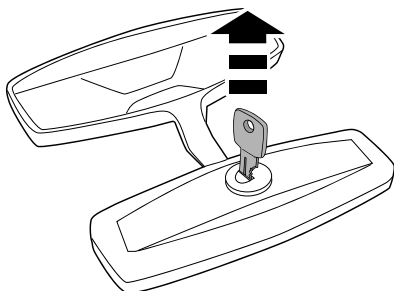
2



3



4



5

