


Fitting

INSTRUCTIONS



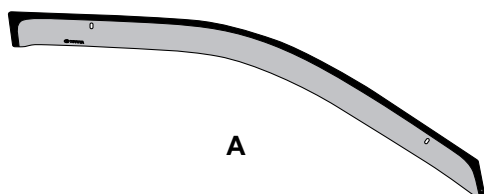
PRODUCT	Slimline Weathershield	 20 MIN
APPLICATION	Toyota Kluger - 2021	
PART NO	SW-PPCK-TOY-KLUGER-21	DATE – 30 MARCH 2022

VERY IMPORTANT

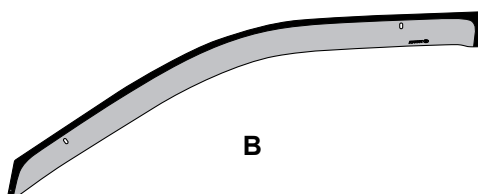
- PLEASE READ THESE INSTRUCTIONS CAREFULLY BEFORE COMMENCING WITH FITMENT.
- ENSURE EACH STEP IS CHECKED AND TICKED OFF BEFORE MOVING ON TO THE NEXT STEP.

KIT CONTENTS

Item	Qty	Description	Item	Qty	Description
A	1	RHS Front Weathershield	F	2	Front Metal Clip
B	1	LHS Front Weathershield	G	8	Push Pin
C	1	RHS Rear Weathershield	H	2	Adhesion Promoter
D	1	LHS Rear Weathershield	I	4	Alcohol Wipe
E	8	Top Metal Clip			



A



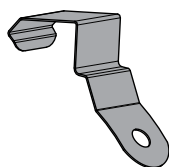
B



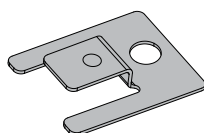
C



D



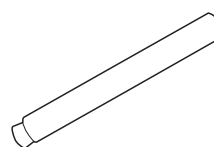
E



F



G



H



I

REQUIRED TO FIT

1x Bucket with soapy water mix
1x Ruler

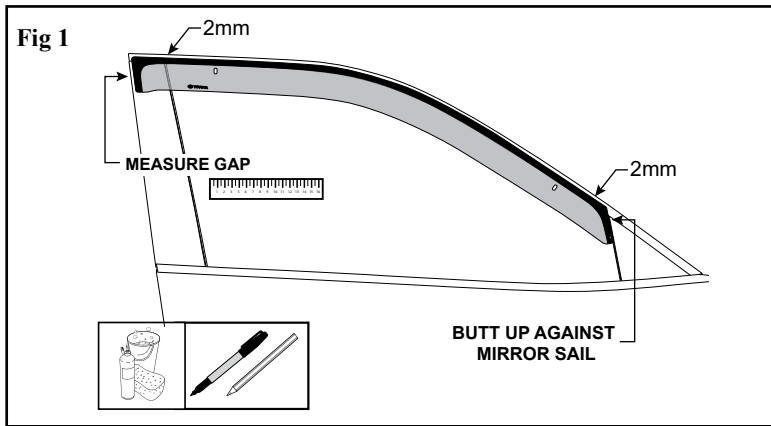
1x Pencil or non-permanent Marker

PRECAUTIONS

Ensure that you adequately cover and protect Seats, Carpets, Body parts as well as Door entry areas with non-scratch covers, before installation. Ensure that your workmanship is of the highest professional standard and that you do not scratch or damage the vehicle or accessory to be fitted.

Before commencing with fitment, carefully unwrap the product and ensure that the kit is complete and that the part is free of damage.

INSTALLATION PROCEDURE



Read installation instructions thoroughly before commencing installation.

Read through installation instructions before installation. Thoroughly clean and dry the front door frame prior to fitment.

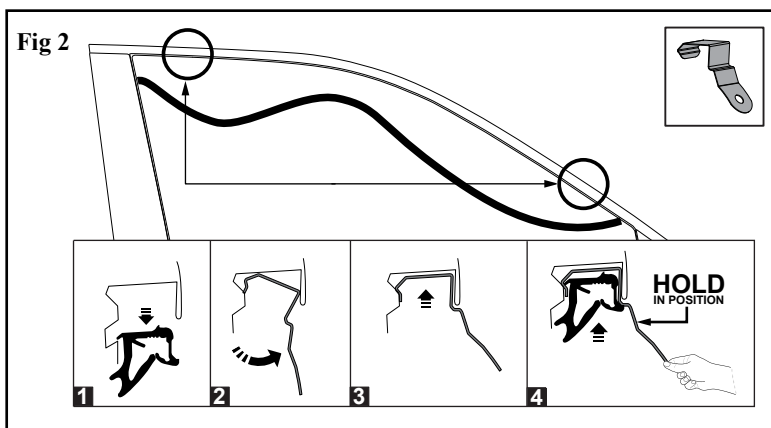
Wind the window down and using a ruler, trial fit the Weathershield 2mm from the top edge of the door frame, and the front of the weathershield butting up against the mirror sail.

Measure the gap at the rear of the weathershield.

Note and mark where the two slots on the weathershield correspond to the door frame with a non-permanent pen or pencil.

Note the tape attachment areas on the door frame.

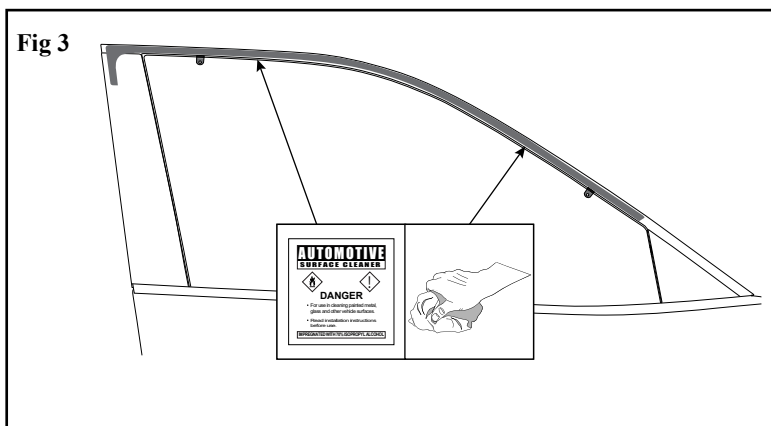
Remove Weathershield.



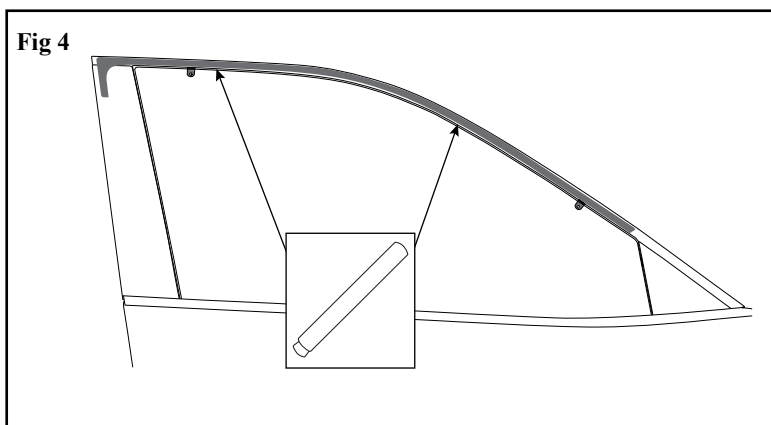
Gently pull the rubber door seal away from the door frame at the front and rear slot positions.

Install the top metal clips on the door frame.

Holding the clip in the door frame, push the rubber door seal back into position.



Clean previously noted tape attachment areas thoroughly with the alcohol wipe provided. Wipe away any residue with a dry clean cloth.



Apply adhesion promoter directly onto the tape attachment areas.

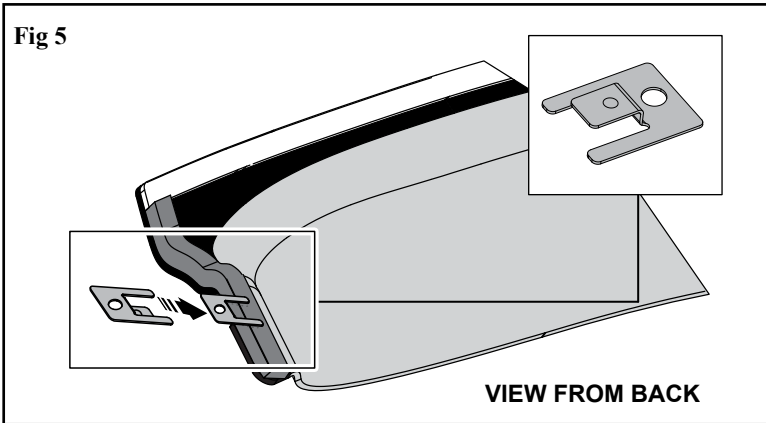
Allow the Adhesion Promoter 5 minutes drying time once applied.

Important: Keep out of contact with eyes, skin etc.

Do not inhale.

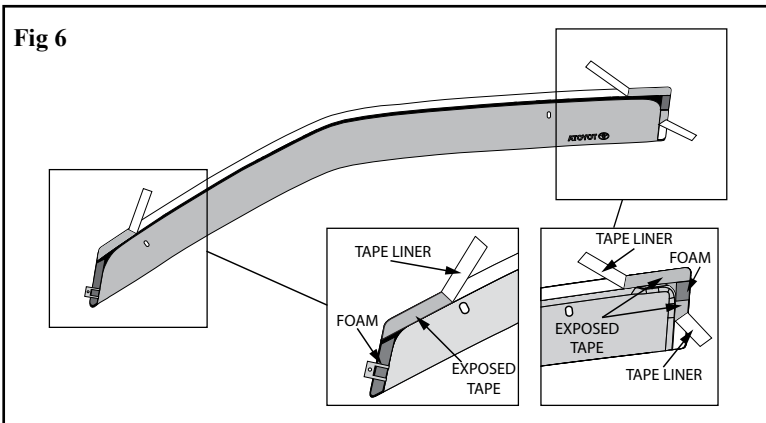
INSTALLATION PROCEDURE

Fig 5



Carefully attach the front metal clip to the front edge of the Weathershield. Ensure that the metal clip is positioned in the correct orientation and that the small nipple on the clip engages into the hole in the weathershield.

Fig 6

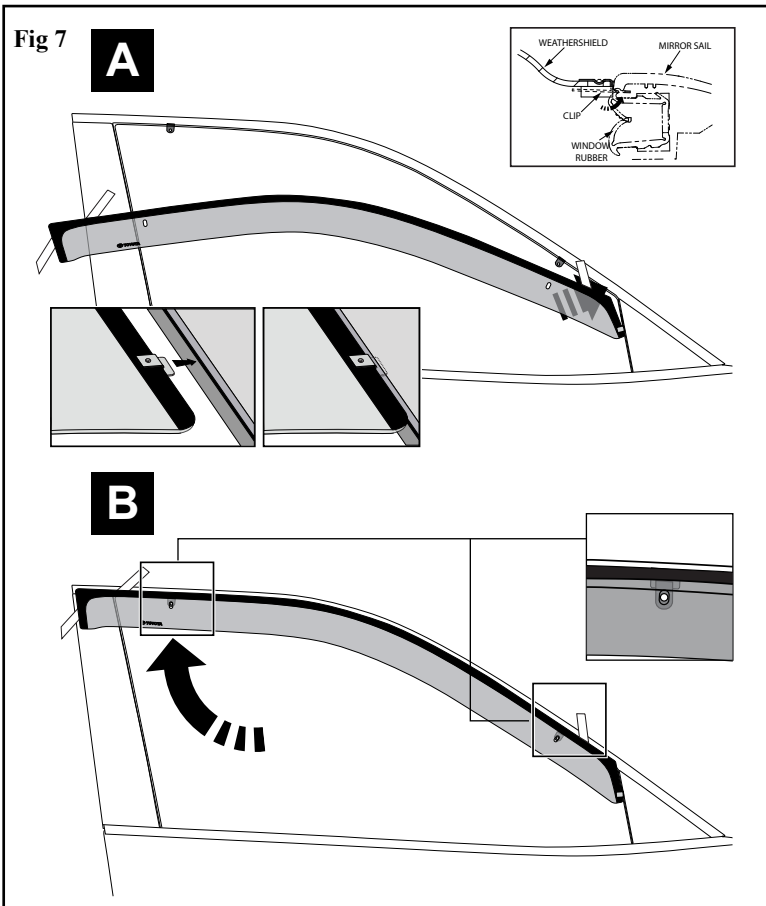


Peel approximately 50mm of tape-liner from the ends of the double-sided tape attached to the weathershield.

Fold the tape liner at 45°, as shown.

IMPORTANT: DO NOT TOUCH EXPOSED TAPE SURFACE AREAS.

Fig 7



Install the Weathershield onto the door frame in two steps.

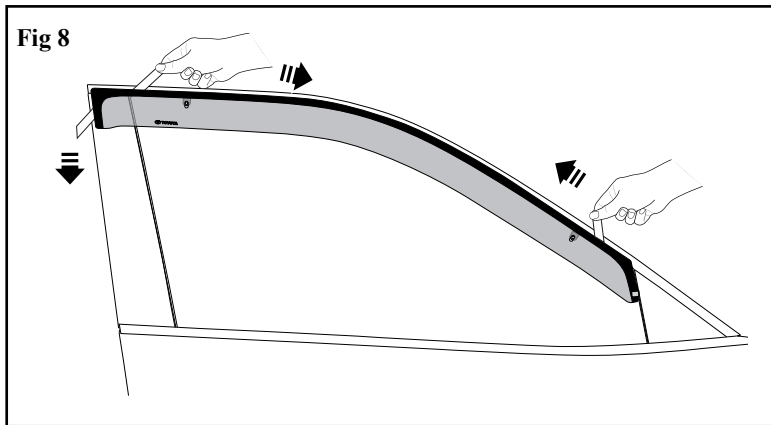
A. Insert the metal clip underneath the mirror sail with the weathershield angled at 45 degrees as shown. Ensure the foam tape at the front seals against the mirror sail.

B. Once the clip is engaged, pivot the Weathershield upward to position it as per Step A.

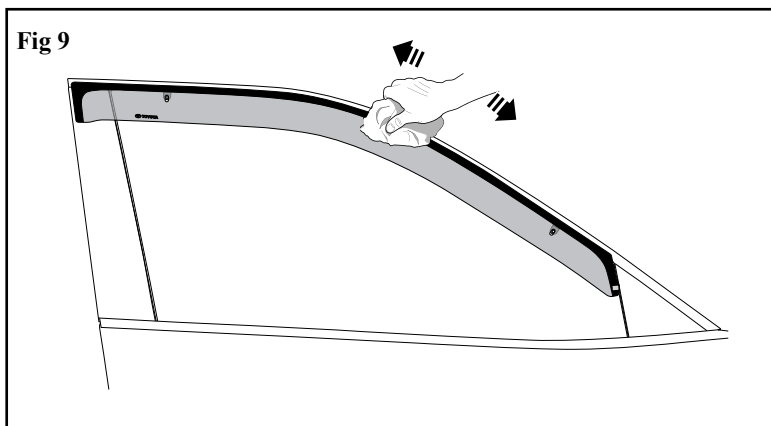
Check that the slot in the weathershield aligns with the hole in the metal clip and reposition clip if necessary. Double check the positioning of the weathershield, then apply light pressure to the tape areas.

IMPORTANT: DO NOT TOUCH EXPOSED TAPE SURFACE AREAS.

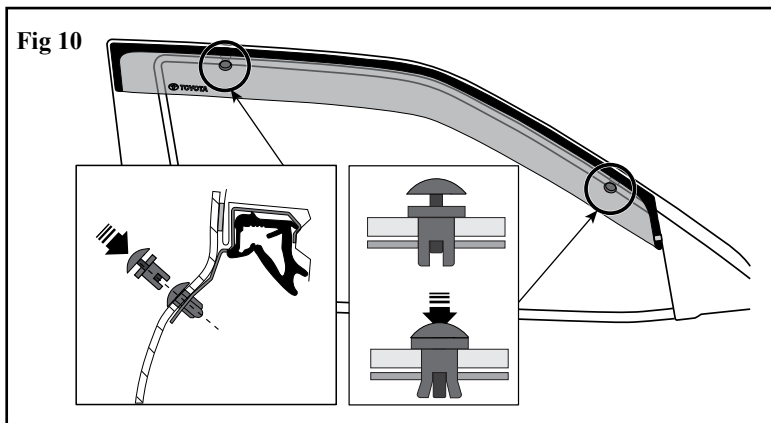
INSTALLATION PROCEDURE



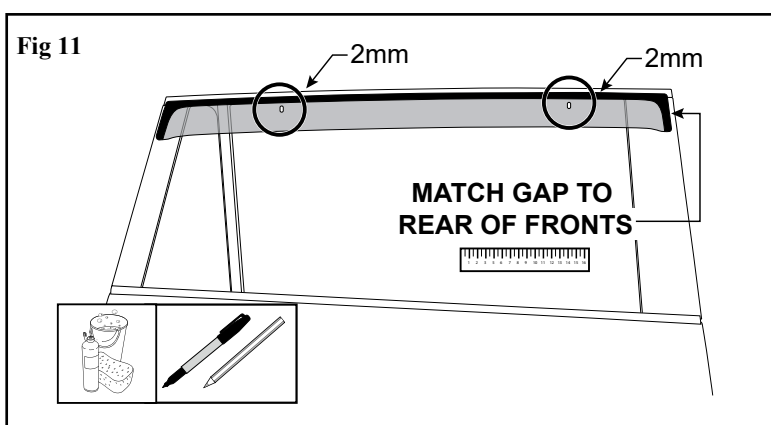
Gently peel the remaining backing tape liner away slowly by pulling on the exposed ends of the liner, apply firm pressure around the attachment areas.



Using a clean soft cloth, firmly rub down over the attachment areas a minimum of four times to ensure maximum adhesion.



Attach the push pin fixing through the slots in the Weathershield and into the metal clips.



Thoroughly clean and dry the rear door frame prior to fitment.

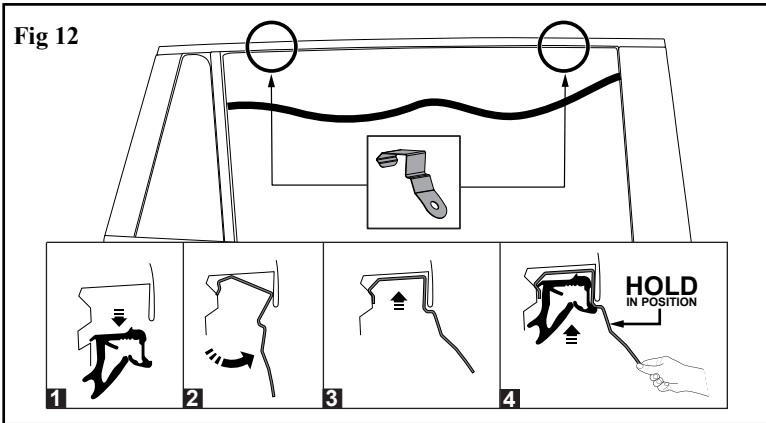
Wind the window down and using a ruler, trial fit the Weathershield 2mm from the top edge of the door frame and mirror the measured gap at the rear of the front Weathershield.

Note and mark where the two slots on the weathershield correspond to the door frame with a non-permanent pen or pencil.

Note the tape attachment areas on the door frame. Remove Weathershield.

INSTALLATION PROCEDURE

Fig 12

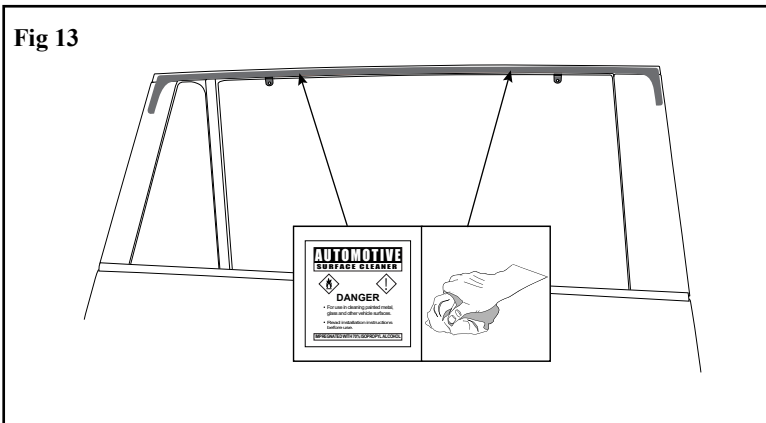


Gently pull the rubber door seal away from the door frame at the front and rear slot positions.

Install the metal clips on the door frame.

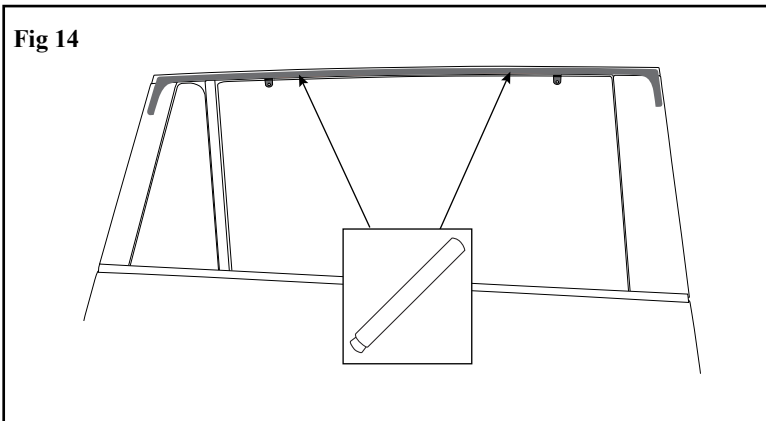
Holding the clip in the door frame, push the rubber door seal back into position.

Fig 13



Clean previously noted tape attachment areas thoroughly with the alcohol wipes provided. Wipe away any residue with a dry clean cloth.

Fig 14



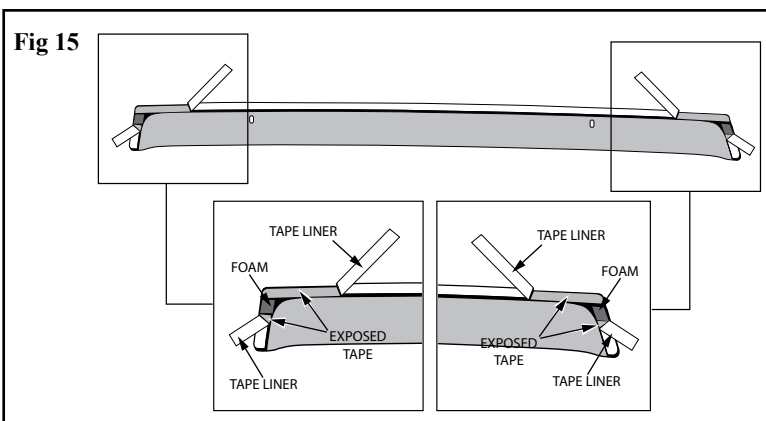
Apply adhesion promoter directly onto the tape attachment areas.

Allow the Adhesion Promoter 5 minutes drying time once applied.

Important: Keep out of contact with eyes, skin etc.

Do not inhale.

Fig 15



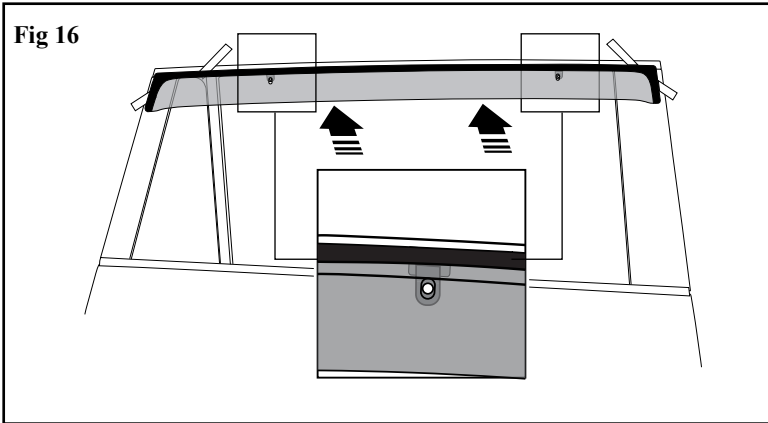
Peel approximately 50mm of tape-liner from the ends of the double-sided tape attached to the weathershield.

Fold the tape liner at 45°, as shown.

IMPORTANT: DO NOT TOUCH EXPOSED TAPE SURFACE AREAS.

INSTALLATION PROCEDURE

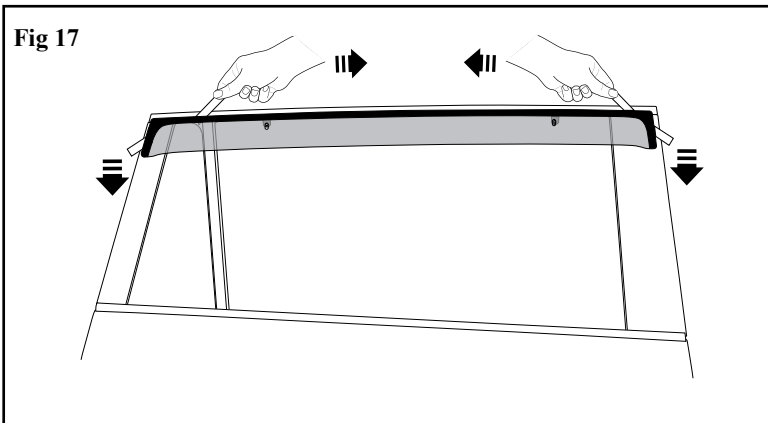
Fig 16



Position the weathershield on the door frame following the positioning in Step 11. Double check the positioning of the weathershield, then apply light pressure to the tape areas.

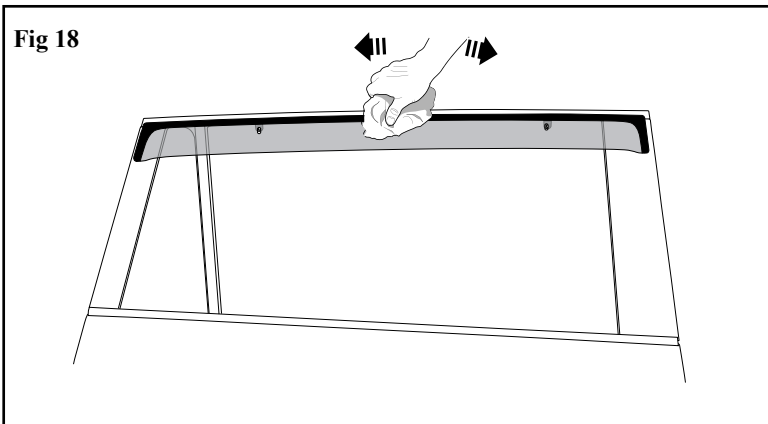
IMPORTANT: DO NOT TOUCH EXPOSED TAPE SURFACE AREAS.

Fig 17



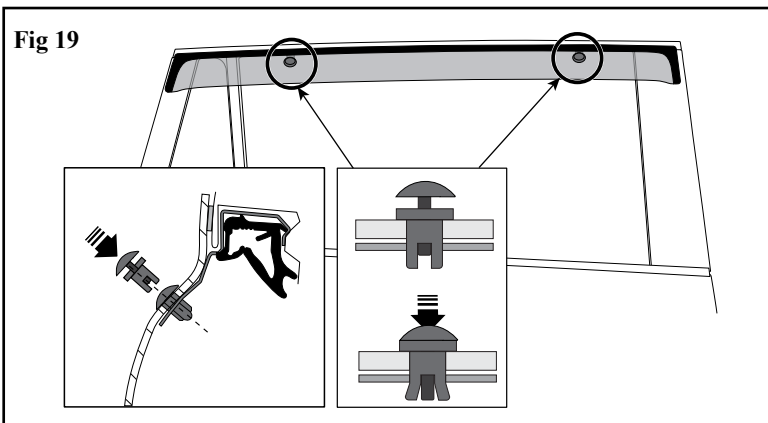
Gently peel the remaining backing tape liner away slowly by pulling on the exposed ends of the liner, apply firm pressure around the attachment areas.

Fig 18



Using a clean soft cloth, firmly rub down over the attachment areas a minimum of four times to ensure maximum adhesion.

Fig 19



Attach the push pin fixing through the slots in the Weathershield and into the metal clips.

REPEAT STEPS 1-19 FOR LHS WEATHERSHIELDS.

IMPORTANT: Conduct final inspection, ensuring all push pins and clips are correctly installed.

Care Instructions:



Clean with a mild detergent and water solution.



Do not use automatic car wash.



Do not use abrasive cleaners.