


Fitting

INSTRUCTIONS



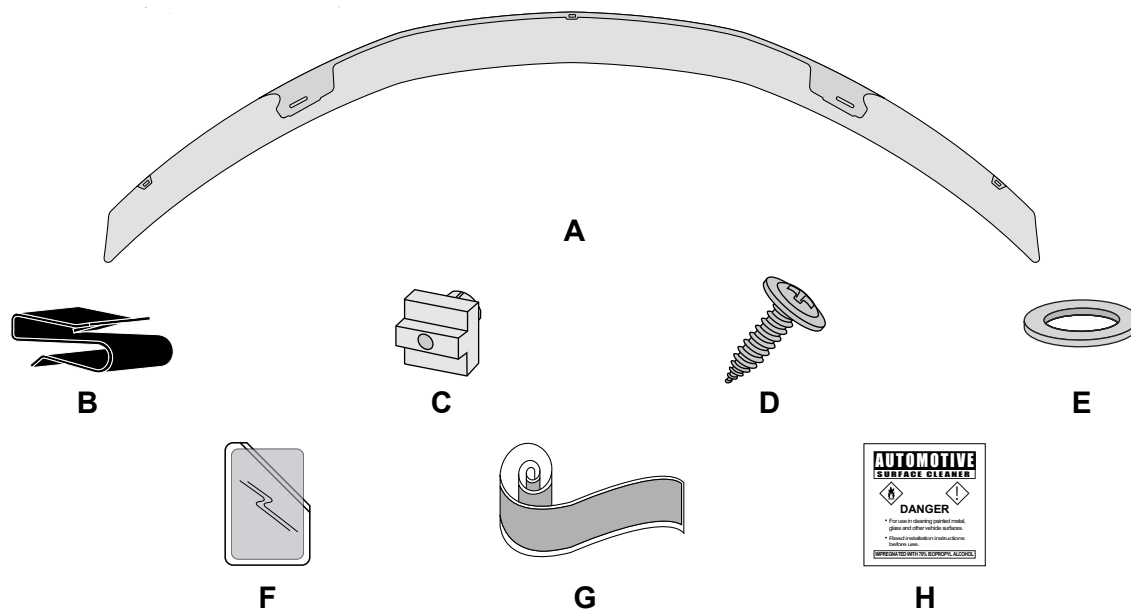
PRODUCT	Bonnet Protector	 20 MIN
APPLICATION	Nissan X-Trail - 2017	
PART NO	HG-PPCK-NIS-XTRAIL-17	DATE – 29 MARCH 2022

VERY IMPORTANT

- PLEASE READ THESE INSTRUCTIONS CAREFULLY BEFORE COMMENCING WITH FITMENT.
- ENSURE EACH STEP IS CHECKED AND TICKED OFF BEFORE MOVING ON TO THE NEXT STEP.

KIT CONTENTS

Item	Qty	Description	Item	Qty	Description
A	1	Bonnet Protector	E	2	Washer
B	3	Black Metal Clip	F	3	Abrasion Resistant Tape - Short
C	2	Screw Plug	G	2	Abrasion Resistant Tape - Long
D	2	Self-Tapping Screw	H	1	Alcohol Wipe



REQUIRED TO FIT

1x Bucket with soapy water mix
1x Phillips Head Screw Driver

1x Pencil or Non-permanent Marker

PRECAUTIONS

Ensure that you adequately cover and protect Seats, Carpets, Body parts as well as Door entry areas with non-scratch covers, before installation. Ensure that your workmanship is of the highest professional standard and that you do not scratch or damage the vehicle or accessory to be fitted.

Before commencing with fitment, carefully unwrap the product and ensure that the kit is complete and that the part is free of damage.

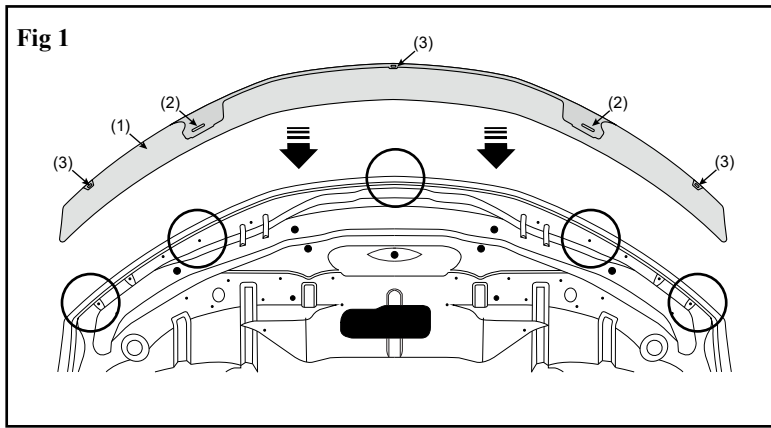
INSTALLATION PROCEDURE

Read installation instructions thoroughly before commencing installation.

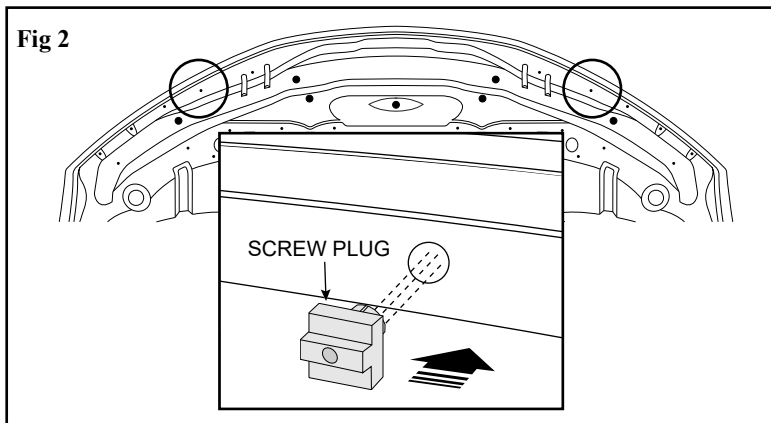
Open the bonnet and thoroughly clean and dry the top and underneath the bonnet and surrounding areas.

Trial fit the Bonnet Protector (1) centrally onto bonnet. With a non-permanent marker, note the positions of the two middle slots in the bonnet protector (2) that correspond to the holes in the underside of the bonnet. Also note and mark the three push-on clip positions (3) corresponding to the holes of the Bonnet Protector.

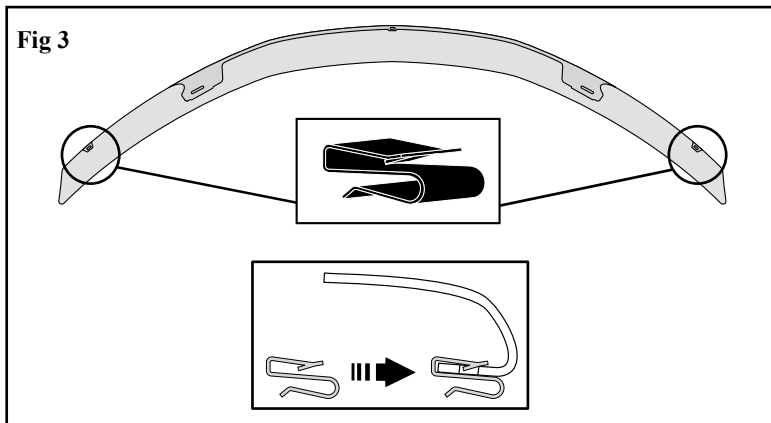
Remove Bonnet Protector.



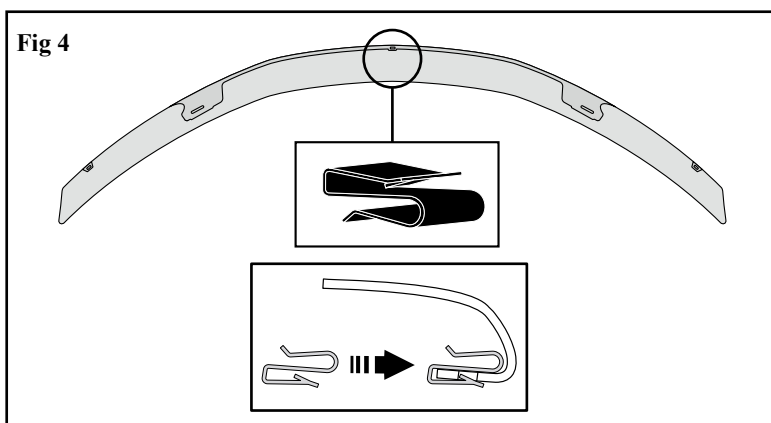
Insert the screw plugs provided into the two vacant holes.



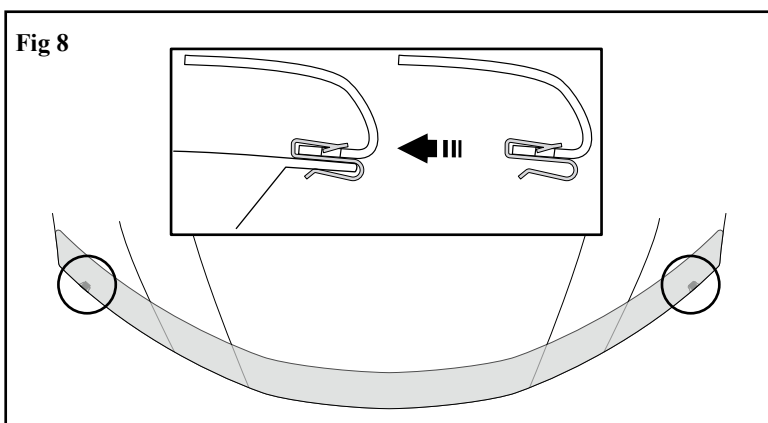
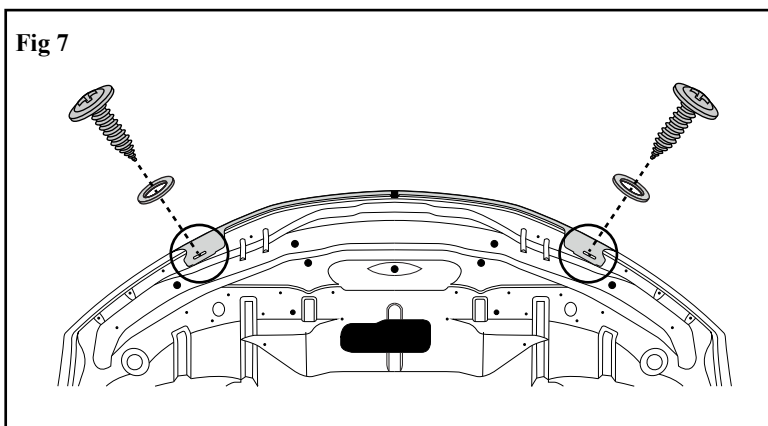
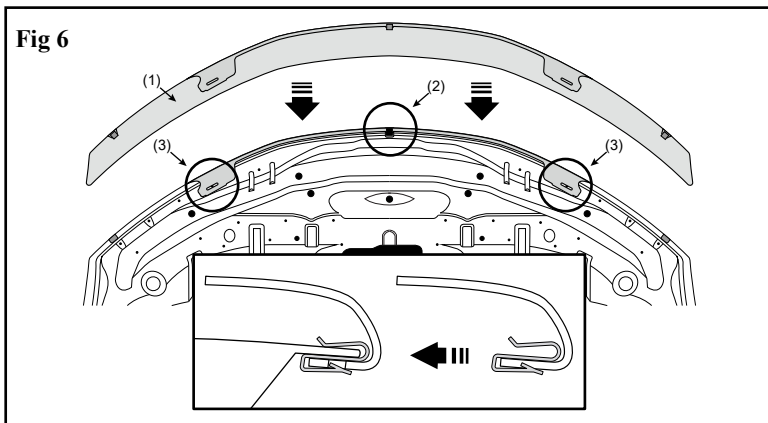
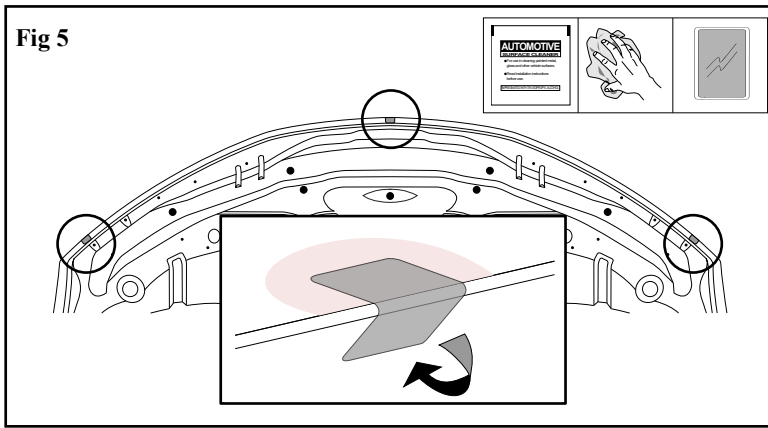
Push the metal clip onto the acrylic wing tags of the Bonnet Protector. A definite click should be heard when the acrylic tag engages with the metal clip.



Push the metal clip upside down onto the acrylic center tag of the Bonnet Protector. A definite click should be heard when the acrylic tag engages with the metal clip.

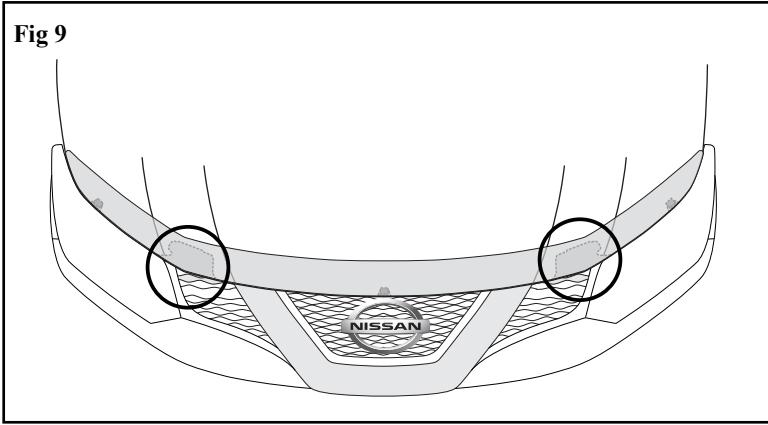


INSTALLATION PROCEDURE



INSTALLATION PROCEDURE

Fig 9

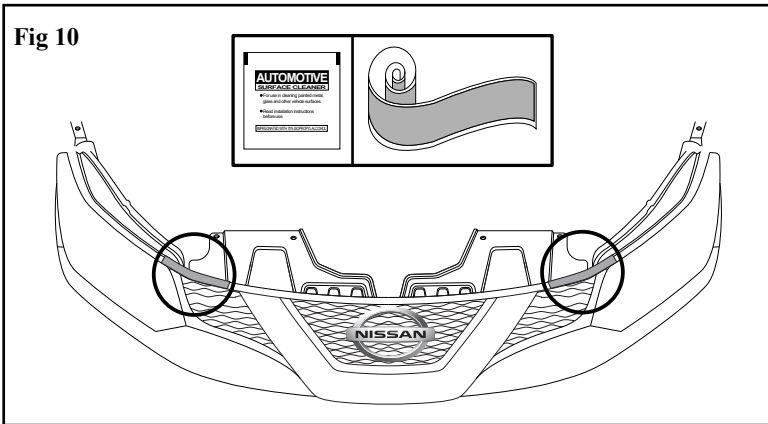


Lower the bonnet.

With a non-permanent marker, note the positions of the two acrylic tags of the bonnet protector and where they correspond to the grille area.

Open the bonnet.

Fig 10



Clean the noted areas on the grille locations with the alcohol wipe provided. Allow to dry.

Adhere the two long abrasive resistant tapes to the top surface of the grille.

To Remove Bonnet Protector:

Reverse the above procedures.

Care Instructions:



Clean with a mild detergent and water solution.



Do not use automatic car wash.



Do not use abrasive cleaners.