


# Fitting

## INSTRUCTIONS



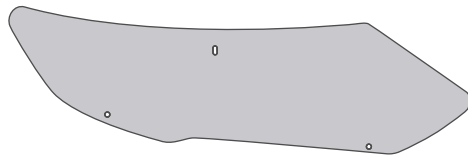
PRODUCT	Headlight Protector	 20 MIN
APPLICATION	Nissan X-Trail - 2017	
PART NO	HLP-PPCK-NIS-XTRAIL-17	DATE – 25 MARCH 2022

### VERY IMPORTANT

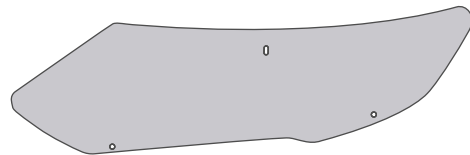
- PLEASE READ THESE INSTRUCTIONS CAREFULLY BEFORE COMMENCING WITH FITMENT.
- ENSURE EACH STEP IS CHECKED AND TICKED OFF BEFORE MOVING ON TO THE NEXT STEP.

### KIT CONTENTS

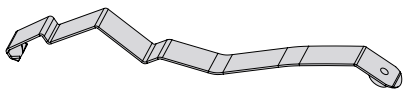
Item	Qty	Description	Item	Qty	Description
A	1	Headlight Protector "RHS"	F	6	Screw
B	1	Headlight Protector "LHS"	G	6	Washer
C	2	Top Metal Clip	H	10	Anti-Abrasive Tape
D	2	Bottom Metal Clip Inner "A"	I	1	Alcohol Wipe
E	2	Bottom Metal Clip Outer "B"			



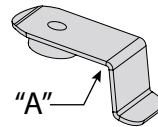
A



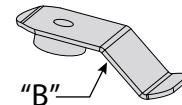
B



C



D



E



F



G



H



I

### REQUIRED TO FIT

1x Bucket with soapy water mix  
1x #2 Phillips Head Screwdriver

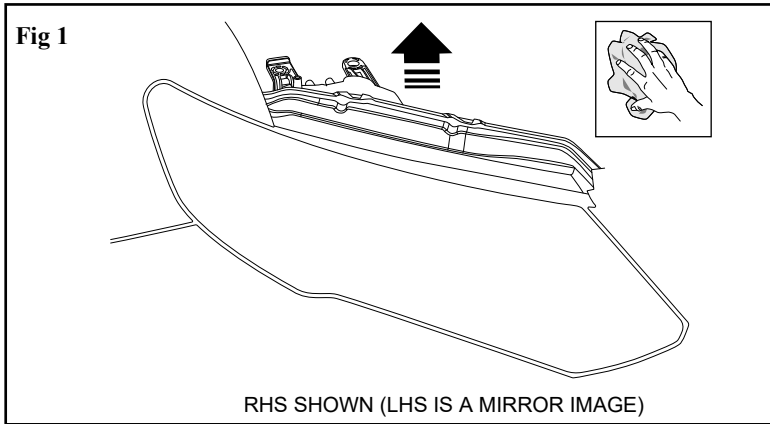
1x Pencil or non-permanent Marker

### PRECAUTIONS

Ensure that you adequately cover and protect Seats, Carpets, Body parts as well as Door entry areas with non-scratch covers, before installation. Ensure that your workmanship is of the highest professional standard and that you do not scratch or damage the vehicle or accessory to be fitted.

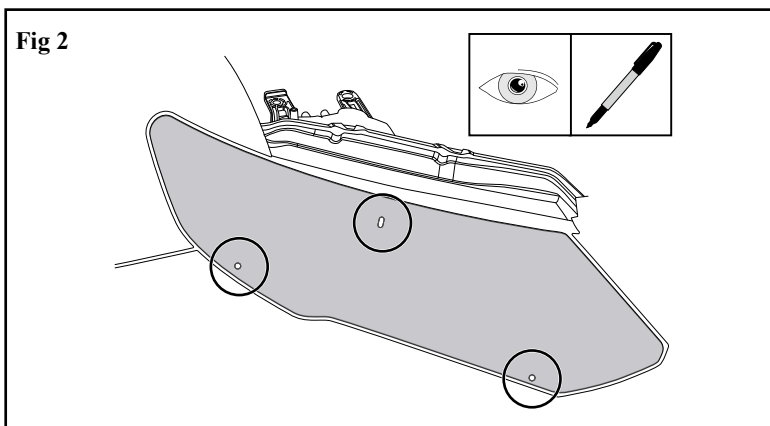
Before commencing with fitment, carefully unwrap the product and ensure that the kit is complete and that the part is free of damage.

# INSTALLATION PROCEDURE



**Read installation instructions thoroughly before commencing installation.**

Thoroughly clean the RHS headlight and surrounding area with a clean dry cloth. Open the bonnet.

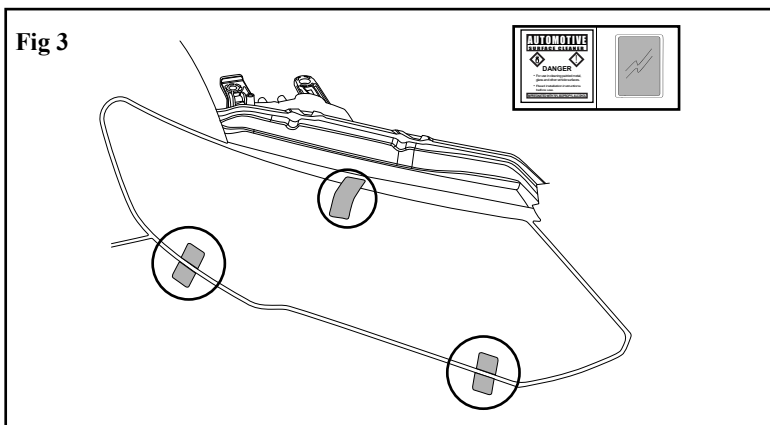


Trial fit the Headlight Protector centrally on the headlight.

Note the top slot and the two lower holes in the Headlight Protector and where they correspond with the headlight and surrounding bumper.

Mark these locations onto the headlight and bumper assembly with a non-permanent marker or pencil.

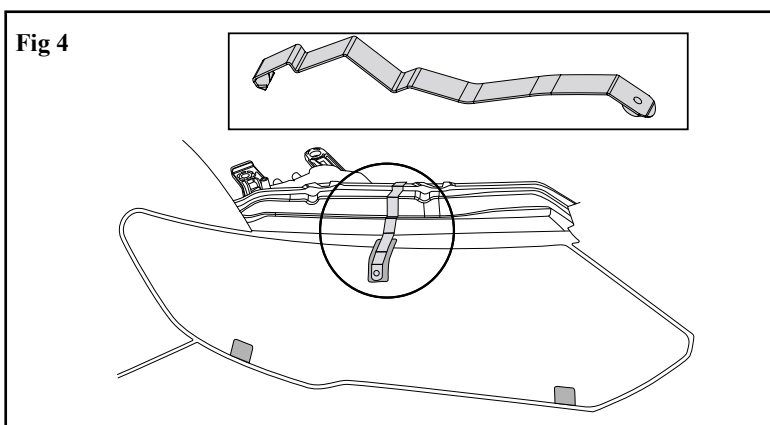
Remove the Headlight Protector.



Clean the previously noted areas with the alcohol wipe provided. Allow to dry.

Adhere three abrasion resistant tapes onto the headlight. Approximately two thirds of the abrasion resistant tape should be on the headlight surface at the marked locations.

Adhere two abrasion resistant tapes onto the bumper directly beneath the two abrasion resistant tapes on the headlight.

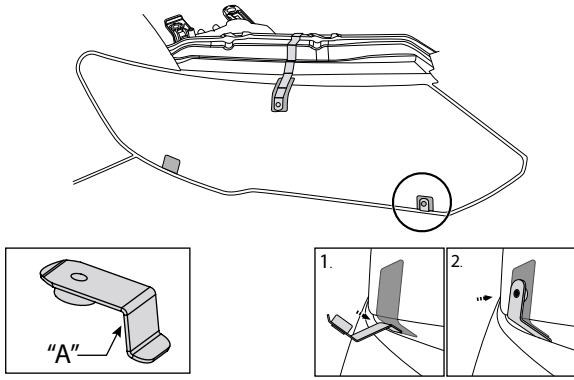


At the previously noted position, fit the top metal clip to the top of the headlight assembly.

Ensure that the metal clip is located on the abrasion resistant tape and not on the headlight lens.

# INSTALLATION PROCEDURE

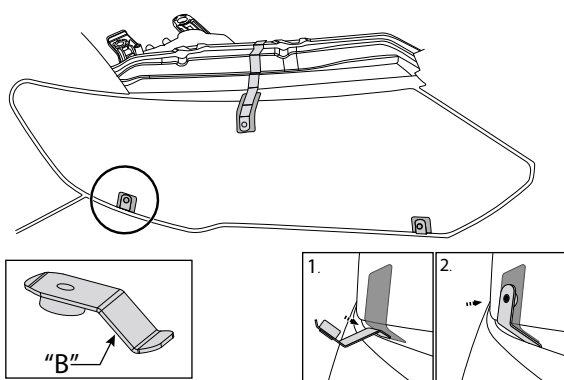
**Fig 5**



At the previously noted position, fit the bottom metal inner clip between the bumper and headlight assembly.

Ensure that the metal clip is located on the abrasion resistant tape and not on the headlight lens.

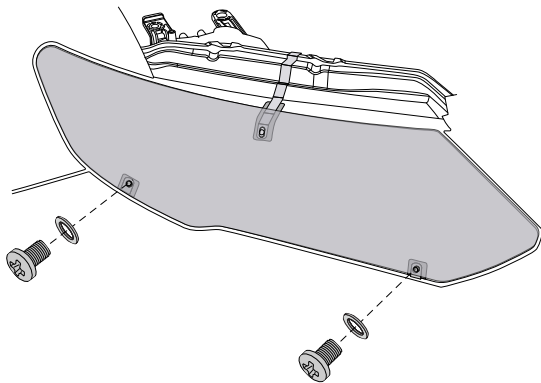
**Fig 6**



At the previously noted position, fit the bottom metal outer clip between the bumper and headlight assembly.

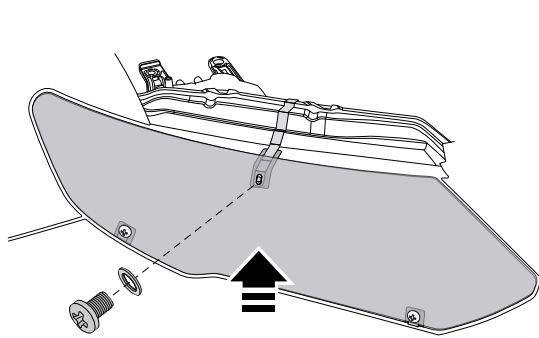
Ensure that the metal clip is located on the abrasion resistant tape and not on the headlight lens.

**Fig 7**



Secure the Headlight Protector to the two bottom metal clips with the screws and washers provided.

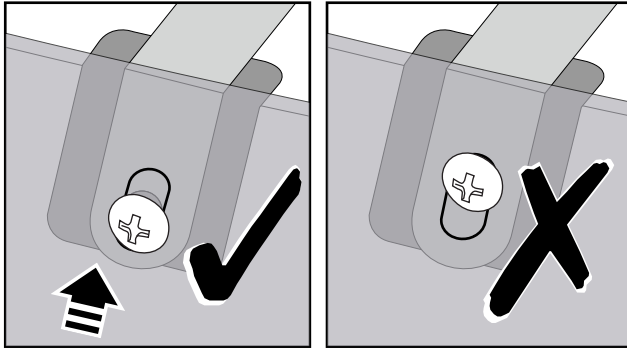
**Fig 8**



Secure the Headlight Protector to the top metal clip with the screw and washer provided, while applying upwards pressure to the Headlight Protector.

# INSTALLATION PROCEDURE

Fig 9



Ensure the screws are as close to the bottom of the Headlight Protector slot as possible.

Repeat Steps 1-9 for the LHS headlight.

**Re-check that your workmanship has been of the highest professional standard, then clean up the work area and ensure that the vehicle or accessory is not scratched or left dirty. Remove all tools, protective covers, waste materials, grease, dirt or grime from the work area.**

## Care Instructions:



Clean with a mild detergent and water solution.



Do not use automatic car wash.



Do not use abrasive cleaners.