


Fitting

INSTRUCTIONS



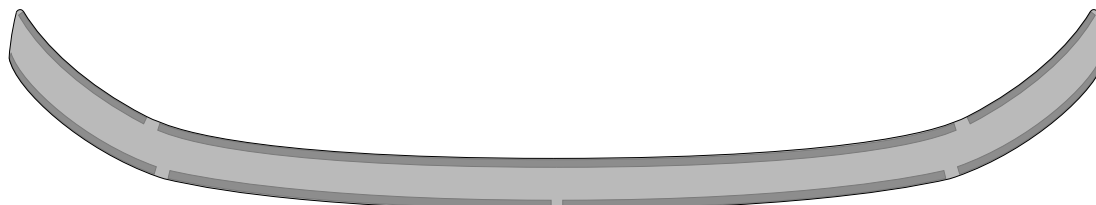
PRODUCT	Bonnet Protector	 20 MIN
APPLICATION	Hyundai Tucson - 2021	
PART NO	HG-PPCK-HYU-TUC-21	DATE – 29 MARCH 2022

VERY IMPORTANT

- PLEASE READ THESE INSTRUCTIONS CAREFULLY BEFORE COMMENCING WITH FITMENT.
- ENSURE EACH STEP IS CHECKED AND TICKED OFF BEFORE MOVING ON TO THE NEXT STEP.

KIT CONTENTS

Item	Qty	Description	Item	Qty	Description
A	1	Bonnet Protector	B	1	Alcohol Wipe



A



B

REQUIRED TO FIT

1x Bucket with soapy water mix

1x Pencil or Non-permanent Marker

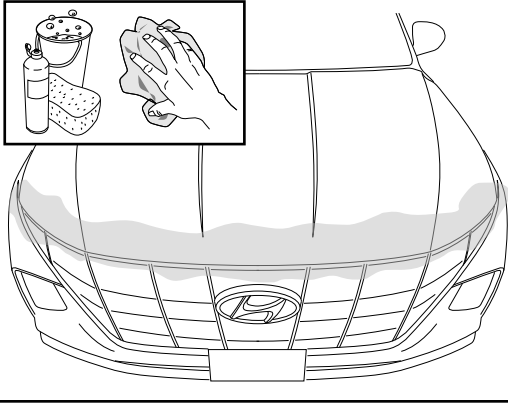
PRECAUTIONS

Ensure that you adequately cover and protect Seats, Carpets, Body parts as well as Door entry areas with non-scratch covers, before installation. Ensure that your workmanship is of the highest professional standard and that you do not scratch or damage the vehicle or accessory to be fitted.

Before commencing with fitment, carefully unwrap the product and ensure that the kit is complete and that the part is free of damage.

INSTALLATION PROCEDURE

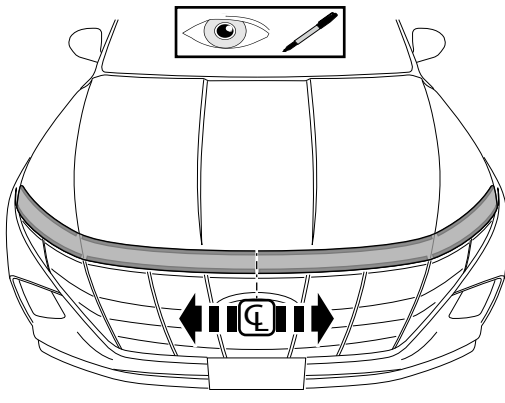
Fig 1



Read installation instructions thoroughly before commencing installation.

Open the bonnet and thoroughly clean and dry the top and underneath the bonnet and surrounding areas.

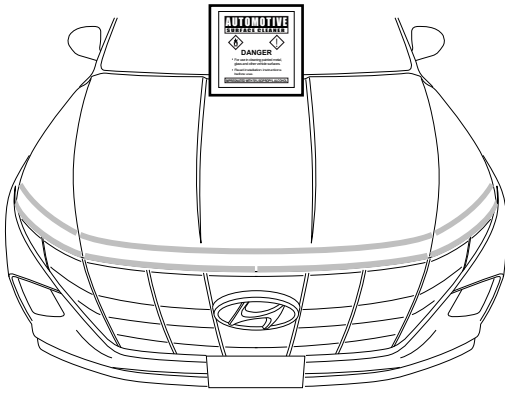
Fig 2



Trial fit the Bonnet Protector centrally onto the bonnet (1).
Centralise the Bonnet Protector on the bonnet and mark the centre on the bonnet with a non-permanent felt pen or pencil.

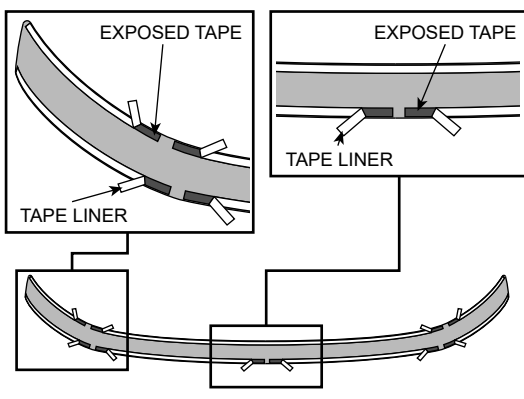
Remove the Bonnet Protector.

Fig 3



Clean the tape attachment areas with the provided Alcohol Wipe (2) and allow to dry.

Fig 4

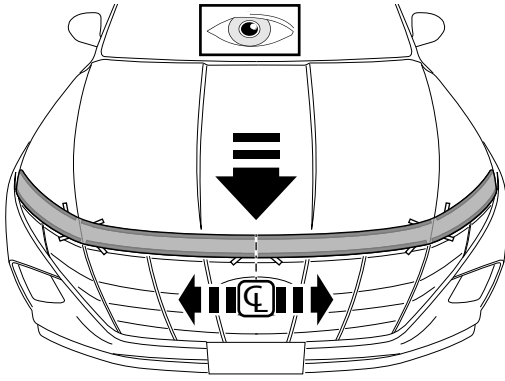


Peel back approximately 50mm of the backing tape liner from each of the tape sections and fold at 45° to the outside, as shown.

Do not touch the exposed surface of the backing tape.

INSTALLATION PROCEDURE

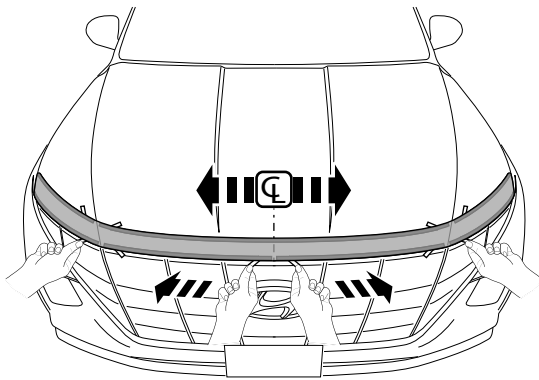
Fig 5



Centrally place the Bonnet Protector on the bonnet and apply light pressure to the centre of the part where the tape is exposed.

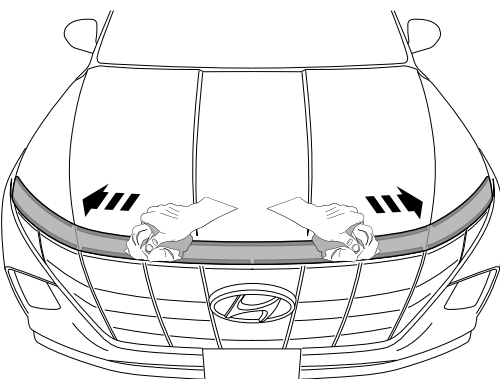
Apply light pressure to the outer areas of exposed tape.

Fig 6



Peel the remaining backing tape liner away slowly by pulling on the exposed ends of the liner, and apply firm pressure around the attachment areas.

Fig 7



Using a clean dry cloth, firmly rub outward over the attachment areas a minimum of four times to ensure maximum adhesion.

To Remove Bonnet Protector:
Reverse the above procedures.

Care Instructions:



Clean with a mild detergent and water solution.



Do not use automatic car wash.



Do not use abrasive cleaners.