


Fitting

INSTRUCTIONS

EGR

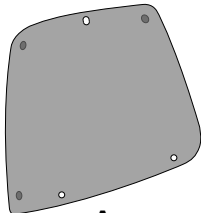
PRODUCT	Headlight Protector	 20 MIN
APPLICATION	Hyundai Tucson - 2021	
PART NO	HLP-PPCK-HYU-TUC-21	DATE – 25 MARCH 2022

VERY IMPORTANT

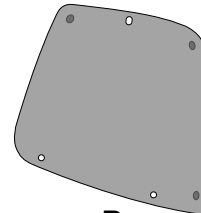
- PLEASE READ THESE INSTRUCTIONS CAREFULLY BEFORE COMMENCING WITH FITMENT.
- ENSURE EACH STEP IS CHECKED AND TICKED OFF BEFORE MOVING ON TO THE NEXT STEP.

KIT CONTENTS

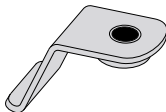
Item	Qty	Description	Item	Qty	Description
A	1	Headlight Protector "RHS"	E	6	Screw
B	1	Headlight Protector "LHS"	F	6	Washer
C	2	Top Metal Clip	G	6	Anti-Abrasive Tape
D	4	Bottom Metal Clip	H	1	Alcohol Wipe



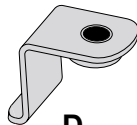
A



B



C



D



E



F



G



H

REQUIRED TO FIT

1x Bucket with soapy water mix
1x #2 Phillips Head Screwdriver

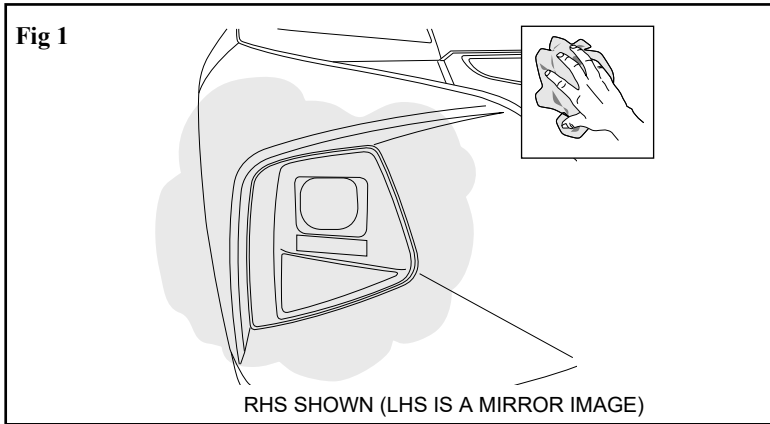
1x Pencil or non-permanent Marker

PRECAUTIONS

Ensure that you adequately cover and protect Seats, Carpets, Body parts as well as Door entry areas with non-scratch covers, before installation. Ensure that your workmanship is of the highest professional standard and that you do not scratch or damage the vehicle or accessory to be fitted.

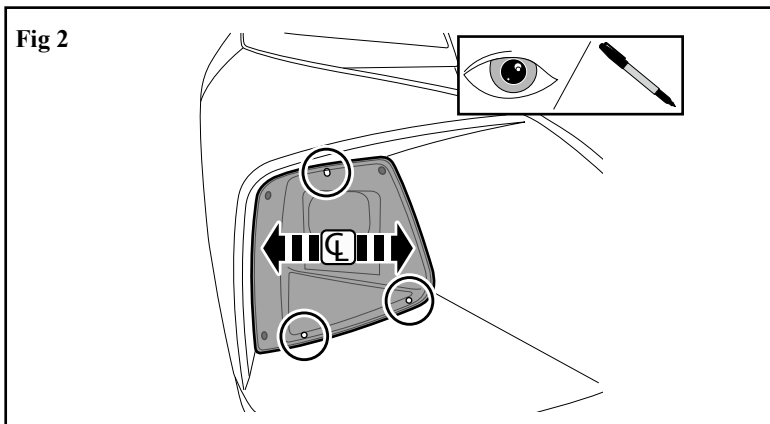
Before commencing with fitment, carefully unwrap the product and ensure that the kit is complete and that the part is free of damage.

INSTALLATION PROCEDURE



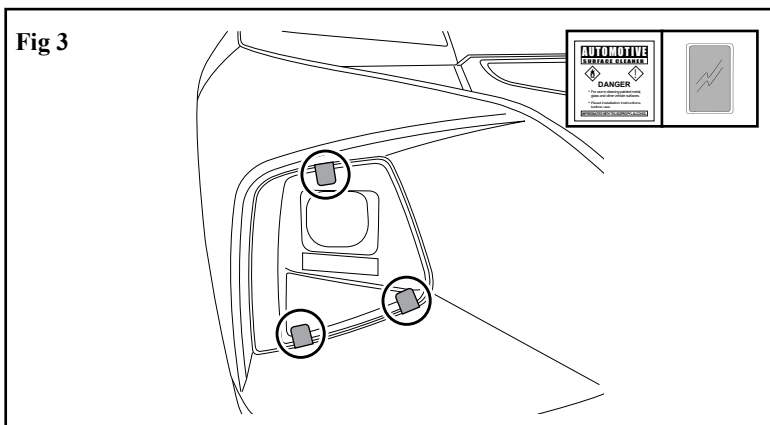
Read installation instructions thoroughly before commencing installation.

Open the bonnet and thoroughly clean and dry both headlights and their surrounding areas.



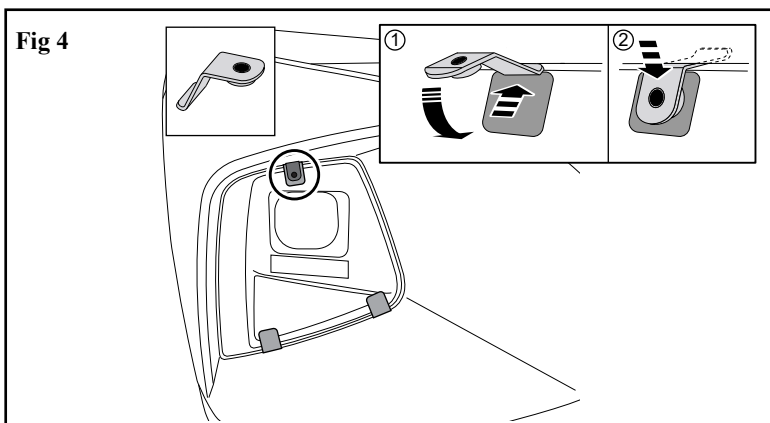
Trial fit the RHS Headlight Protector centrally on the headlight.

- Note the areas of the headlight assembly that corresponds to the top slot and bottom hole locations. Mark the positions on the headlight with a non-permanent felt pen or pencil.
- Remove the RHS Headlight Protector.



Clean the previously noted slot and hole locations with the alcohol wipe provided. Allow to dry.

Adhere Abrasion Resistant Tape to the cleaned slot and hole locations on the headlight lens.



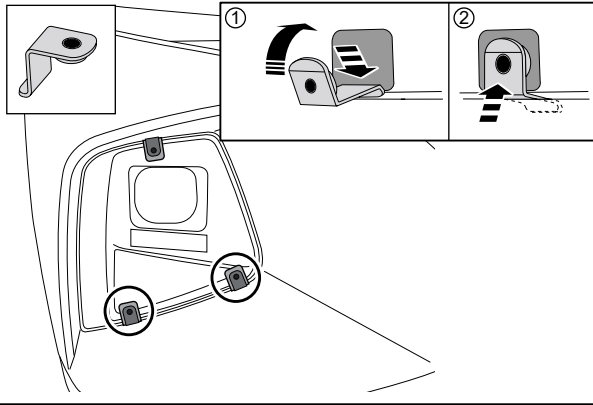
Fit the Top Metal Clip in the gap between the headlight and the bumper at the previously noted top slot position.

Install the clip by hand. Do not use tools.

Ensure that the metal clip is positioned over the Abrasion Resistant Tape and does not come into contact with the headlamp.

INSTALLATION PROCEDURE

Fig 5

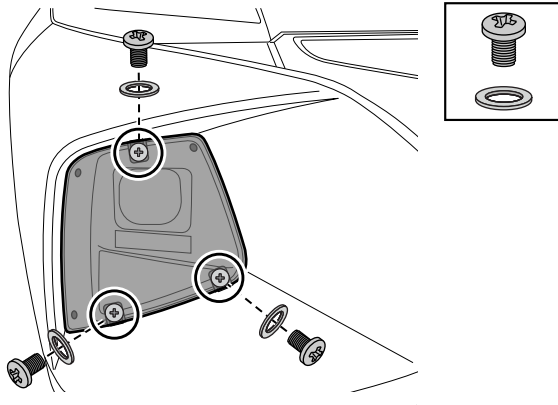


Fit the Bottom Metal Clips in the gap between the headlight and the bumper at the previously noted bottom hole positions.

Install the clip by hand. Do not use tools.

Ensure that the metal clip is positioned over the Abrasion Resistant Tape and does not come into contact with the headlamp.

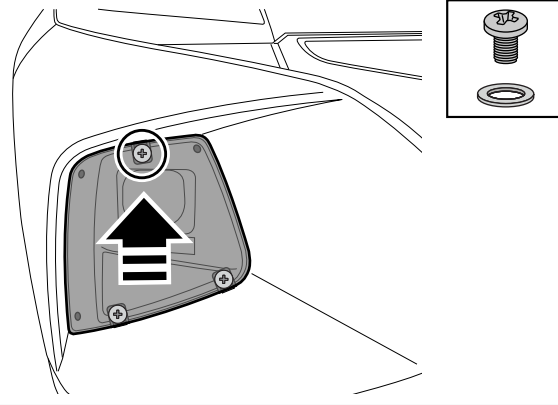
Fig 6



Loosely secure the Headlight Protector to the headlamp with the screws and washers provided.

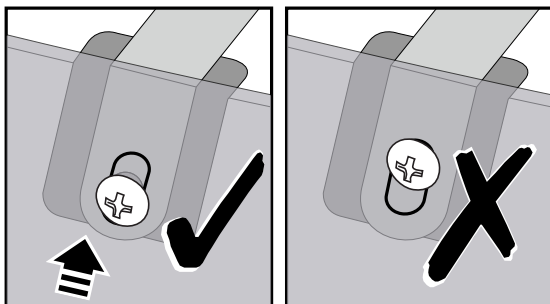
Tighten the bottom screws.

Fig 7



Apply firm upward pressure to the RHS Headlight Protector and tighten the top screw.

Fig 8



Ensure that the top screw is as close as possible to the bottom of the slots in the Headlight Protector.

Repeat steps 2-8 for the LHS Headlight.

INSTALLATION PROCEDURE

Re-check that your workmanship has been of the highest professional standard, then clean up the work area and ensure that the vehicle or accessory is not scratched or left dirty. Remove all tools, protective covers, waste materials, grease, dirt or grime from the work area.

Care Instructions:



Clean with a mild detergent and water solution.



Do not use automatic car wash.



Do not use abrasive cleaners.