


# Fitting

## INSTRUCTIONS



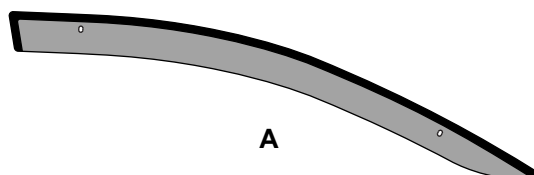
PRODUCT	Slimline Weathershield	 20 MIN
APPLICATION	Hyundai Tucson - 2021	
PART NO	SW-PPCK-HYU-TUC-21	DATE – 30 MARCH 2022

### VERY IMPORTANT

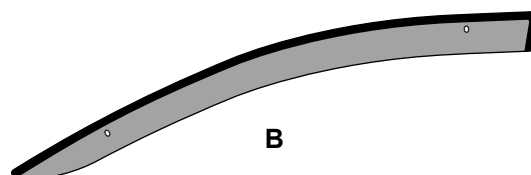
- PLEASE READ THESE INSTRUCTIONS CAREFULLY BEFORE COMMENCING WITH FITMENT.
- ENSURE EACH STEP IS CHECKED AND TICKED OFF BEFORE MOVING ON TO THE NEXT STEP.

### KIT CONTENTS

Item	Qty	Description	Item	Qty	Description
A	1	RHS Front Weathershield	F	8	Push Pin
B	1	LHS Front Weathershield	G	4	Alcohol Wipe
C	1	RHS Rear Weathershield	H	2	Adhesion Promoter
D	1	LHS Rear Weathershield	I	1	Felt Block
E	8	Metal Clip			



A



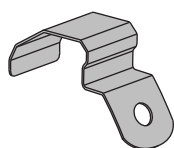
B



C



D



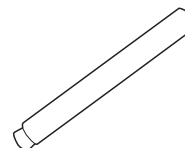
E



F



G



H



I

### REQUIRED TO FIT

1x Bucket with soapy water mix  
1x Ruler

1x Pencil or non-permanent Marker

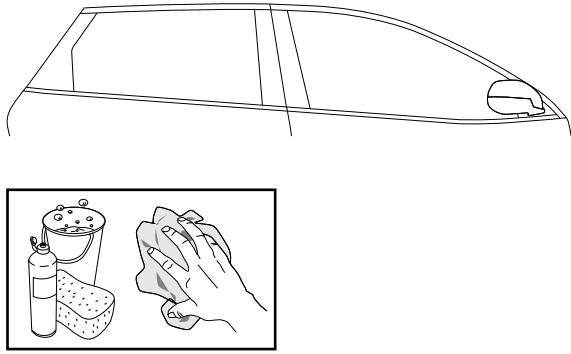
### PRECAUTIONS

Ensure that you adequately cover and protect Seats, Carpets, Body parts as well as Door entry areas with non-scratch covers, before installation. Ensure that your workmanship is of the highest professional standard and that you do not scratch or damage the vehicle or accessory to be fitted.

Before commencing with fitment, carefully unwrap the product and ensure that the kit is complete and that the part is free of damage.

# INSTALLATION PROCEDURE

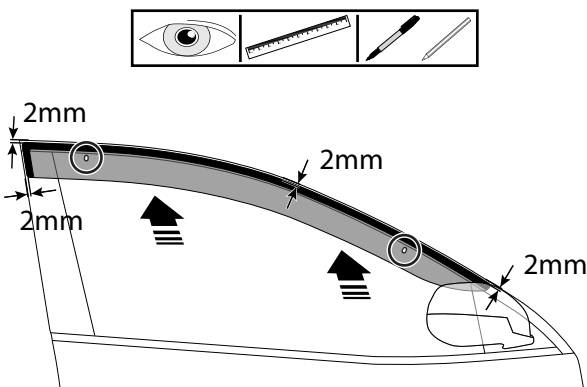
Fig 1



**Read installation instructions thoroughly before commencing installation.**

Thoroughly clean and dry the upper door frames of the front doors.

Fig 2

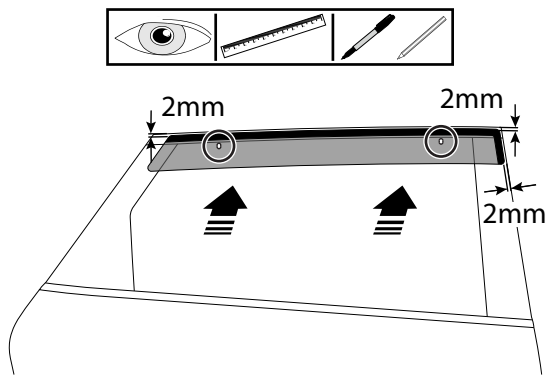


Wind the window down and trial fit the front RHS Weathershield 2mm from the top edge of the door frame, and 2mm from the rear edge of the door frame, as shown.

Note the backing tape attachment areas and two mounting hole locations.

Remove the front RHS Slimline Weathershield.

Fig 3

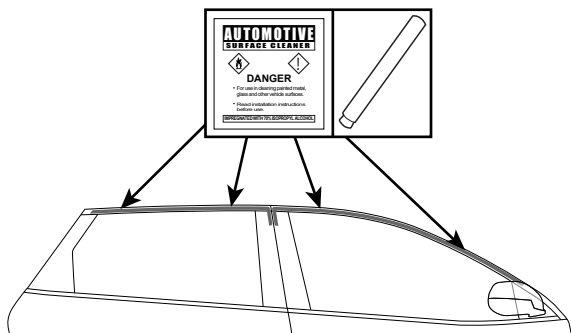


Wind the window down and trial fit the rear RHS Weathershield 2mm from the top edge of the door frame, and 2mm from the front edge of the door frame, as shown.

Note the backing tape attachment areas and two mounting hole locations.

Remove the rear RHS Slimline Weathershield.

Fig 4



Clean the tape attachment areas on all four door frames thoroughly with the alcohol wipes provided, and allow to dry.

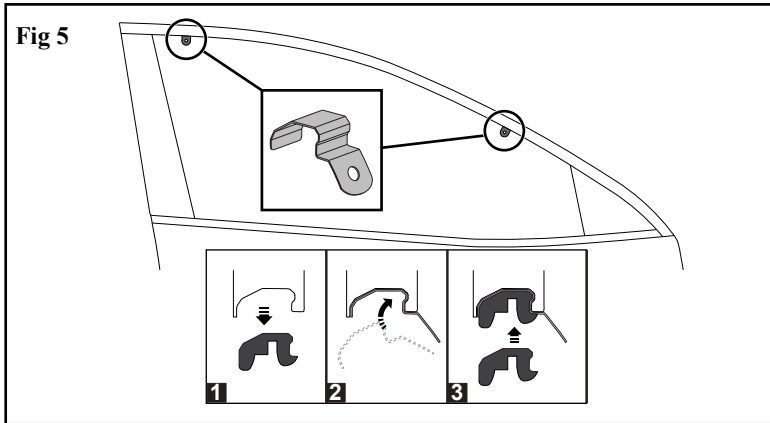
Apply adhesion promoter directly onto the tape attachment areas of all four door frames.

Allow the Adhesion Promoter 5 minutes drying time once applied.

Keep out of contact with eyes, skin etc.

Do not inhale.

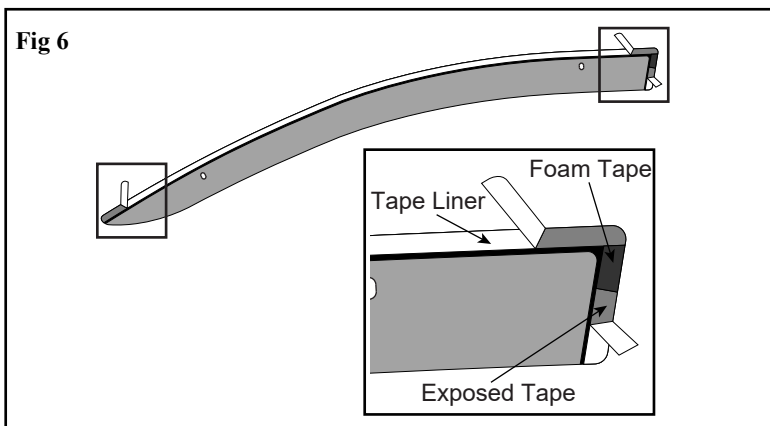
# INSTALLATION PROCEDURE



Gently pull the rubber door seal away from the door frame and install the top metal clips at the two noted locations in between the door channel and the rubber door seal.

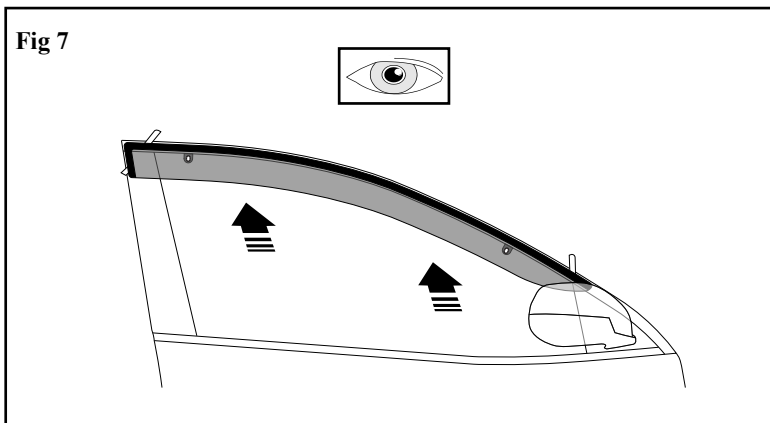
Push the rubber door seal back into position once the clips have been securely installed.

Install Metal Clips by hand. Do not use tools.



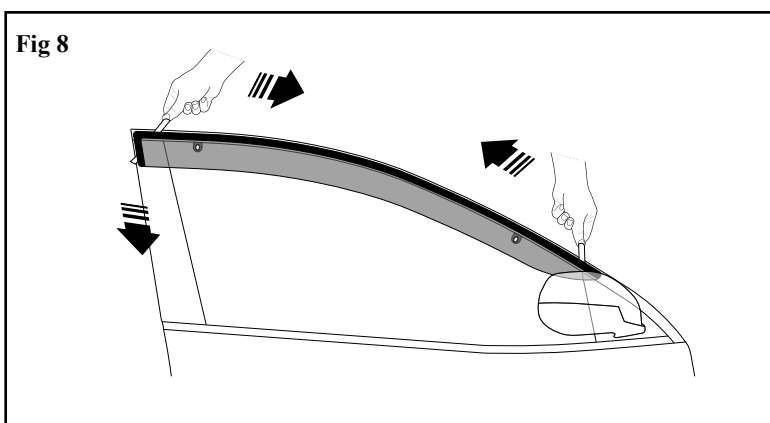
On the front RHS Slimline Weathershield, peel back approximately 50mm of the backing tape liner from each of the tape sections and fold at 45° to the outside, as shown.

Do not touch the exposed surface of the backing tape.



Position the front RHS Slimline Weathershield on the front RHS door frame following the positioning in Step 2.

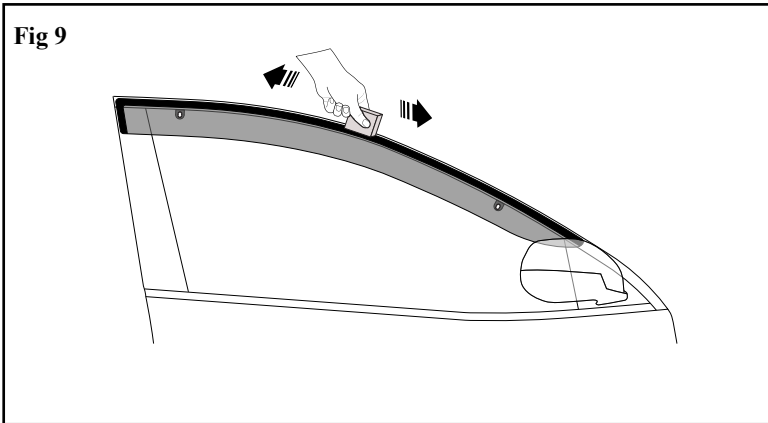
Double check the positioning of the front RHS Slimline Weathershield, then apply light pressure to the tape areas.



Peel the remaining backing tape liner away slowly by pulling on the exposed ends of the liner, and apply firm pressure around the attachment areas.

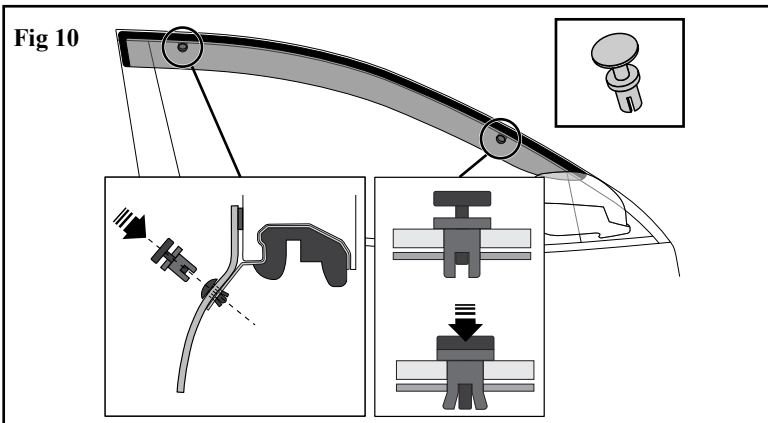
# INSTALLATION PROCEDURE

Fig 9



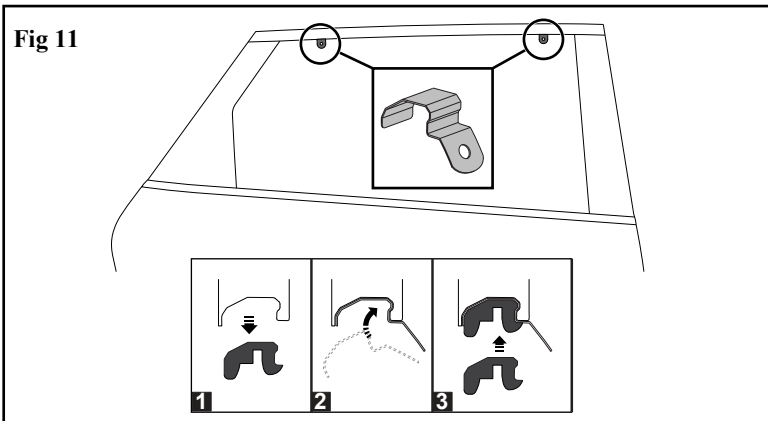
Using the Felt Block, firmly rub down over the attachment areas a minimum of four times to ensure maximum adhesion.

Fig 10



Secure the front RHS Slimline Weathershield to the metal clips by inserting and depressing the push rivets into the previously noted slots in the Weathershield and into the metal clips.

Fig 11

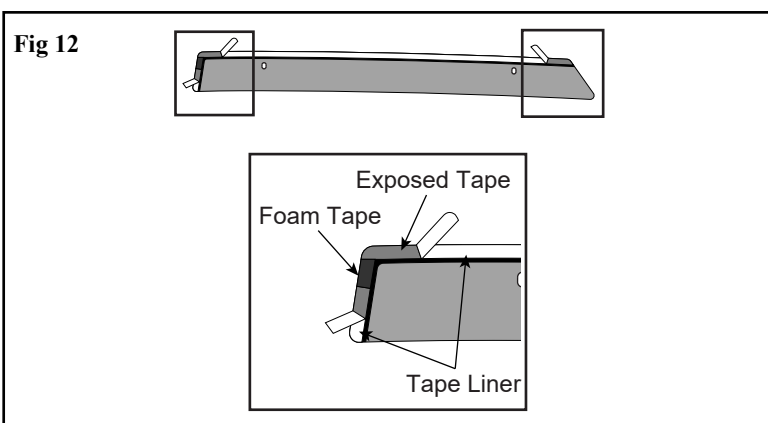


Gently pull the rubber door seal away from the door frame and install the top metal clips at the two noted locations in between the door channel and the rubber door seal.

Push the rubber door seal back into position once the clips have been securely installed.

Install Metal Clips by hand. Do not use tools.

Fig 12

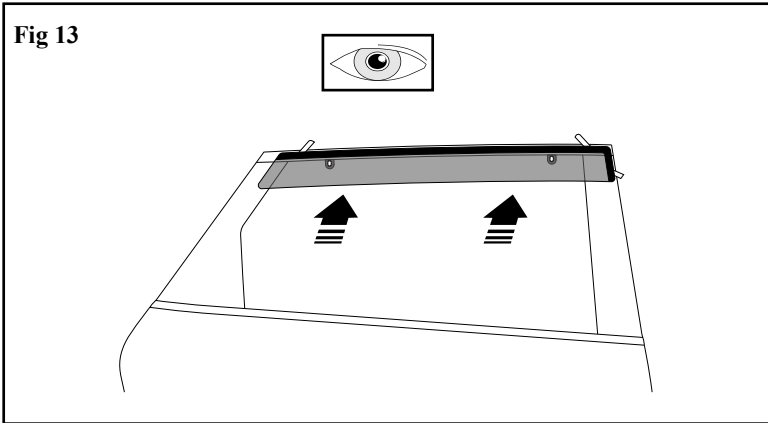


On the rear RHS Slimline Weathershield, peel back approximately 50mm of the backing tape liner from each of the tape sections and fold at 45° to the outside, as shown.

Do not touch the exposed surface of the backing tape.

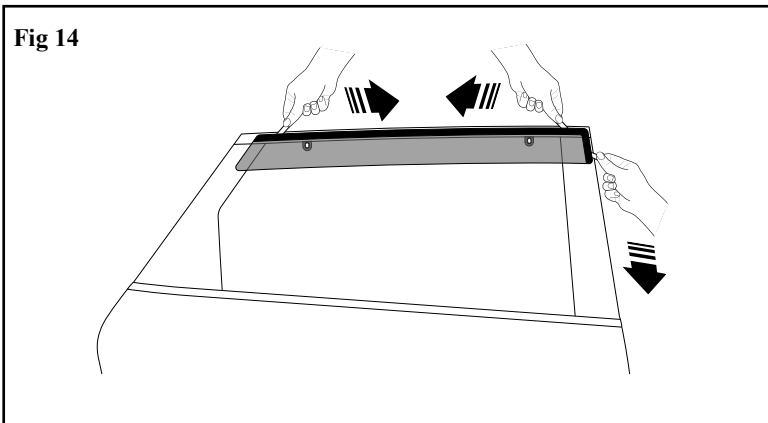
# INSTALLATION PROCEDURE

Fig 13



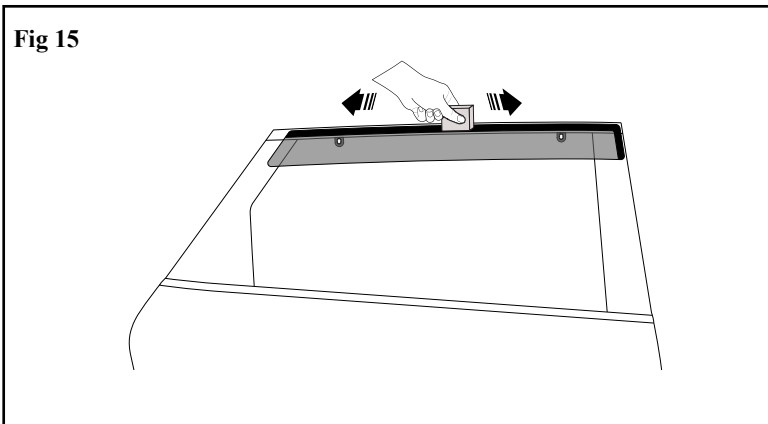
Position the rear RHS Slimline Weathershield on the rear RHS door frame following the positioning in Step 3. Double check the positioning of the rear RHS Slimline Weathershield, then apply light pressure to the tape areas.

Fig 14



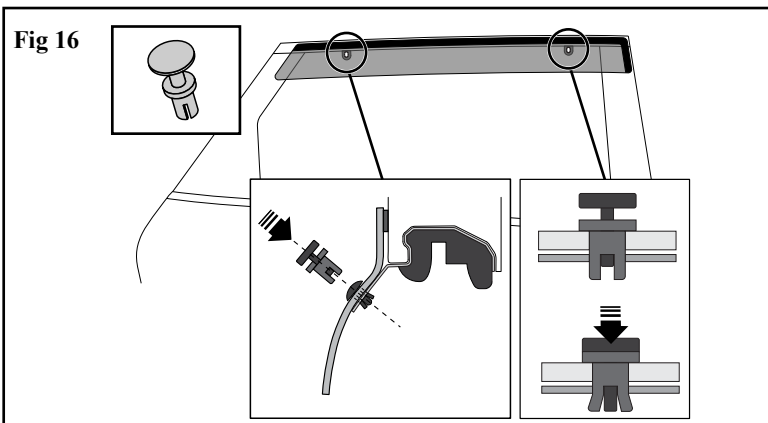
Peel the remaining backing tape liner away slowly by pulling on the exposed ends of the liner, and apply firm pressure around the attachment areas.

Fig 15



Using the Felt Block, firmly rub down over the attachment areas a minimum of four times to ensure maximum adhesion.

Fig 16



Secure the rear RHS Slimline Weathershield to the metal clips by inserting and depressing the push rivets into the previously noted slots in the Weathershield and into the metal clips.

REPEAT STEPS 2-16 FOR LHS WEATHERSHIELDS.

**IMPORTANT:** Conduct final inspection, ensuring all push pins and clips are correctly installed.

## Care Instructions:



Clean with a mild detergent and water solution.



Do not use automatic car wash.



Do not use abrasive cleaners.