


Fitting

INSTRUCTIONS



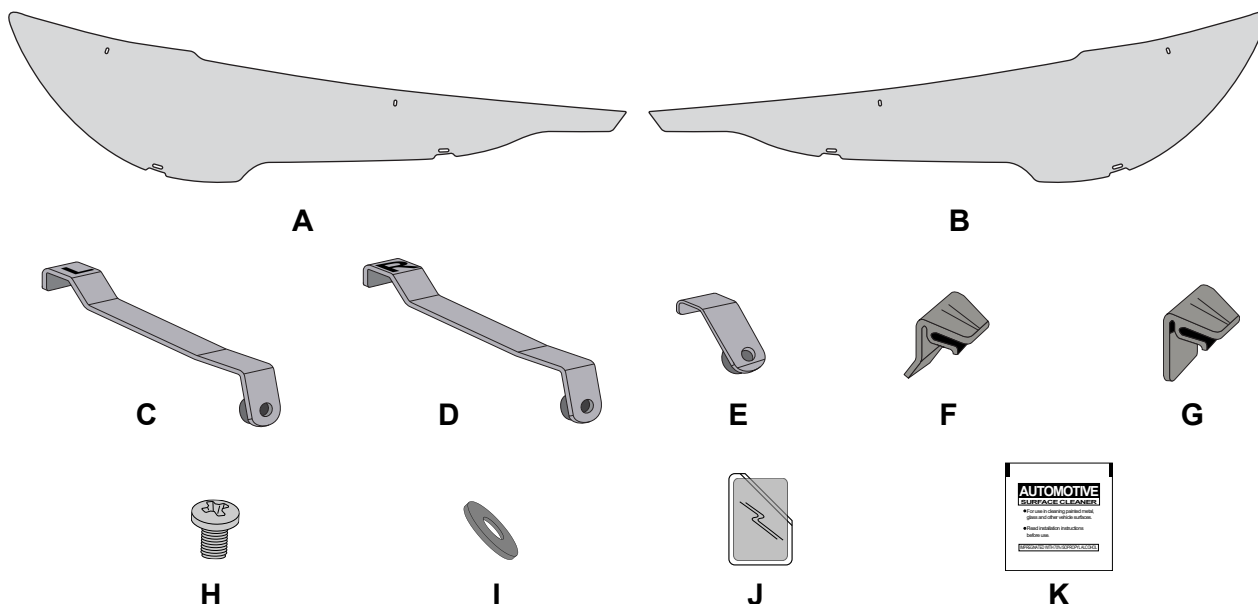
| | | |
|-------------|-----------------------|--|
| PRODUCT | HEADLIGHT PROTECTOR |  20 MIN |
| APPLICATION | Mazda CX5 - 2017 | |
| PART NO | HLP-PPCK-MAZ-CX5-MY17 | DATE – 23 FEBRUARY 2022 |

VERY IMPORTANT

- PLEASE READ THESE INSTRUCTIONS CAREFULLY BEFORE COMMENCING WITH FITMENT.
- ENSURE EACH STEP IS CHECKED AND TICKED OFF BEFORE MOVING ON TO THE NEXT STEP.

KIT CONTENTS

| Item | Qty | Description | Item | Qty | Description |
|------|-----|----------------------------|------|-----|-------------------------|
| A | 1 | Headlight Protector "RHS" | G | 2 | Inner Plastic Clip |
| B | 1 | Headlight Protector "LHS" | H | 4 | Screw |
| C | 1 | Inner Metal Clip Left "L" | I | 4 | Washer |
| D | 1 | Inner Metal Clip Right "R" | J | 4 | Abrasion Resistant Tape |
| E | 2 | Outer Metal Clip | K | 1 | Alcohol Wipe |
| F | 2 | Outer Plastic Clip | | | |



REQUIRED TO FIT

1x Bucket with soapy water mix

1x Pencil or non-permanent Marker

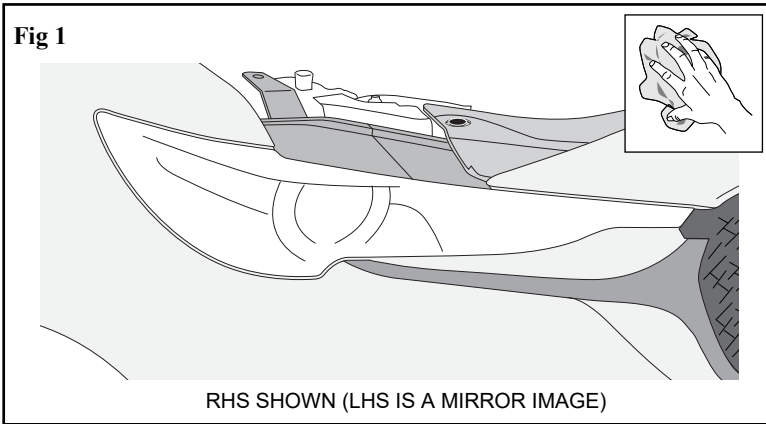
PRECAUTIONS

Ensure that you adequately cover and protect Seats, Carpets, Body parts as well as Door entry areas with non-scratch covers, before installation. Ensure that your workmanship is of the highest professional standard and that you do not scratch or damage the vehicle or accessory to be fitted.

Before commencing with fitment, carefully unwrap the product and ensure that the kit is complete and that the part is free of damage.

INSTALLATION PROCEDURE

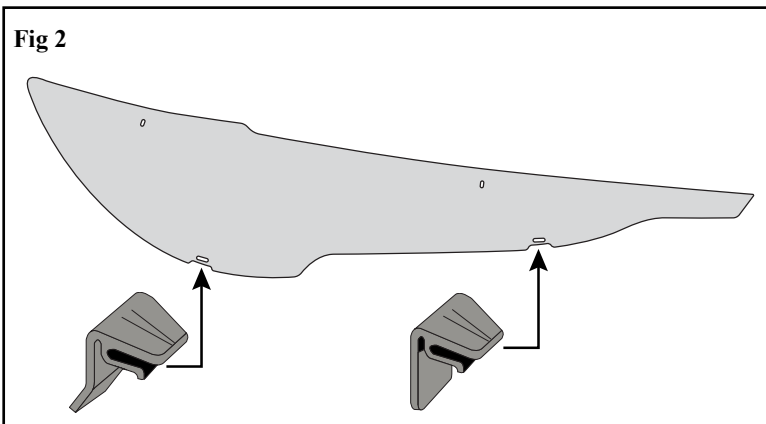
Fig 1



Read installation instructions thoroughly before commencing installation.

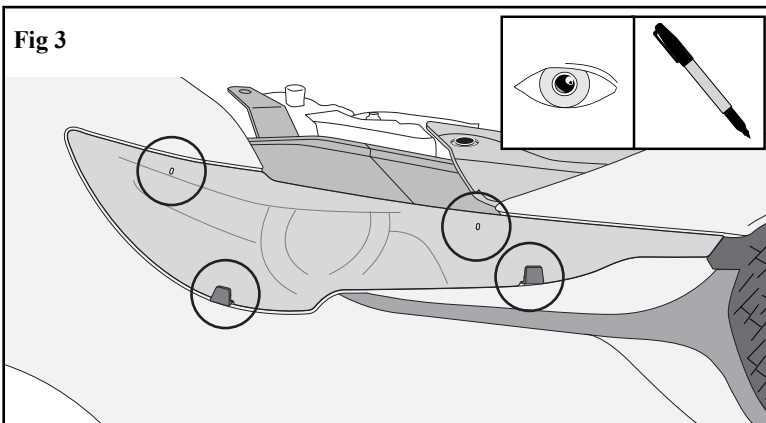
Thoroughly clean and dry the headlights and surrounding areas, on both the LHS and RHS.

Fig 2



Attach the inner plastic clip and outer plastic clip to the bottom of the Headlight Protector.

Fig 3



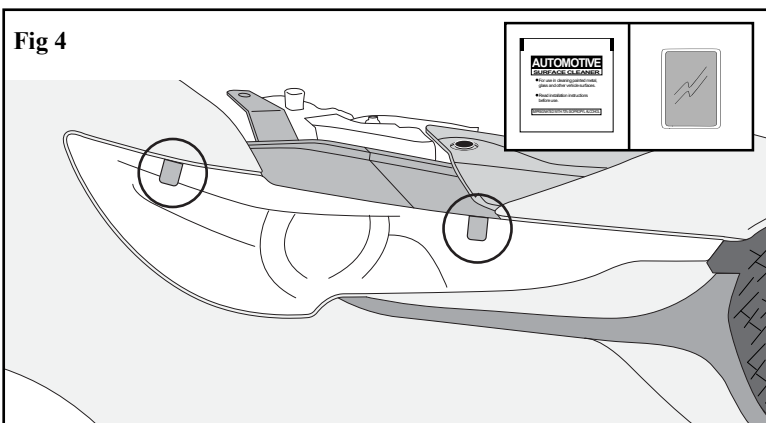
Trial fit the Headlight Protector to the headlight by first inserting the plastic clips between the bumper and the headlight.

Note the area of the headlight assembly that corresponds to the slots of the Headlight Protector.

Mark these positions on the headlight with a non-permanent marker or pencil.

Remove the Headlight Protector.

Fig 4

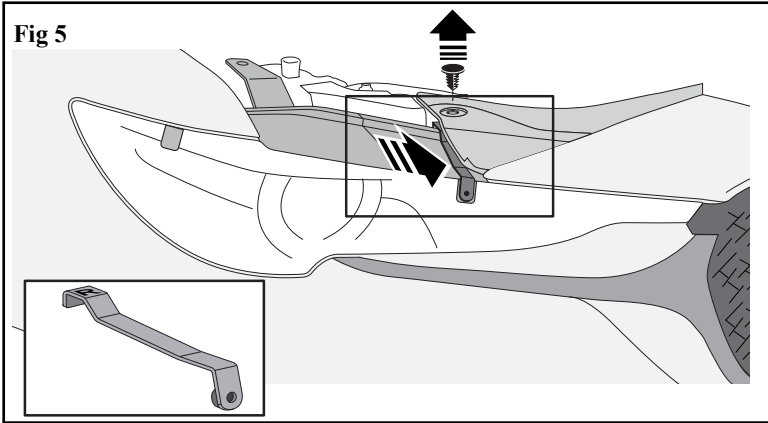


Clean the previously noted slot locations with the alcohol wipe provided. Allow to dry.

Adhere the abrasion resistant tape to the cleaned areas on the headlight.

INSTALLATION PROCEDURE

Fig 5



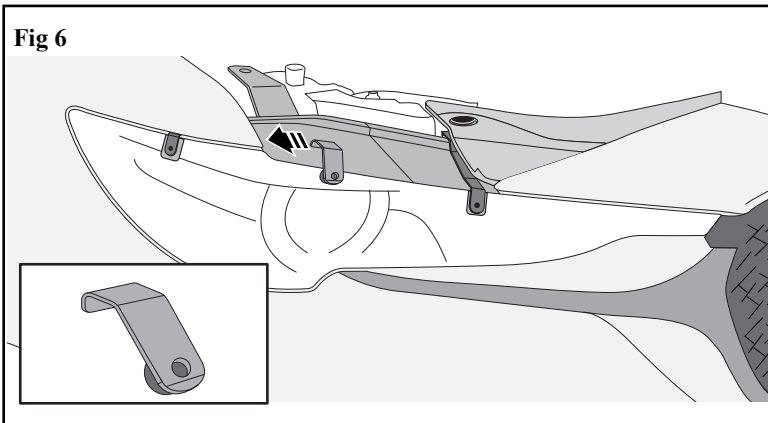
Remove and retain the scrivet holding down the fascia panel as shown.

Slide the Inner Metal Clip "R" underneath the fascia and hook it onto the back of the headlight.

Replace scrivet into the fascia panel

Ensure clip sits over the abrasion resistant tape and not contacting the headlight lens.

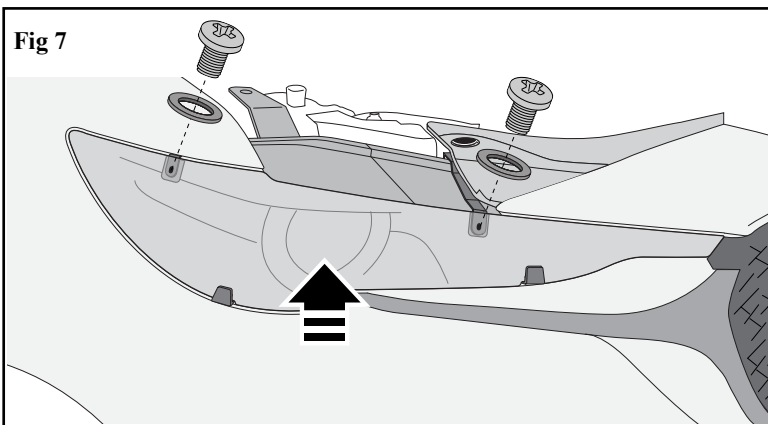
Fig 6



Slide the Outer Metal Clip through the gap between the fender and the headlight assembly onto the abrasion resistant tape.

Ensure clip sits directly over the abrasion resistant tape and does not contact the headlight lens.

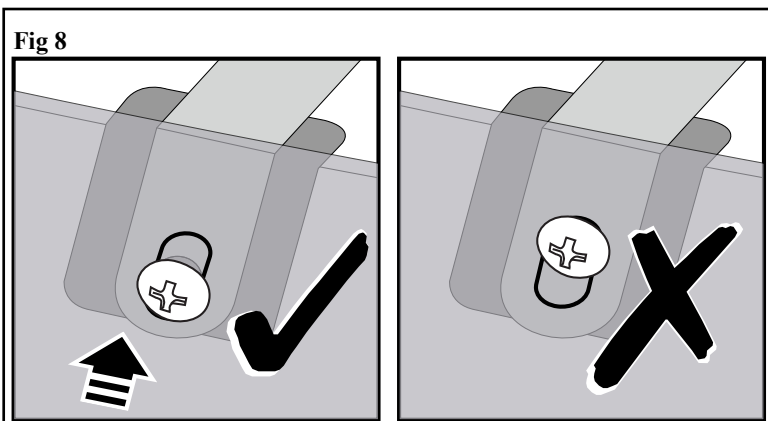
Fig 7



Refit the Headlight Protector to the headlight by first inserting the plastic clips between the bumper and the headlight.

Secure the Headlight Protector to the top metal clips with the screw and washers while applying firm upward pressure to Headlight Protector.

Fig 8



Ensure the screw is as close to the bottom of the Headlight Protector vertical slot as possible.

INSTALLATION PROCEDURE

Re-check that your workmanship has been of the highest professional standard, then clean up the work area and ensure that the vehicle or accessory is not scratched or left dirty. Remove all tools, protective covers, waste materials, grease, dirt or grime from the work area.

Care Instructions:



Clean with a mild detergent and water solution.



Do not use automatic car wash.



Do not use abrasive cleaners.