

Fitting

INSTRUCTIONS



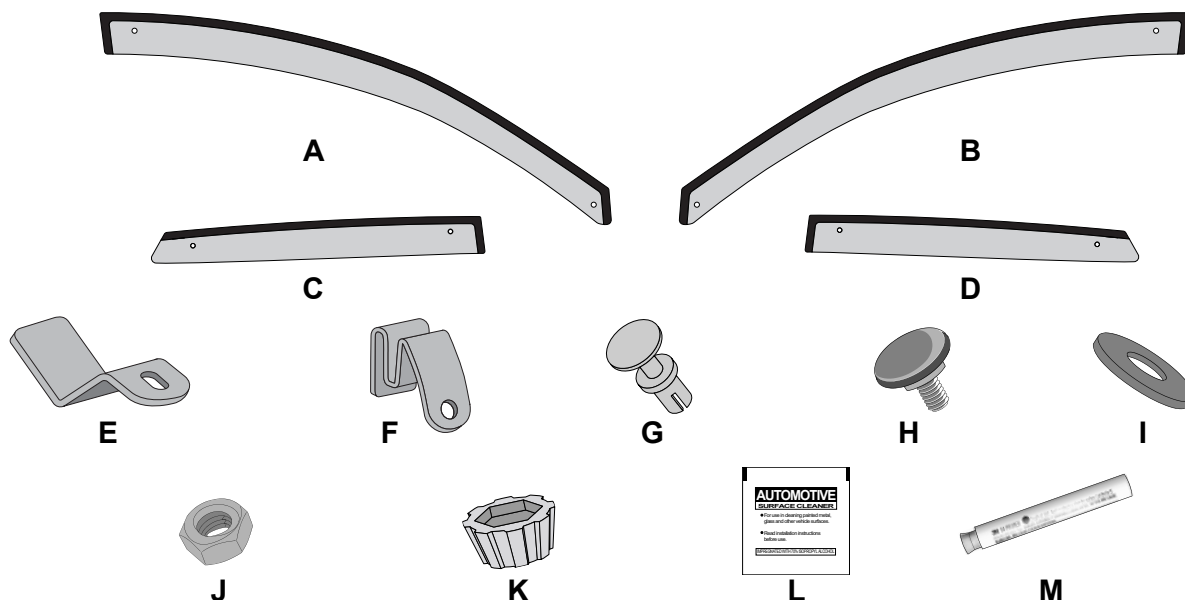
| | | |
|-------------|------------------------|-------------------------|
| PRODUCT | SLIMLINE WEATHERSHIELD | 20 MIN |
| APPLICATION | Mazda CX-5 - 2017 | |
| PART NO | SW-PPCK-MAZ-CX5-MY17 | DATE – 23 FEBRUARY 2022 |

VERY IMPORTANT

- PLEASE READ THESE INSTRUCTIONS CAREFULLY BEFORE COMMENCING WITH FITMENT.
- ENSURE EACH STEP IS CHECKED AND TICKED OFF BEFORE MOVING ON TO THE NEXT STEP.

KIT CONTENTS

| Item | Qty | Description | Item | Qty | Description |
|------|-----|---------------------------|------|-----|-------------------|
| A | 1 | Front Weathershield "RHS" | H | 2 | Screw |
| B | 1 | Front Weathershield "LHS" | I | 2 | Washer |
| C | 1 | Rear Weathershield "RHS" | J | 2 | Hex Nut |
| D | 1 | Rear Weathershield "LHS" | K | 1 | Fitment Tool |
| E | 2 | Front Metal Clip | L | 4 | Alcohol Wipe |
| F | 6 | Pillar Metal Clip | M | 2 | Adhesion Promoter |
| G | 6 | Push Rivet | | | |



REQUIRED TO FIT

1x Bucket with soapy water mix

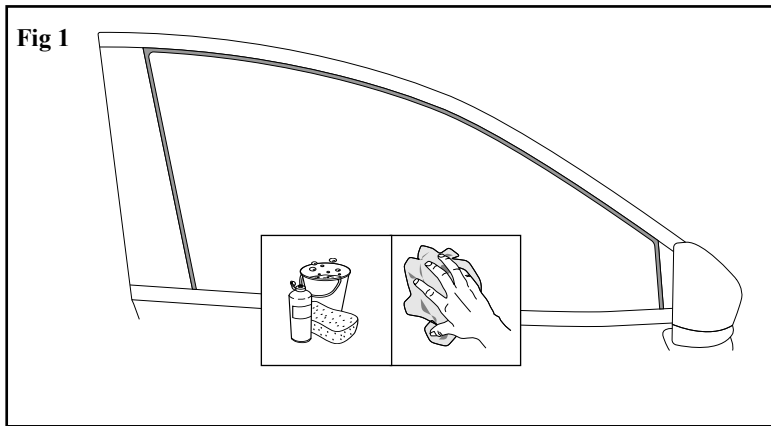
1x Pencil or non-permanent Marker

PRECAUTIONS

Ensure that you adequately cover and protect Seats, Carpets, Body parts as well as Door entry areas with non-scratch covers, before installation. Ensure that your workmanship is of the highest professional standard and that you do not scratch or damage the vehicle or accessory to be fitted.

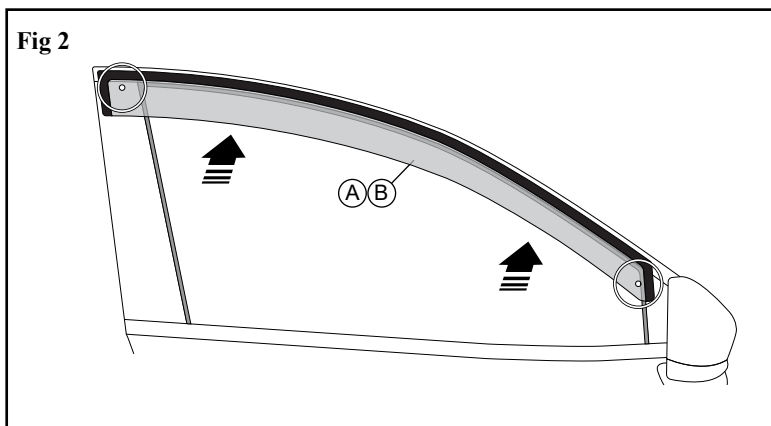
Before commencing with fitment, carefully unwrap the product and ensure that the kit is complete and that the part is free of damage.

INSTALLATION PROCEDURE

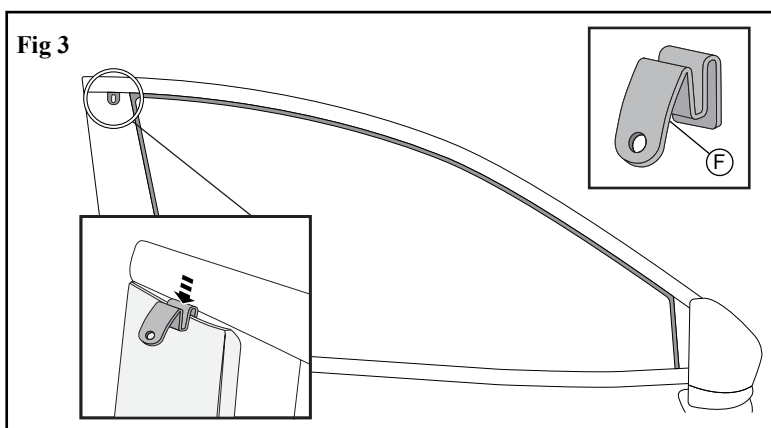


Read installation instructions thoroughly before commencing installation.

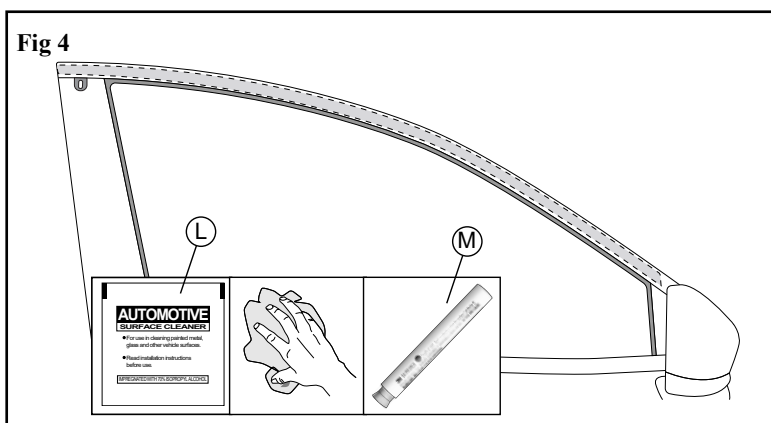
Thoroughly clean and dry the front RHS door frame.



Wind the window down and trial fit the Weathershield onto the front door frame. Align the Weathershield to the top of the door frame while locating the rear edge of the front Weathershield to the rear edge of the door frame. Note the two slots in the Weathershield, and the tape attachment areas.



At the previously noted location, install the pillar metal clip behind the plastic pillar door cover.



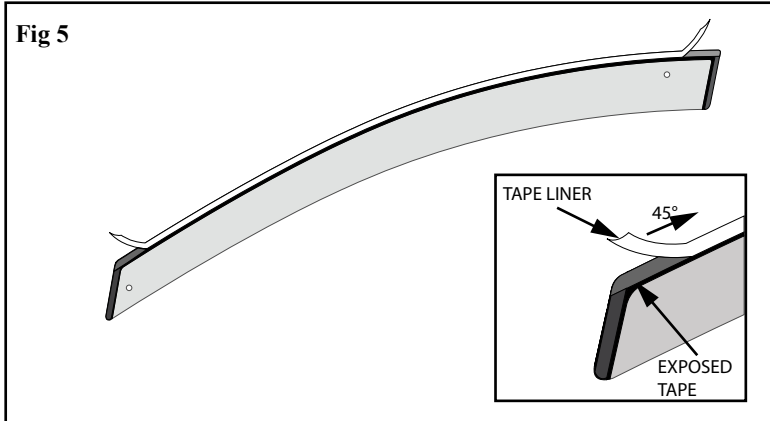
Clean the tape attachment areas on the door frame thoroughly with the alcohol wipe provided. Wipe away residue with a clean, dry cloth. Carefully read the primer instructions, then apply primer to tape attachment areas.

Important notes:

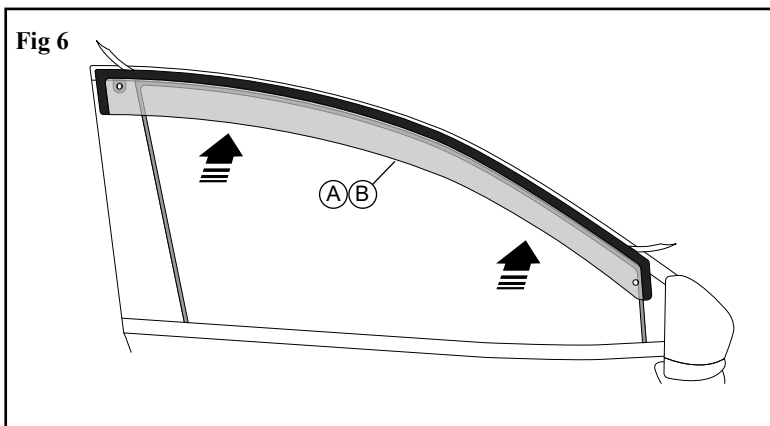
1. Allow 5 minutes drying time of the primer.
2. Keep out of contact with skin and eyes.
3. Do NOT inhale or swallow.

Note: Primer stick to be used in Step 14.

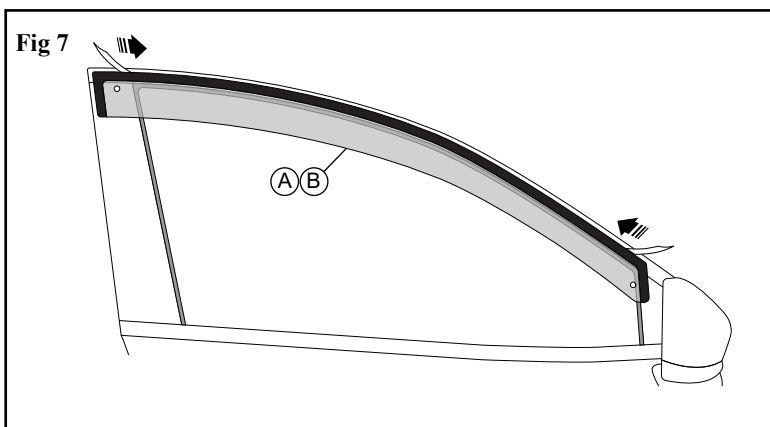
INSTALLATION PROCEDURE



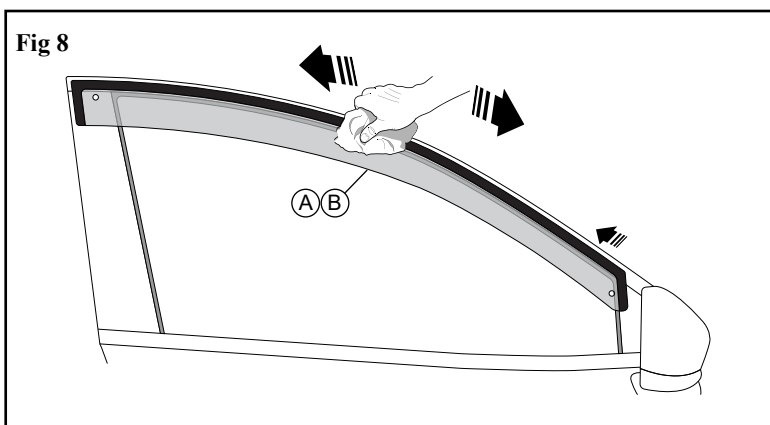
Peel back approximately 50mm (2") of the backing tape liner from each of the tape sections and fold at 45° to the outside of the front RHS Weathershield.



Position the Weathershield on the door frame. Double check the positioning of the Weathershield as per Step 2. Apply light pressure to the tape areas.

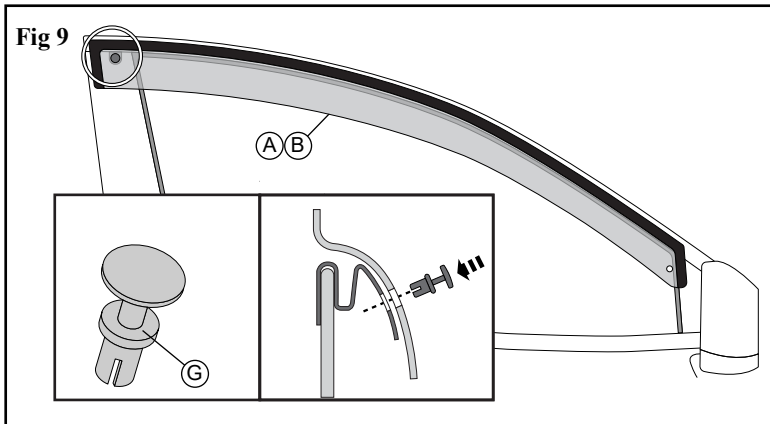


Peel the remaining tape liner by pulling on the exposed ends of liner, and apply firm pressure around the attachment areas.

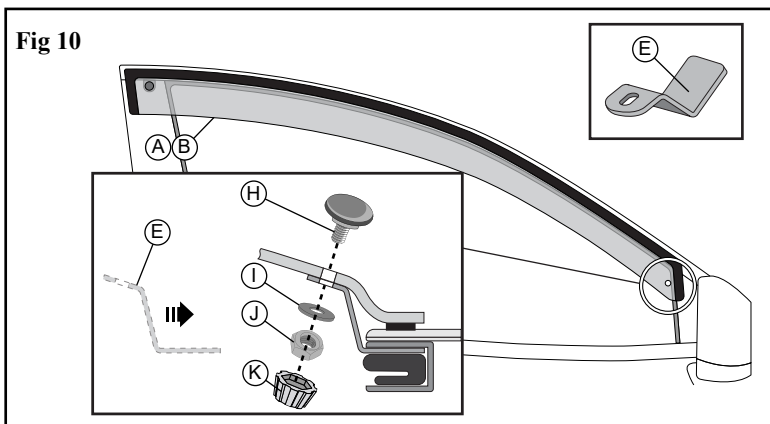


Using a clean, soft cloth, rub down firmly along the attachment areas 4 times to ensure maximum adhesion.

INSTALLATION PROCEDURE

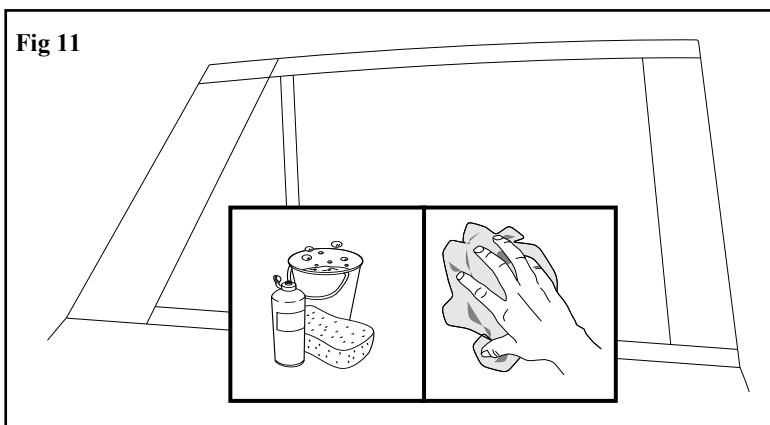


Secure the Weathershield to the metal clip by inserting the push rivets into previously noted slots in the Weathershield.

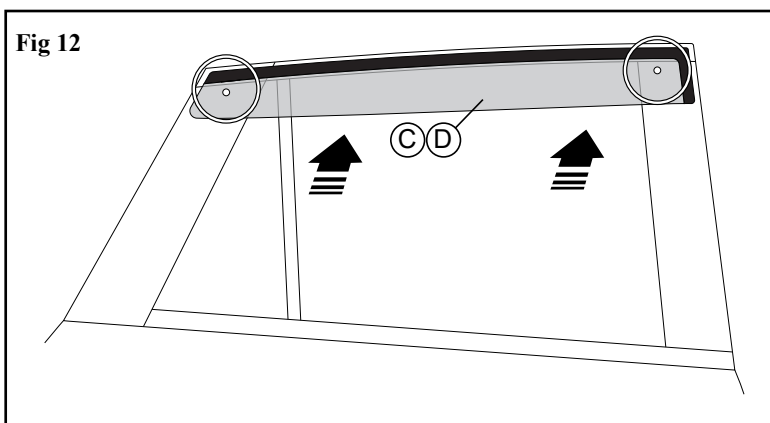


At the previously noted clip positions place the front metal clip into position between the door frame and rubber window channel.

Insert the screw through the Weathershield, metal clip and washer, place the hex nut into the fitment tool then fasten to the plastic screw fixing. Use only the supplied fitment tool to tighten the hex nuts.

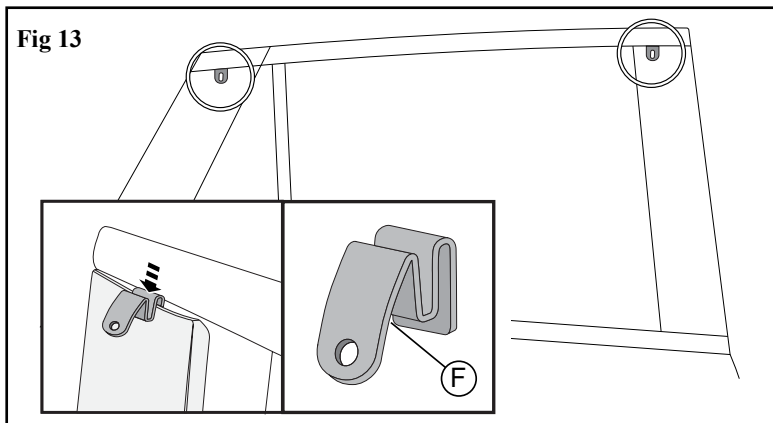


Clean and dry the rear RHS door frame.

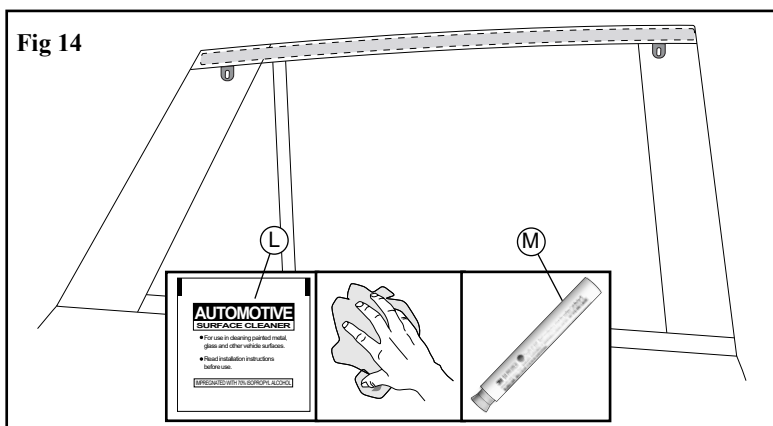


Wind the window down and trial fit the Weathershield onto the front door frame. Align the Weathershield to the top of the door frame while locating the front edge of the front Weathershield to the front edge of the door frame. Note the two slots in the Weathershield, and the tape attachment areas.

INSTALLATION PROCEDURE



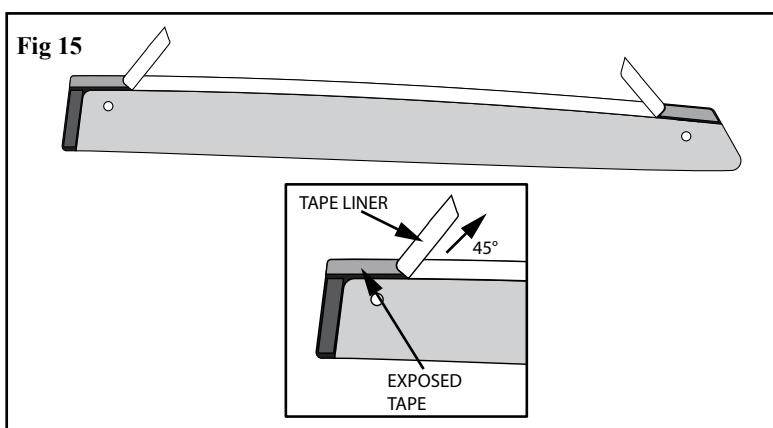
At the previously noted location, install the pillar metal clips behind the plastic pillar door cover.



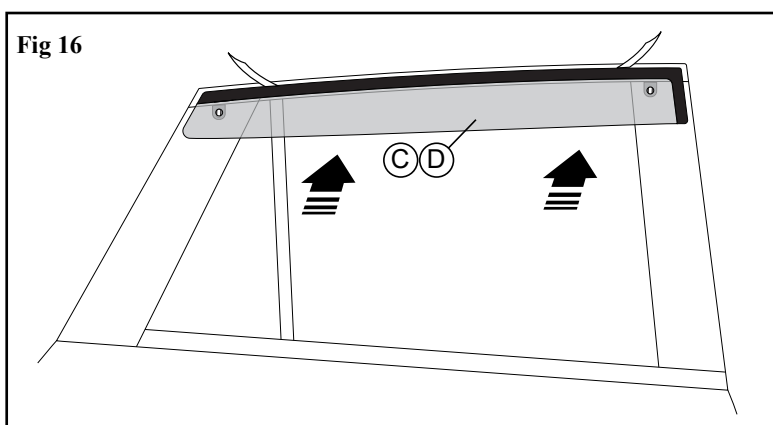
Clean the tape attachment areas on the door frame thoroughly with the alcohol wipe provided. Wipe away residue with a clean, dry cloth. Carefully read the primer instructions, then apply primer to tape attachment areas.

Important notes:

1. Allow 5 minutes drying time of the primer.
2. Keep out of contact with skin and eyes.
3. Do NOT inhale or swallow.

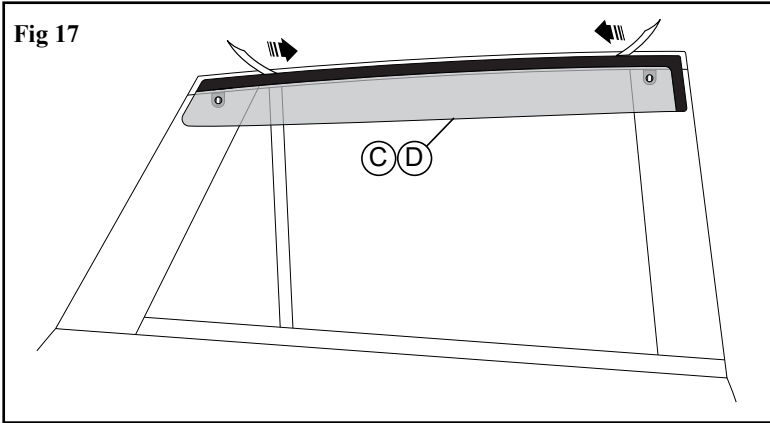


Peel back approximately 50mm (2") of the backing tape liner from each of the tape sections and fold at 45° to the outside of the rear RHS Weathershield.



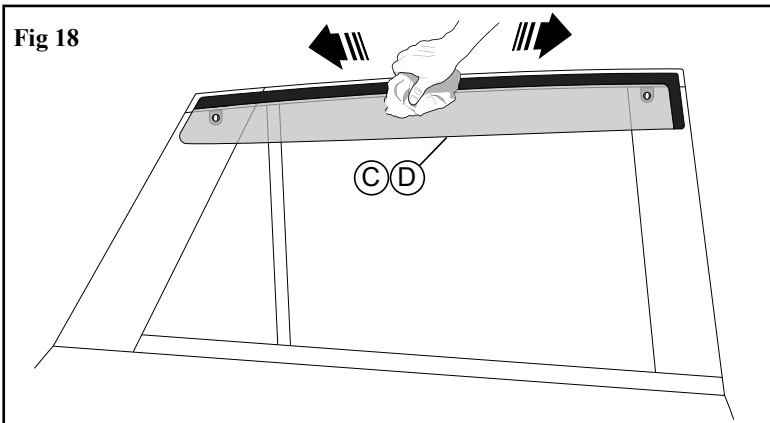
Position the Weathershield on the door frame. Double check the positioning of the Weathershield as per step 12, then apply light pressure to the exposed tape areas.

Fig 17



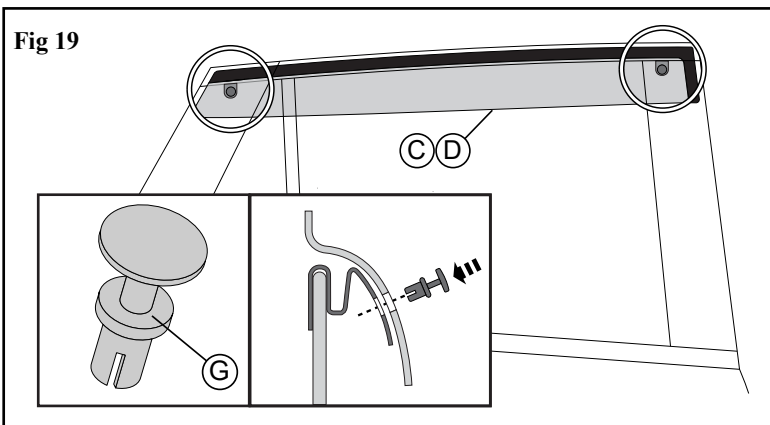
Peel the remaining tape liner by pulling on the exposed ends of liner, and apply firm pressure around the attachment areas.

Fig 18



Using a clean, soft cloth, rub down firmly along the attachment areas 4 times to ensure maximum adhesion.

Fig 19



Secure the Weathershield to the metal clip by inserting the push rivets into previously noted slots in the Weathershield.

REPEAT STEPS 1-19 FOR LHS WEATHERSHIELDS.

Re-check that your workmanship has been of the highest professional standard, then clean up the work area and ensure that the vehicle or accessory is not scratched or left dirty. Remove all tools, protective covers, waste materials, grease, dirt or grime from the work area.

Care Instructions:



Clean with a mild detergent and water solution.



Do not use automatic car wash.



Do not use abrasive cleaners.