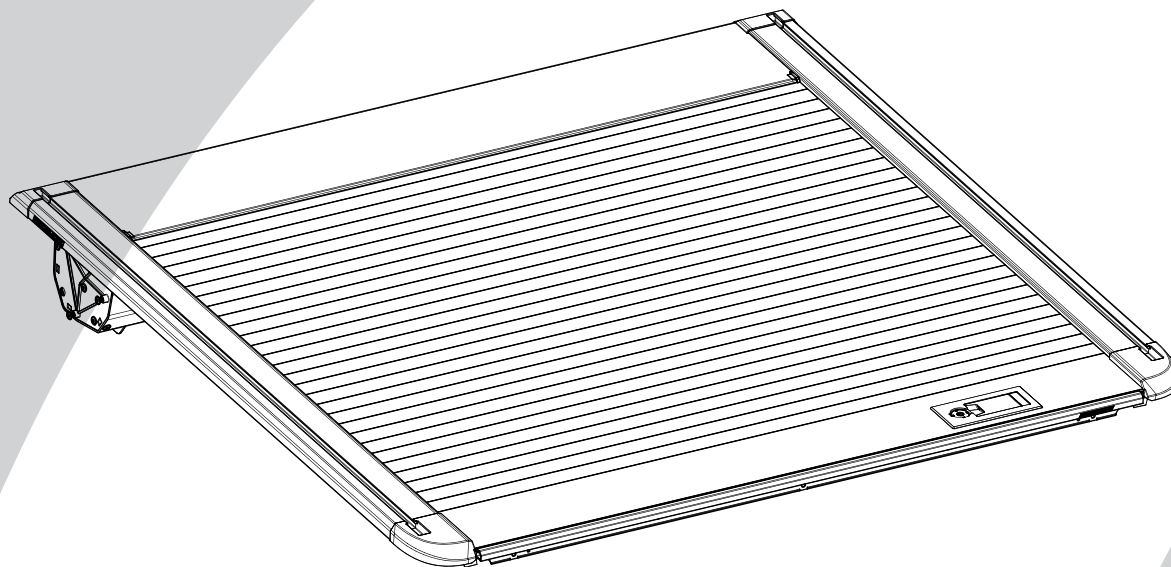


INSTALLATION INSTRUCTIONS

EGR ROLLTRAC

MANUAL

Vehicle Model: MAZDA BT50 / ISUZU D-MAX
Year of manufacture: 2020 onwards



Installation time: 120 minutes (without tubliner)

Caution

- Do not attach EGR RollTrac in a location or by a method not specified.
- Do not use this product for any vehicle make or model, other than those specified in this document.
- Do not remove the plaque or label from this product.
- Do not modify the structure of the EGR RollTrac in any way.

General Notes

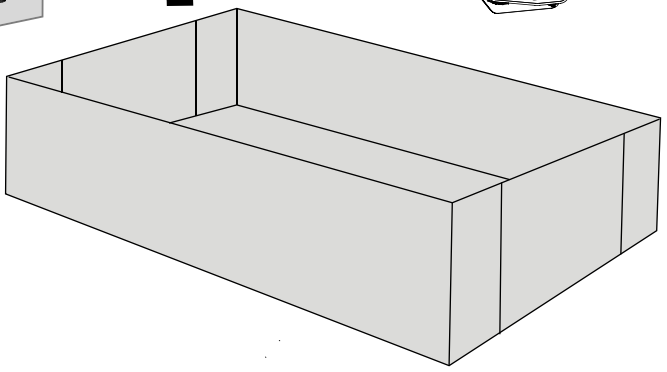
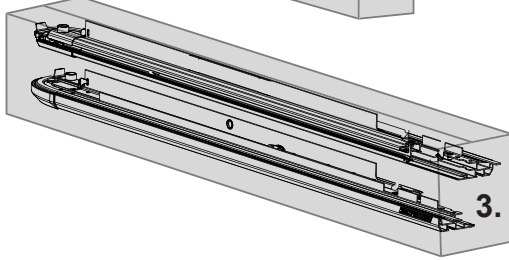
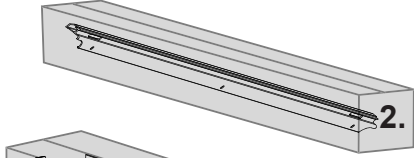
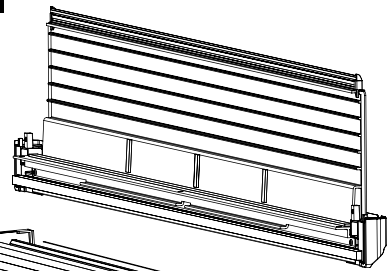
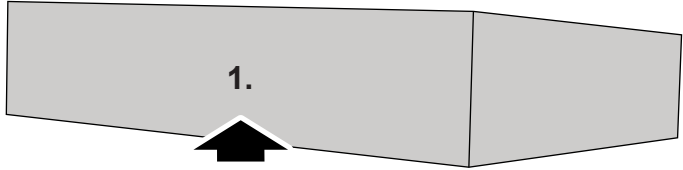
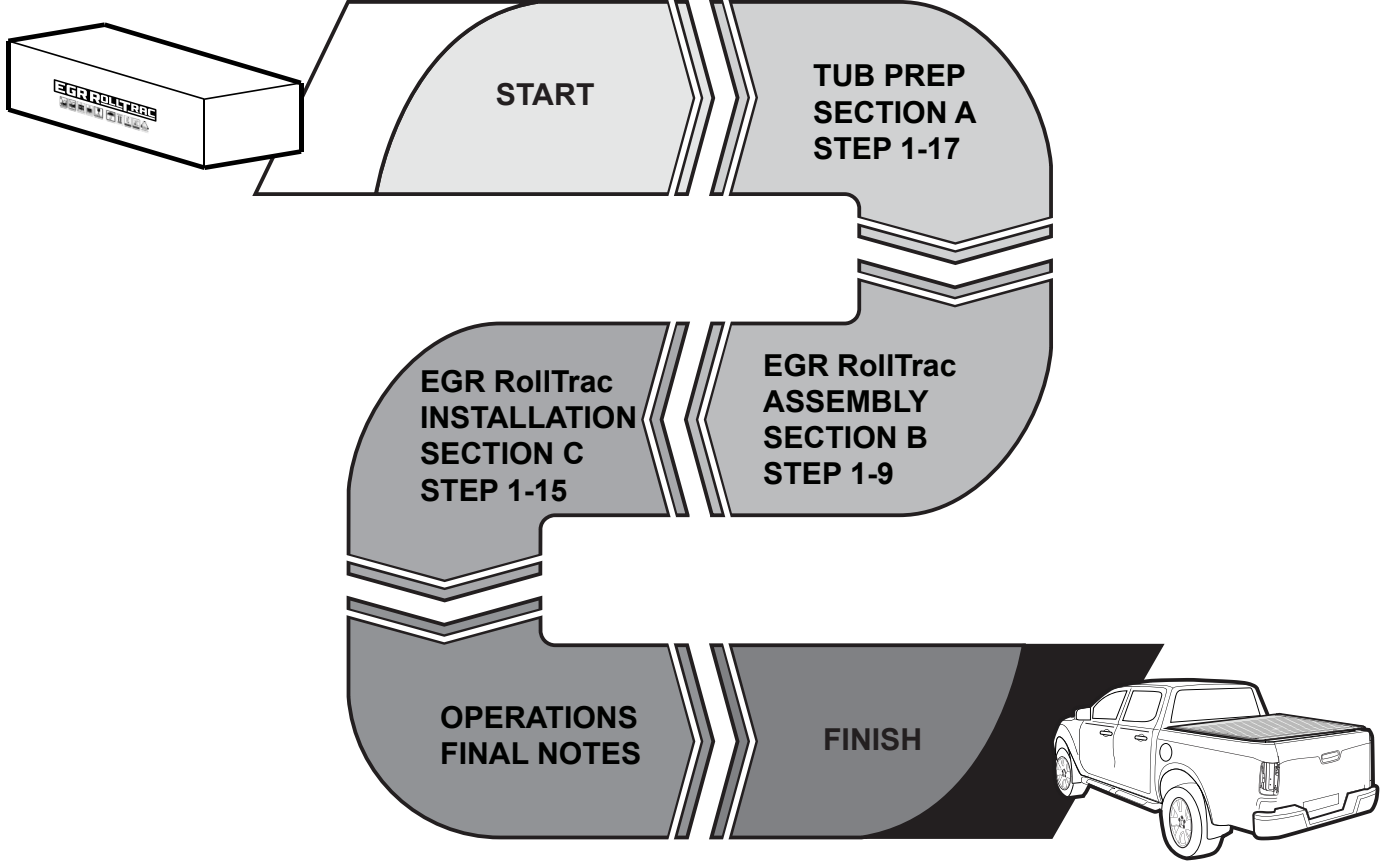
- Read through the fitting instructions before installation of EGR RollTrac.
- Always install the accessory following the fitting instructions. Failure to do so may cause damage to the vehicle or the accessory.
- Ensure all recyclable discarded vehicle accessory components and packaging are recycled following local recycling regulations.
- It is always recommended that this accessory is fitted by a qualified Technician.
- Safely store and protect any removed vehicle components.
- Ensure all bare metal surfaces are protected using Automotive Bare Metal Primer and touch-up paint.
- Remove all metal swarf and dust from all vehicle surfaces if surface is used for accessory installation.



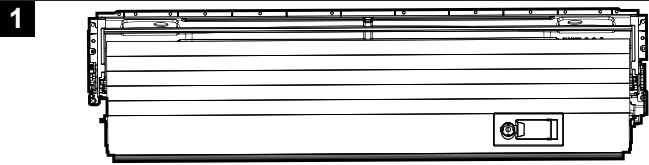
Safety Notes

- Check that all work practices comply with safety standards.
- Please wear appropriate clothing and use safety equipment.





KIT CONTENTS - COMPONENT NUMBER AND QUANTITY



1 CANISTER ASM. QTY: 1



2 FRONT COVER QTY: 1



3 RHS RAIL QTY: 1



4 LHS RAIL QTY: 1



5 TAILGATE RAIL QTY: 1

EGR ROLLTRAC FITTING KIT IN BOX

6 MISC4844-RH
INSTALLATION JIG
QTY: 1



7 MISC4844-LH
INSTALLATION JIG
QTY: 1



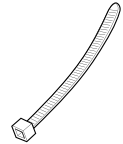
8 INJM0083
ENDCAP RH
QTY: 1



9 INJM0082
ENDCAP LH
QTY: 1



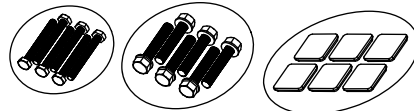
10 CONS70097
CABLE TIE
QTY: 8



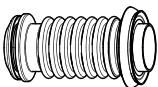
11 SCRW0973
SCREW M6X16MM
QTY: 9



12 KIT036421
CLAMPS SET
QTY: 1



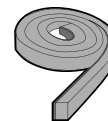
13 MISC5222
FRONT DRAINAGE TUBE
QTY: 2



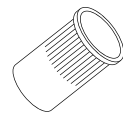
14 MISC4807 & MISC4895
REAR DRAINAGE TUBE
QTY: 2



15 TAPE0751
TAPE 3X12X1500MM
QTY: 3

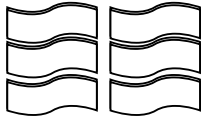


16 M6 NUTSERT
QTY: 3



EGR ROLLTRAC FITTING KIT ADDITIONAL ITEMS

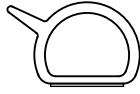
18 TAPE0698
TAPE 150X25MM
QTY: 6



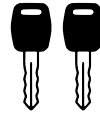
19 RUBBER
EXTRUSION
QTY: 2



20 EXTR0052



KEYS x2



INSTALLATION
INSTRUCTIONS

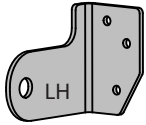


OWNERS
MANUAL

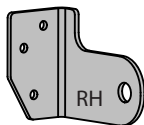


TUB REINFORCEMENT KIT

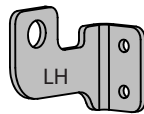
21 CLIP3952PC-LH
LOWER LH BRACKET
QTY: 1



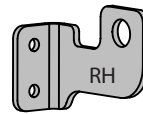
22 CLIP3952PC-RH
LOWER RH BRACKET
QTY: 1



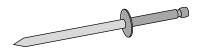
23 CLIP3951PC-LH
UPPER LH BRACKET
QTY: 1



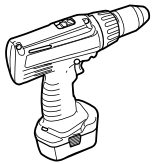
24 CLIP3951PC-RH
UPPER RH BRACKET
QTY: 1



25 RIVET
FAST0634
QTY: 10



TOOLS REQUIRED - NOT SUPPLIED IN KIT



Drill



Holesaw
Ø29mm
Ø38mm

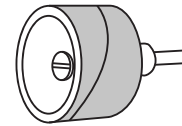


Centre Punch & Hammer

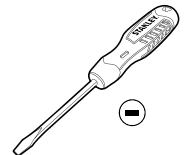


Drill Stop

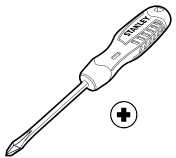
Drill Bits
Ø2.0mm
Ø5.5mm
Ø9.0mm



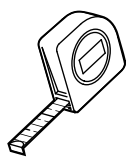
Bobbin Sander Ø60mm



Flat Screwdriver



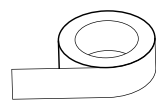
Phillips Screwdriver



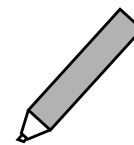
Tape Measure



Scissors



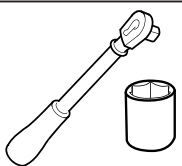
Masking Tape
Fiberglass Tape
Black Cloth Tape



Non-permanent pen



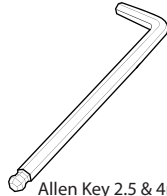
Spanners 8,10,13mm



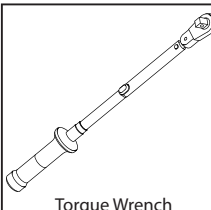
Ratchet & Sockets
7,10,13mm



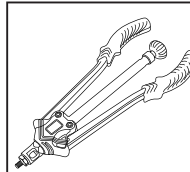
Allen Key 4mm



Allen Key 2.5 & 4mm



Torque Wrench



Nutsert Tool



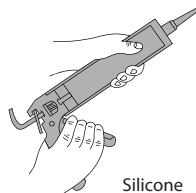
Soapy Water



50/50
Isopropyl Alcohol/Water



Rust Inhibitor



Silicone



Trim Removal Tool

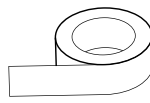


Side Cutters



Step Drill Ø9mm

Cutting device
needed to trim
tubliner



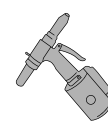
Anti-abrasion tape to seal
holes & slots



Silicone Spray



6mm File



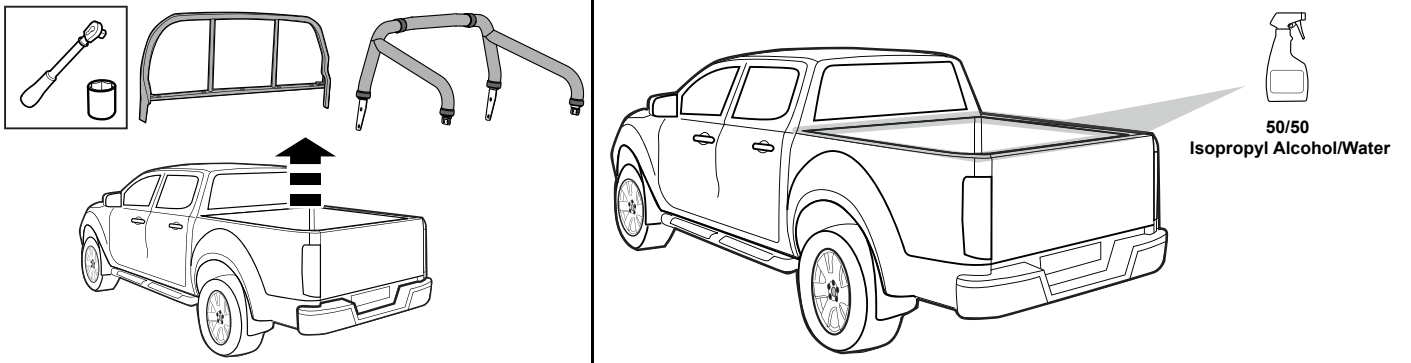
Rivet Gun

GLOSSARY:

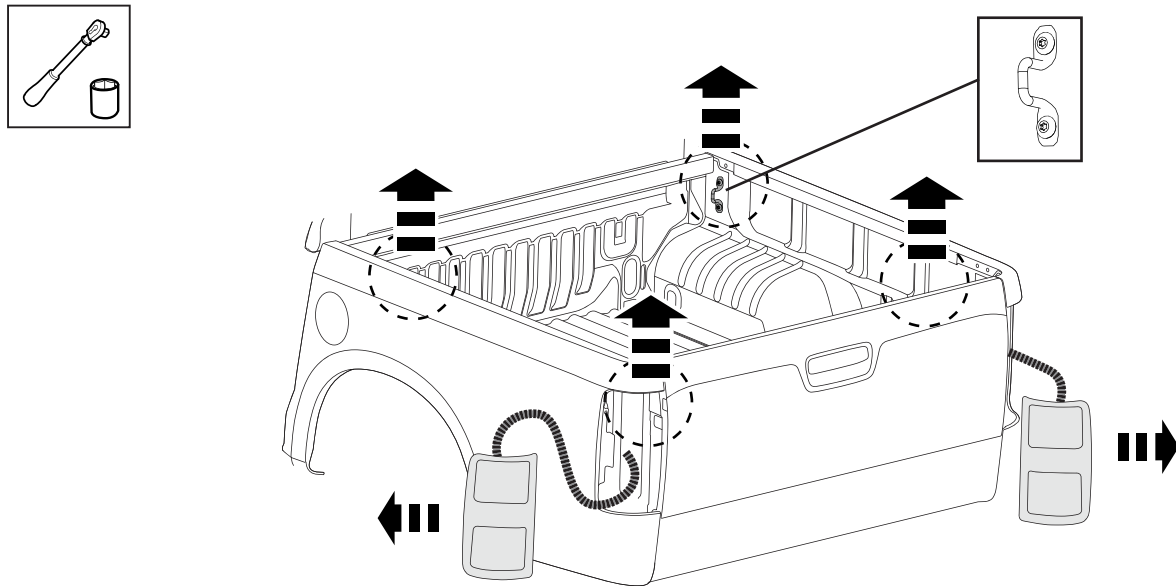
- 1** number inside a square indicate part number
- 1** number inside circle indicate the sequence within a step
- 1** number inside the hexagon indicate torque instruction

SECTION A

TUB PREPARATION

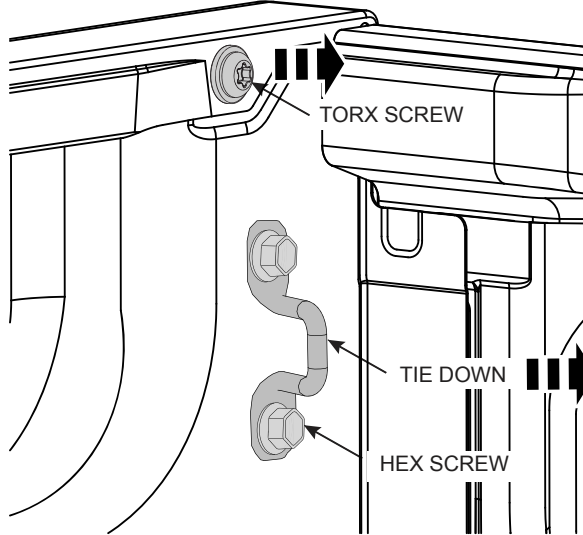
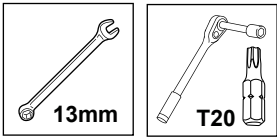


1 Carefully remove any accessories (Sports Bars, Cabin Guards, etc.) attached to the tub of the vehicle. Thoroughly wash the vehicle and tub and ensure that all dirt and grease is removed. Allow to dry. Clean the top surfaces of the tub and tailgate with a mixture of Isopropyl Alcohol and Water (50/50) and allow to dry.

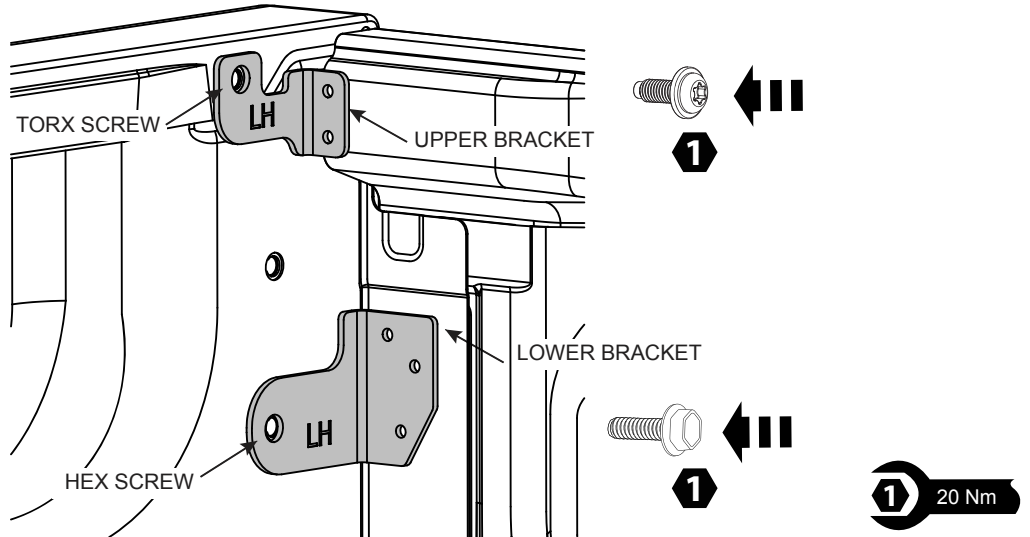
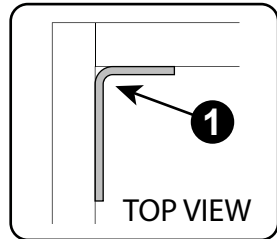
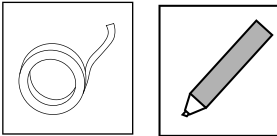
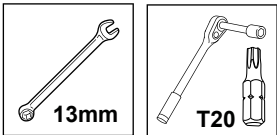


2 Carefully remove both Rear Tail Lamps with the appropriate tools and store in safe place. Retain all hardware for re-installation. Remove front and rear tie down hooks.

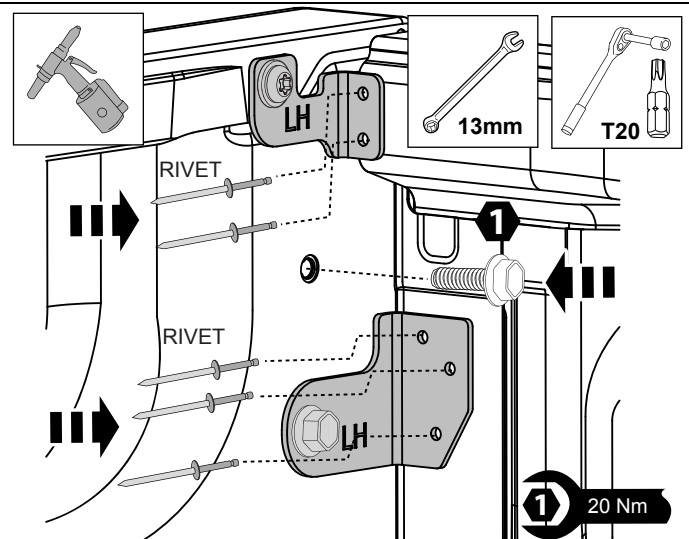
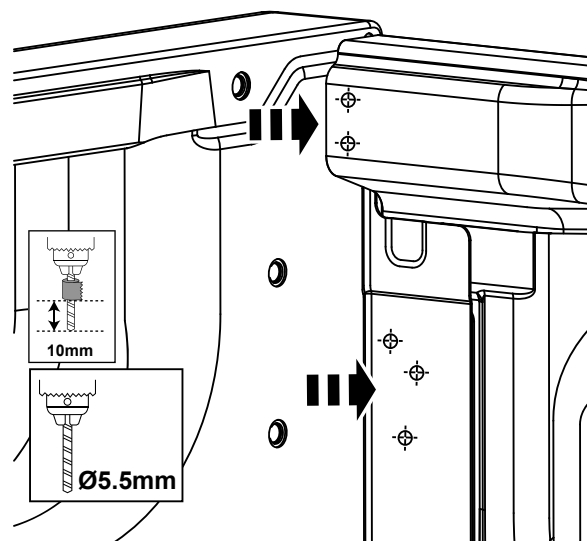
TUB REINFORCEMENT KIT



- 3** Remove the Torx screw from the tub front side rail (LHS shown). Remove the two hex screws holding the tie down hook and retain the Torx screw and both hex screw. Repeat for the RHS.



- 4** Cover the tub area under the brackets for marking purpose with masking tape and place the reinforcement plates in the LHS tub front corner as shown. Temporarily fix the brackets to the tub using the previously removed screws as shown. Ensure bracket is flush with tub (1). Mark the 5 holes centers using the brackets as a guide. Remove brackets. Repeat for the RHS.
 Note: Brackets must be mounted directly to the tub if a tubliner is fitted.

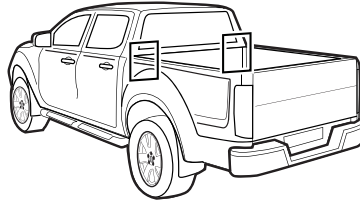
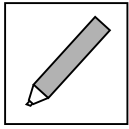
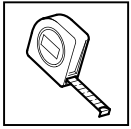


- 5** Drill the 5 hole location with 5.5mm drill bit set to 10mm depth. Apply rust inhibitor to the holes. Fit brackets using bolts and rivets as shown. Repeat for the RHS. Refit third bolt as shown.

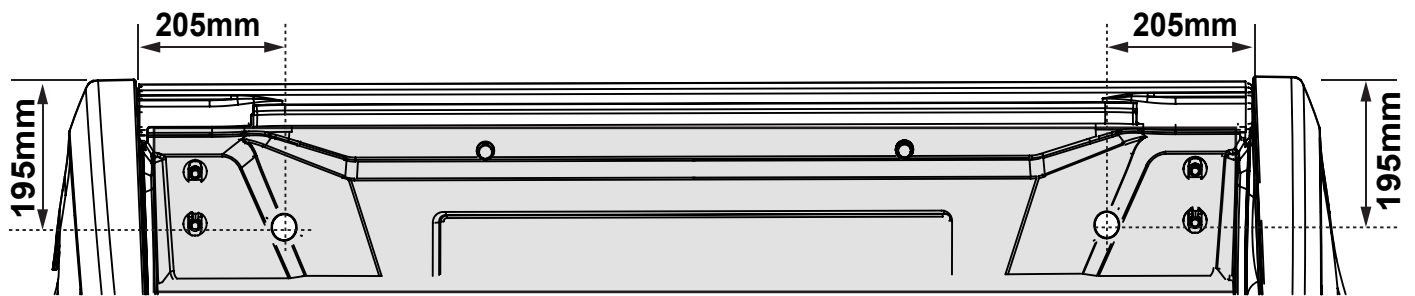


Tub liner Trim Note:

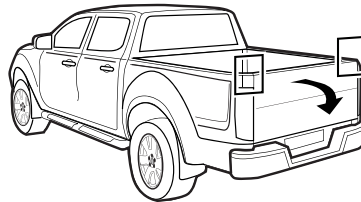
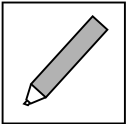
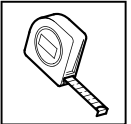
Due to variations in tubliners it is strongly recommended that Installers mark up and pre check part fitment in assy and adjust trim lines prior to making final cuts. Mazda will not be held responsible for incorrect or inaccurate liner trimming.



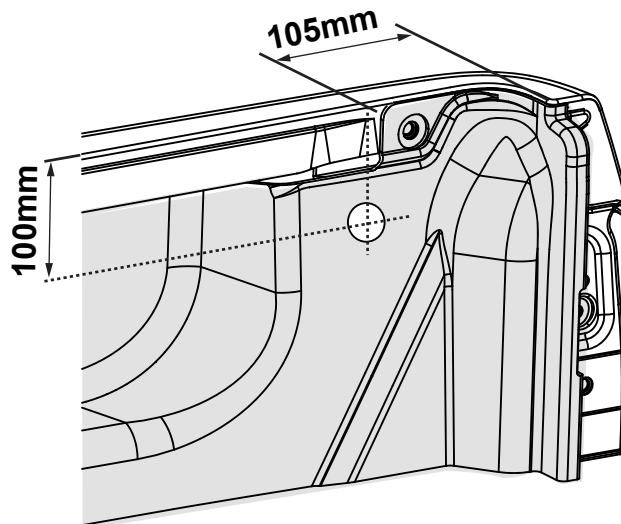
FRONT OF TUB WITH TUBLINER



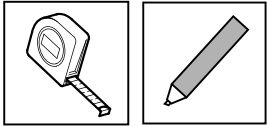
- 6** Measure and markup the positions for the Front Drain Tubes on both sides. Centre punch the locations and drill through the tub and tubliner (if fitted) with 5.5mm drill.



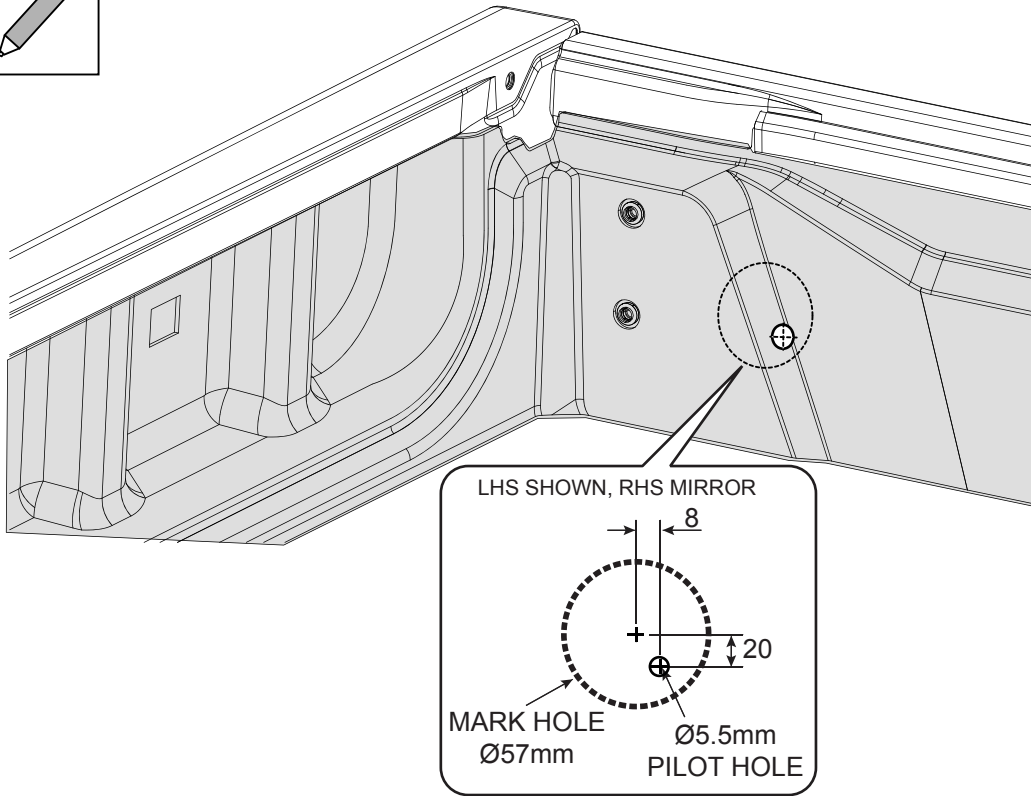
REAR OF TUB RHS WITH TUBLINER



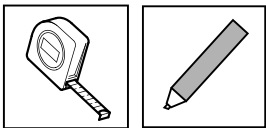
- 7** Fully open the tailgate and at the rear of the tub on both sides measure and markup the positions for the Rear Drain Tubes. Centre punch the locations and drill through the tub and tubliner (if fitted) with 5.5mm drill.



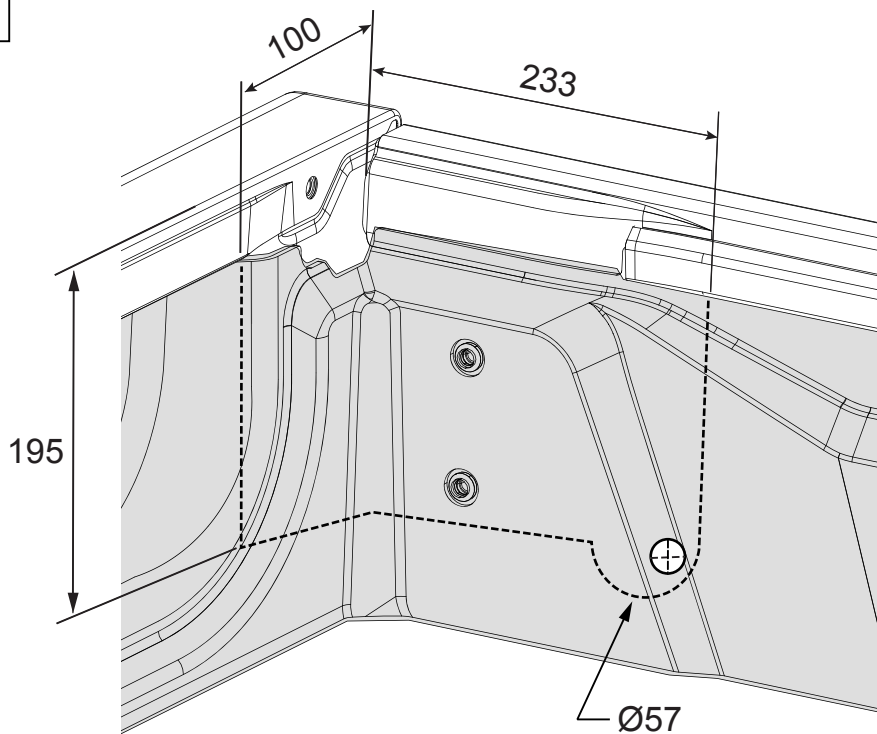
FRONT LHS OF TUB WITH TUBLINER



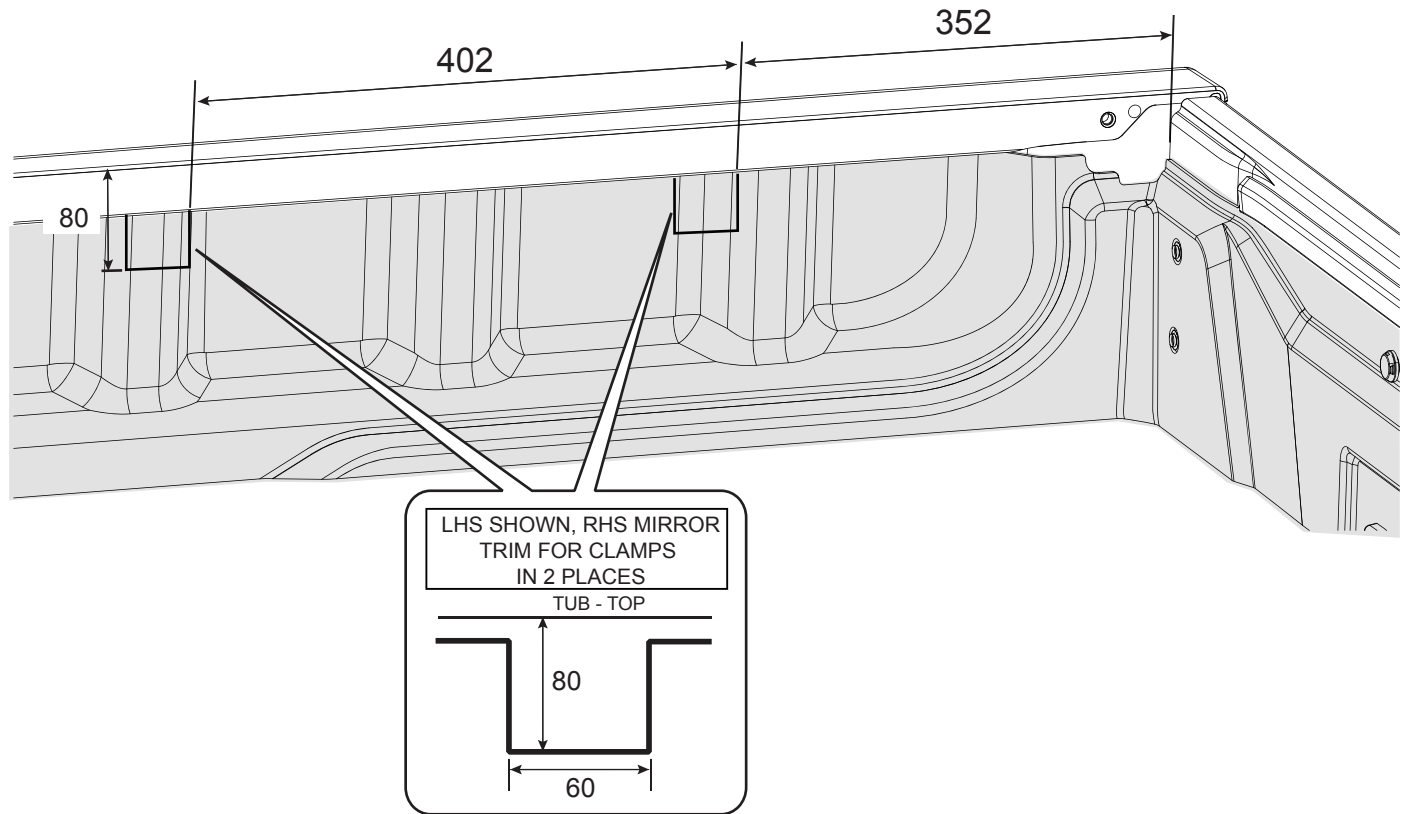
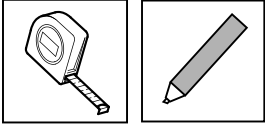
- 8** Mark the Ø57mm circle on the front of the tubliner (if fitted) using the measurements from the previously drilled pilot hole. Repeat for the RHS. Follow the markup in the next step.



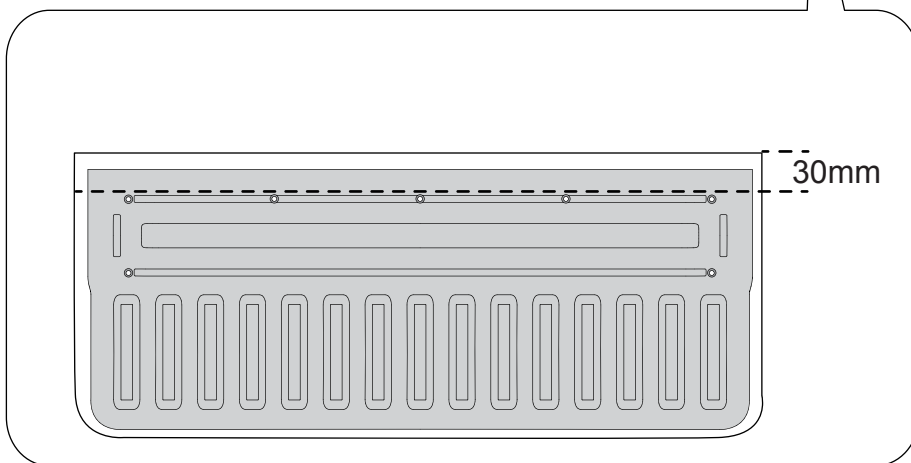
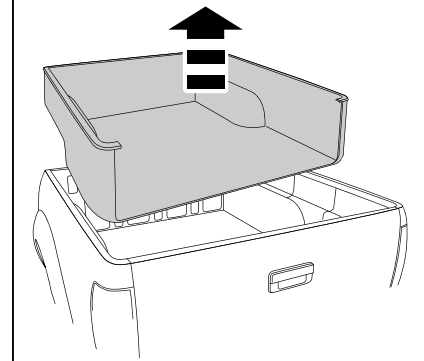
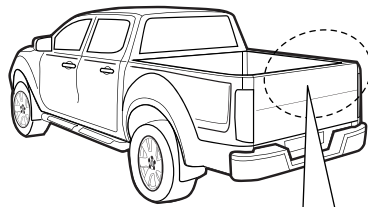
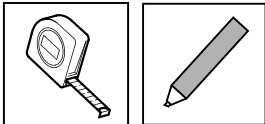
FRONT LHS OF TUB WITH TUBLINER



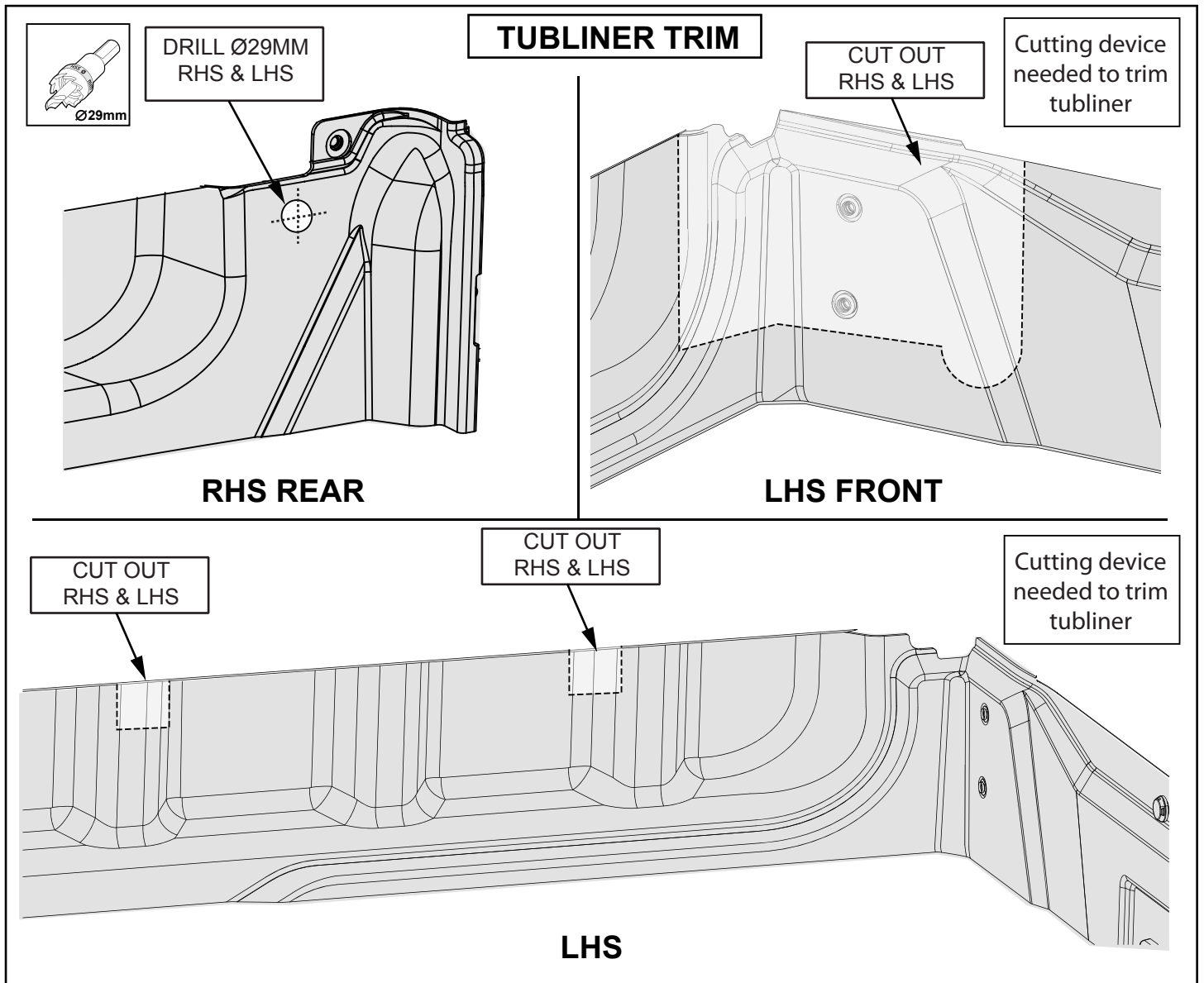
- 9** Mark the tubliner as shown above. Repeat for the RHS.



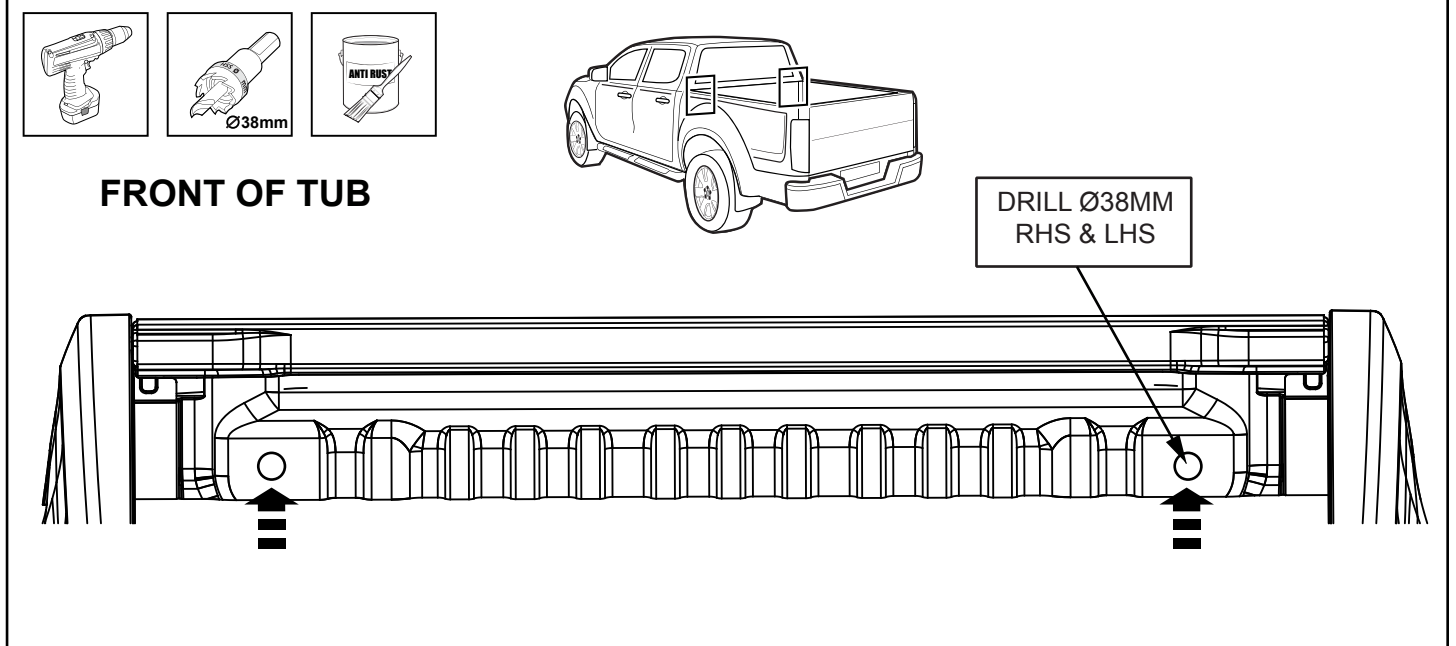
10 Mark the two locations on each side of the tubliner as shown above.



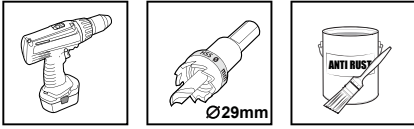
11 If tailgate liner is fitted, mark line as indicated the top of tailgate. Remove and trim along the line using air saw. Remove tubliner.



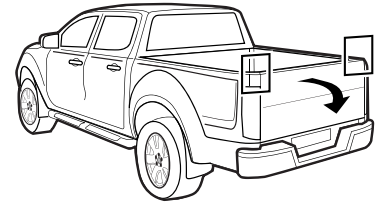
12 Drill holes and trim the tubliner as shown above using markings from previous steps. Clean sharp edges.



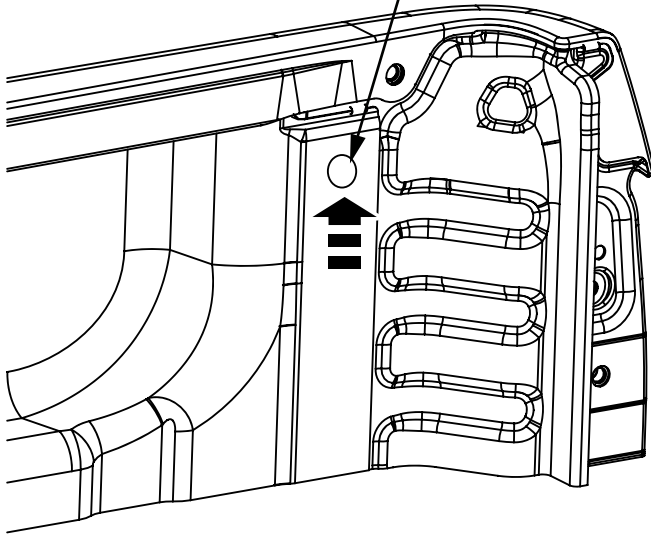
13 Drill out the pilot holes with 38mm hole saw. Clean all burrs and coat the exposed metal with a suitable rust preventative (not supplied).



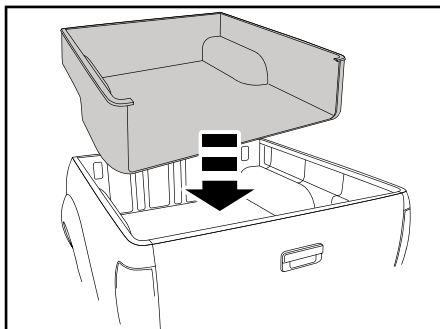
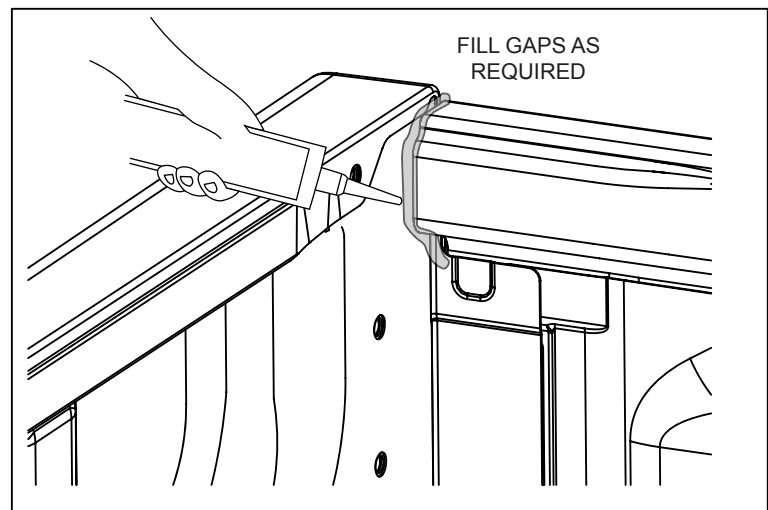
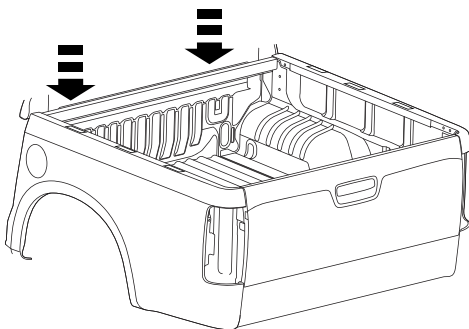
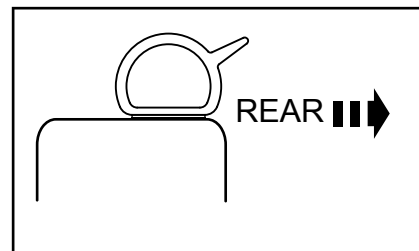
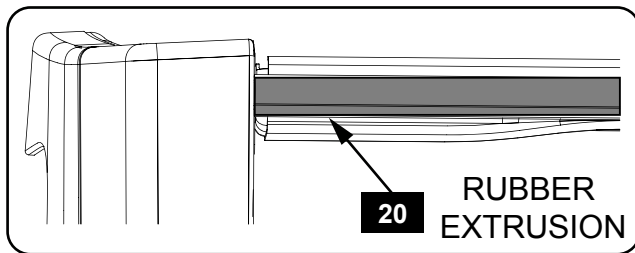
DRILL Ø29MM
RHS & LHS



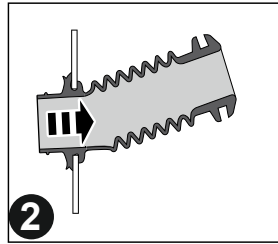
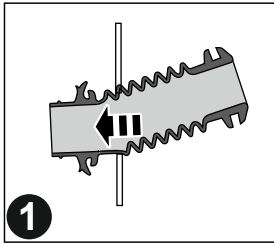
REAR OF TUB



- 14** Fully open the tailgate and drill out the pilot holes with 29mm hole saw. Clean all burrs and coat the exposed metal with a suitable rust preventative (not supplied).

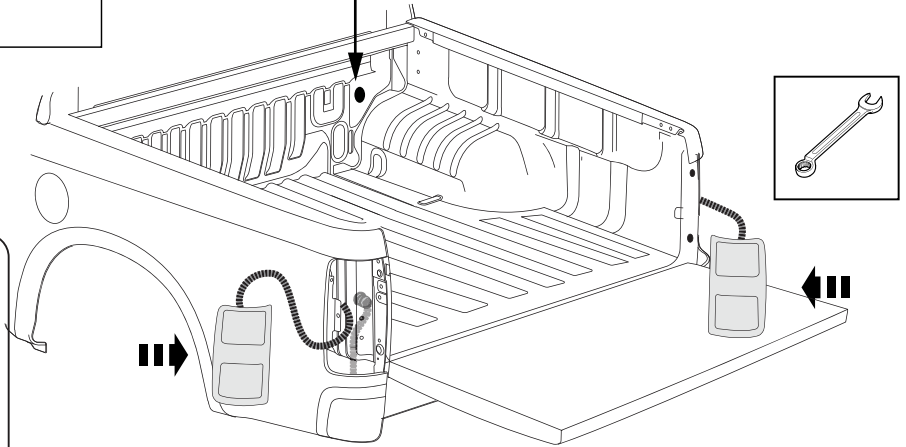
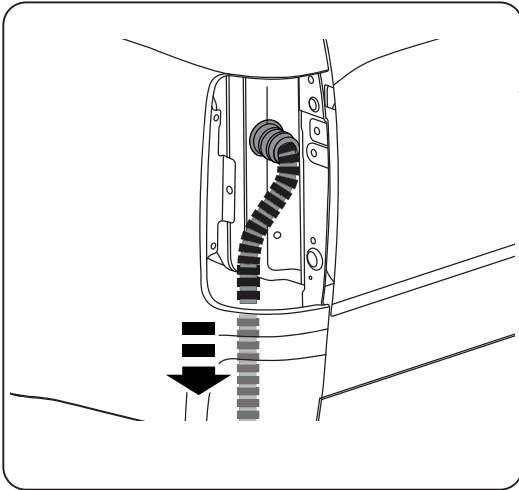
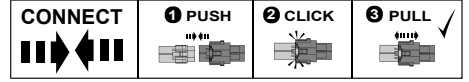


- 15** Clean top of the front tub rail and apply primer. Allow to dry. Apply rubber extrusion (20) to the top of tub rail as shown with the flap facing rearwards (see section view). To prevent water ingress, apply a bead of silicon (non-acetic) to gaps such as between the front rail and the side rail as shown. Holes in the tub from any removed accessories should be covered using tape or silicone. NOTE: Ensure the Silicone bead transitions smoothly between front and side rail and underneath the rubber extrusion. **Refit the tubliner.**



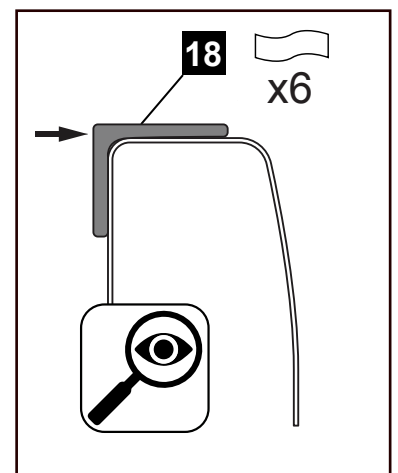
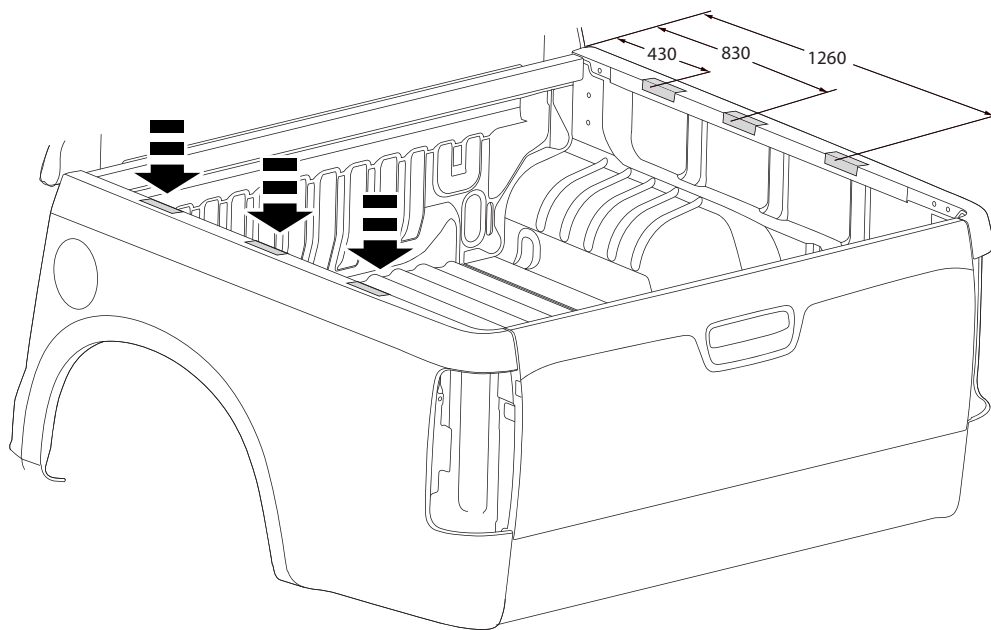
INSTALL FRONT DRAIN TUBES TO TUB

Pull the connectors
not the cable



16 Re-connect the rear tail lamps with the previously removed hardware. Fit front drain tubes (13) to the tub. Install the rear drain tubes and water conduit (14) into the gap in the LHS and RHS tail lamp recess.

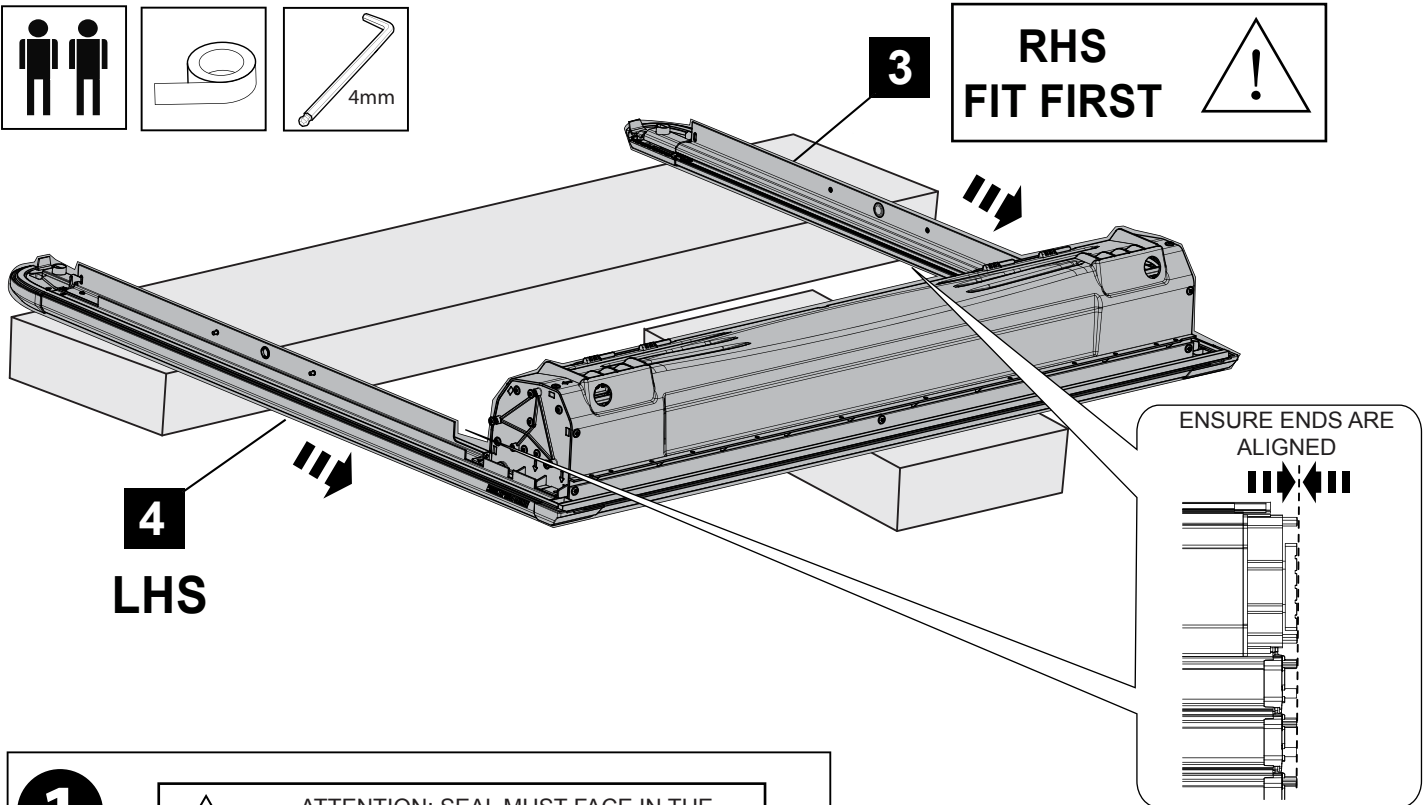
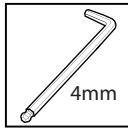
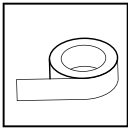
SECTION VIEW OF THE TAPE ON TUB



17 Clean top of the tub. Measurements taken from front of the tub to the centre of each tape, as per the diagram. Adhere 6 Abrasive Protection Strips (18) to the top of the tub at clamp locations. Position the tape so that it is aligned with the inside wall of the tub as shown.



DURING ASSEMBLY PROCEDURE SUPPORT AT CENTRE OF CANISTER ONLY, PLACE ON TOP AND BASE CARTON (OR SIMILAR), COVER WITH FOAM BLANKET. TO AVOID SCRATCHING POWDERCOATED SURFACES.

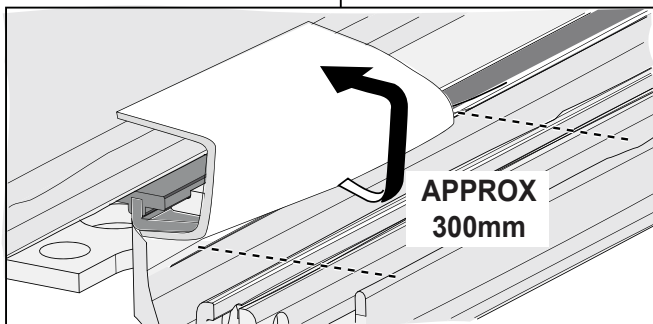
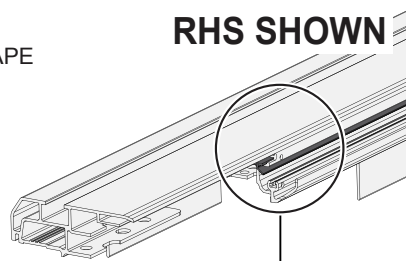
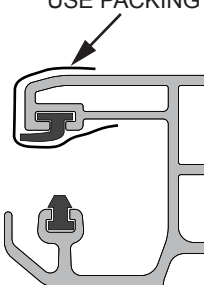


1

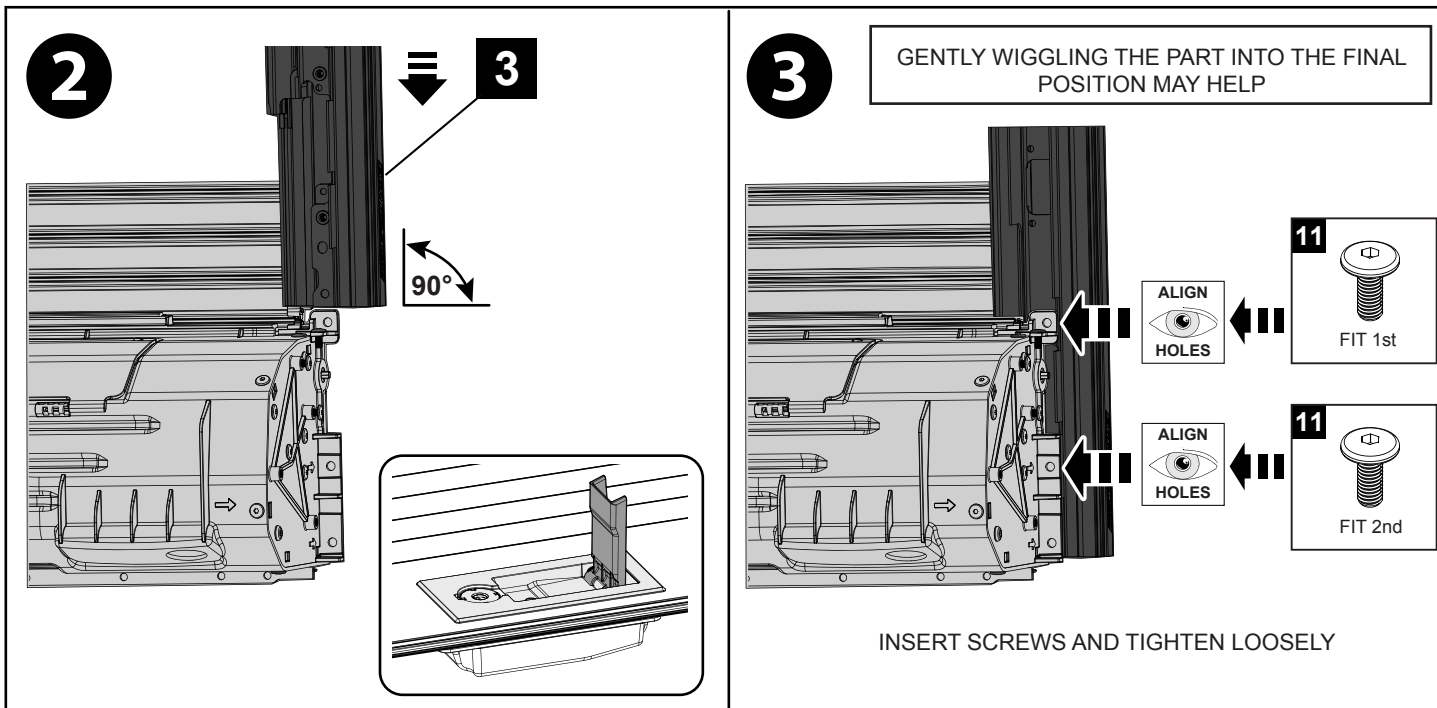
ATTENTION: SEAL MUST FACE IN THE DIRECTION AS SHOWN. WARRANTY VOID IF ASSEMBLED INCORRECTLY.

HOLD SEAL FLAT
USE PACKING TAPE

RHS SHOWN



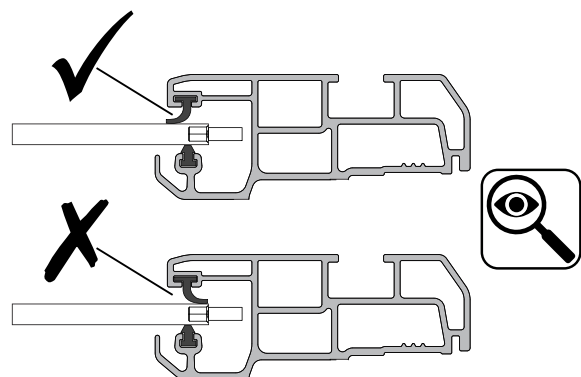
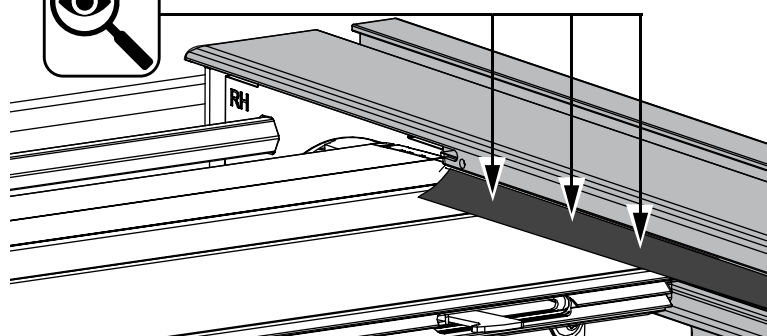
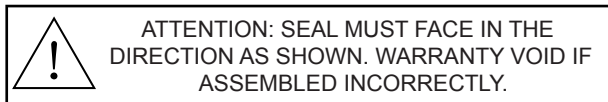
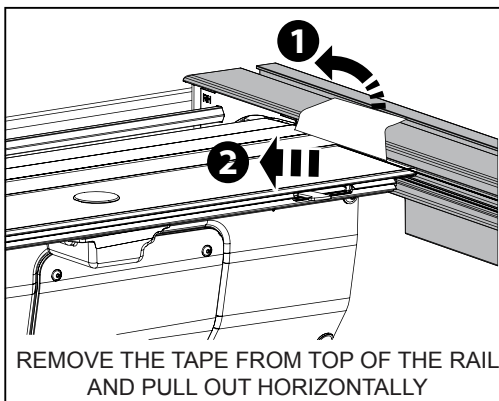
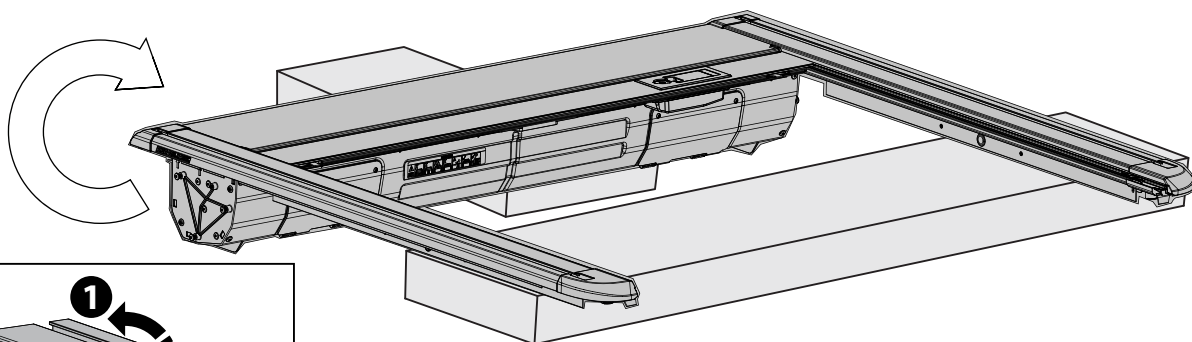
- Place the canister (1) on two protected boxes as shown, ensure hand rail and slat ends are aligned. Tape up the seal on the Side Rail (3) as shown.
IMPORTANT: Carefully align and slide the rail over the handrail and canister endplate taking particular care to ensure that the siderails are slid straight and no undue force is applied to the rail. Details in following steps.



2 Pull hand rail to expose 3 slats. Fully open handle to retract brake pads. Slide the Rail over slat ends and onto endcap location pins. Align the holes and secure loosely with two screws (11). Do not tighten. Repeat for LHS Rail (4).



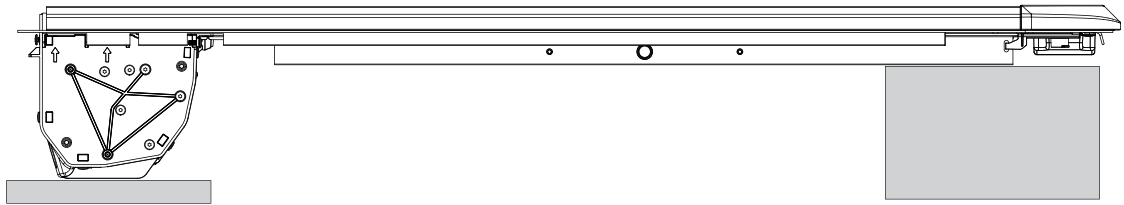
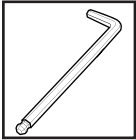
DURING ASSEMBLY PROCEDURE SUPPORT AT CENTRE OF CANISTER ONLY, PLACE ON TOP AND BASE CARTON (OR SIMILAR), COVER WITH FOAM BLANKET. TO AVOID SCRATCHING POWDERCOATED SURFACES.



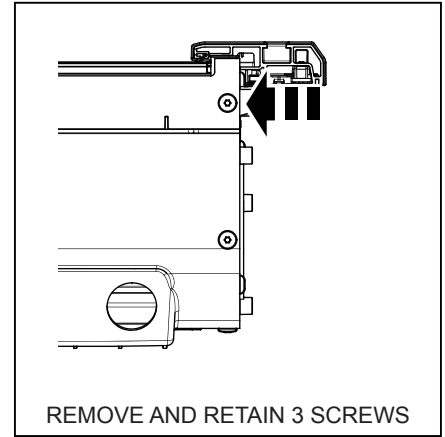
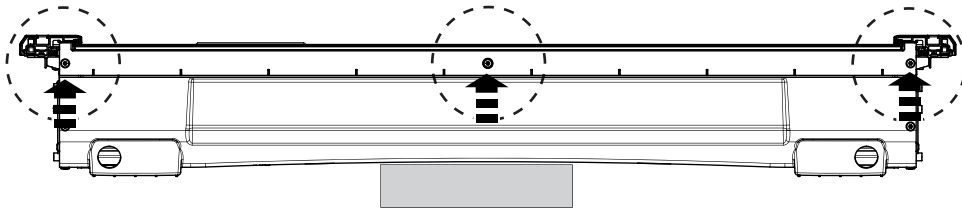
CHECK SEAL IS IN POSITION AND NOT DAMAGED

3 Carefully lay the assembly over onto a protected surface. Remove the tape holding the rubber seal and check the seal position as shown. Repeat for LHS Rail (4)

SIDE VIEW



REAR VIEW

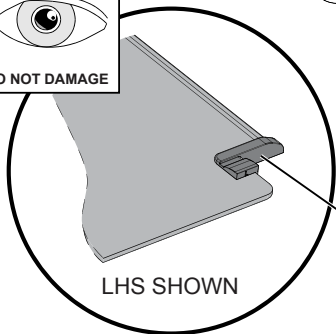


REMOVE AND RETAIN 3 SCREWS

- 4** Remove the 3 pre-fitted screws (11) from the rear of the EGR RollTrac which will be used to secure the Front Plate (1) to the assembly. Ensure the product is not scratched or damaged when laying flat.

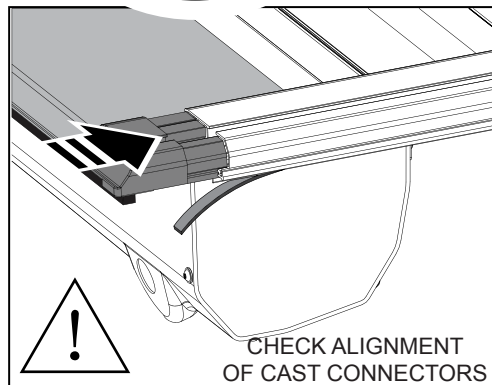


ATTENTION: REMOVE FOAM TAPE END FROM THE SIDE RAIL BEFORE FITTING INTO FRONT COVER

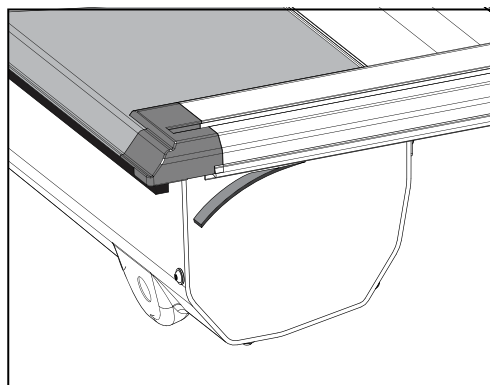


LHS SHOWN

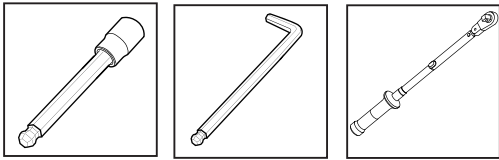
REMOVE TAPE SECURING THE RUBBER CORNER SEAL



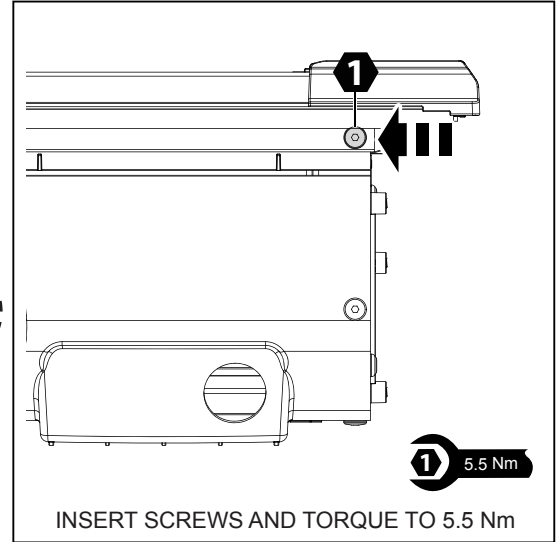
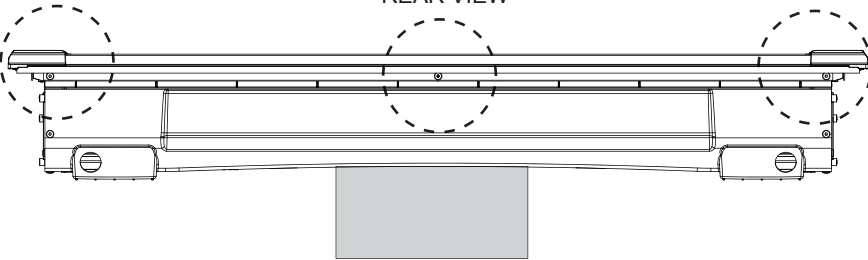
CHECK ALIGNMENT OF CAST CONNECTORS



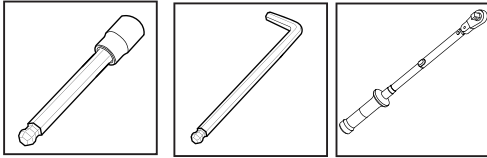
- 5** Slide the Front Plate (2) over the canister and into the side rail channels ensuring that the foam side rail tape is pulled out of side rail and the small rubber corner seal on the RHS and LHS of the front plate are not damaged. **IMPORTANT:** Spray the front cover edge with soapy water to allow it to slide easily into the sides, twisting side rails outwards will also help.



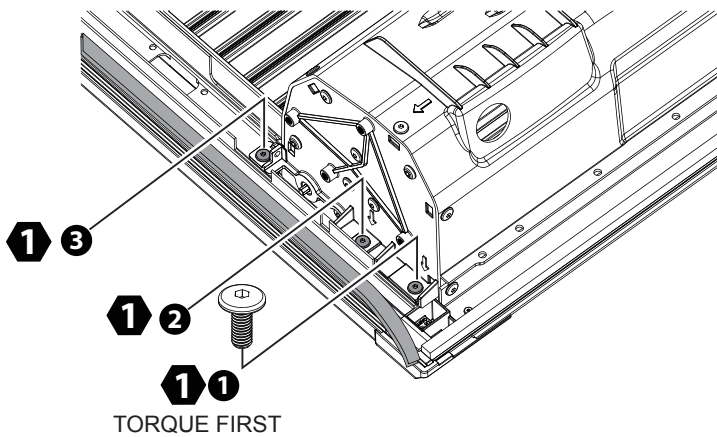
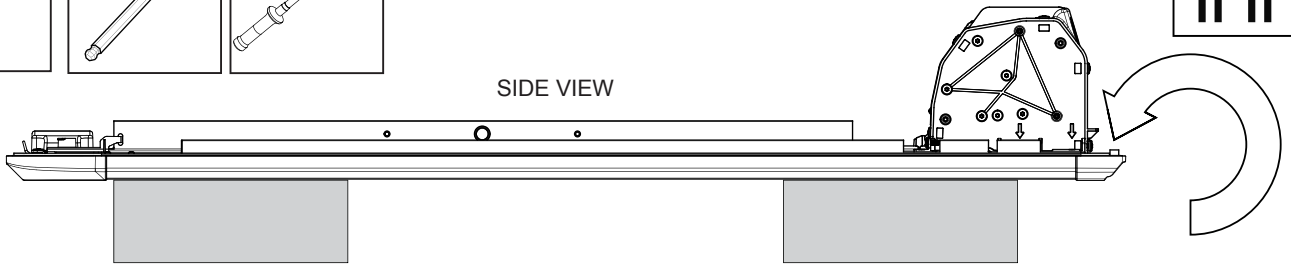
REAR VIEW



6 Using the 3 screws removed from Step 4, screw the Front Plate (2) to the Canister Assembly (1) and torque to 5.5 Nm.



SIDE VIEW

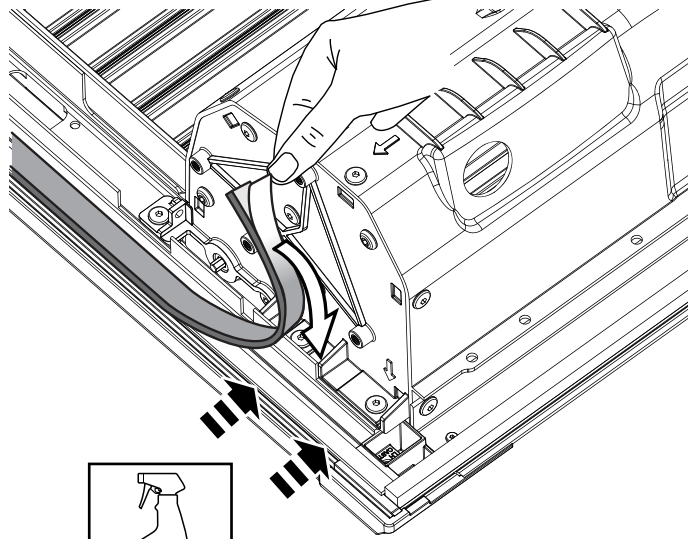


1 5.5 Nm

LHS SHOWN - RHS IS A MIRROR IMAGE

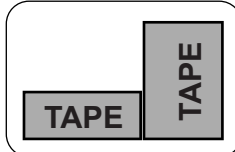
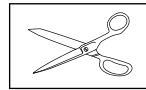
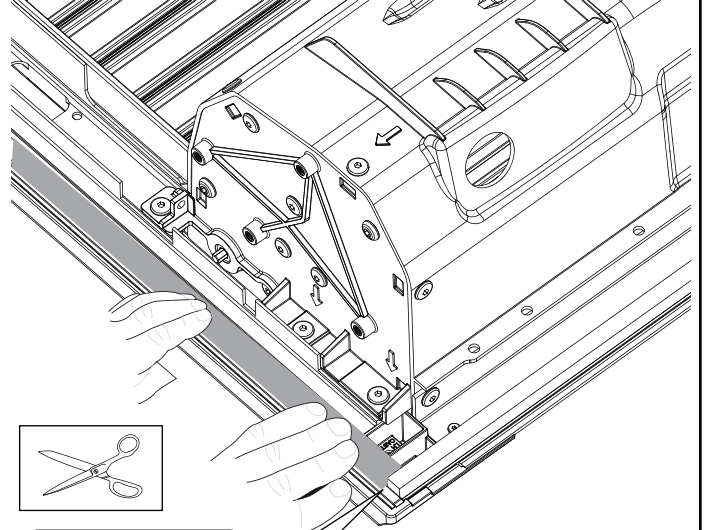
7 Carefully flip the assembly over onto a flat protected surface which will not damage the EGR RollTrac or scratch the paint work. Install the 2 screws (11) at the most rearward position first through the front cover to the side rails and torque to 5.5Nm followed by the remaining 4 screws (11) and torque to 5.5Nm.

LHS SHOWN - RHS IS A MIRROR IMAGE



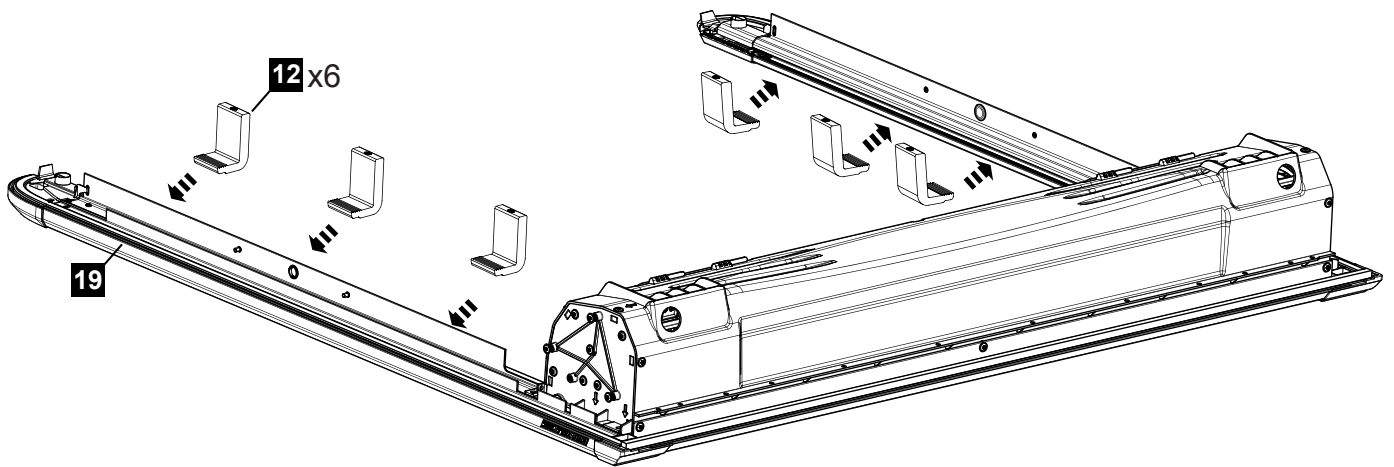
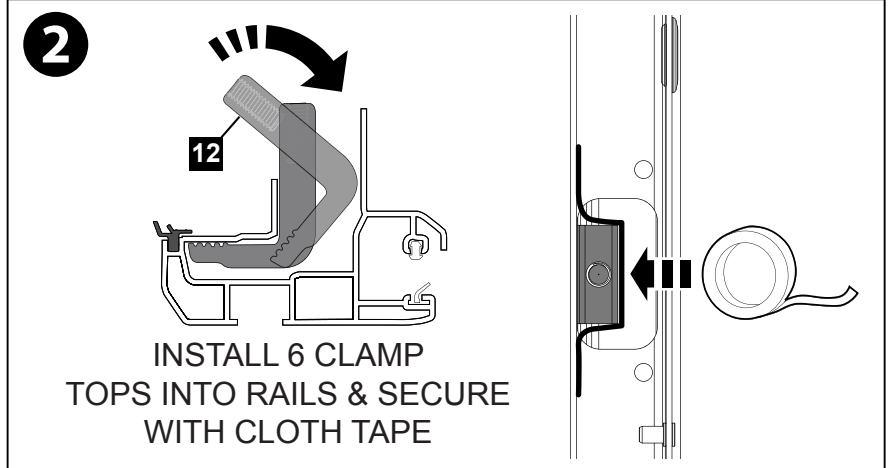
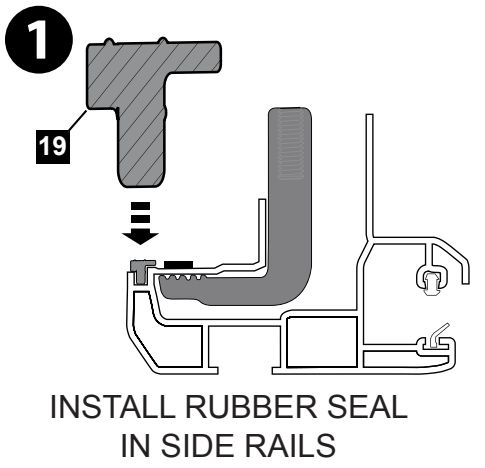
CLEAN WITH ALCOHOL FIRST

LHS SHOWN - RHS IS A MIRROR IMAGE



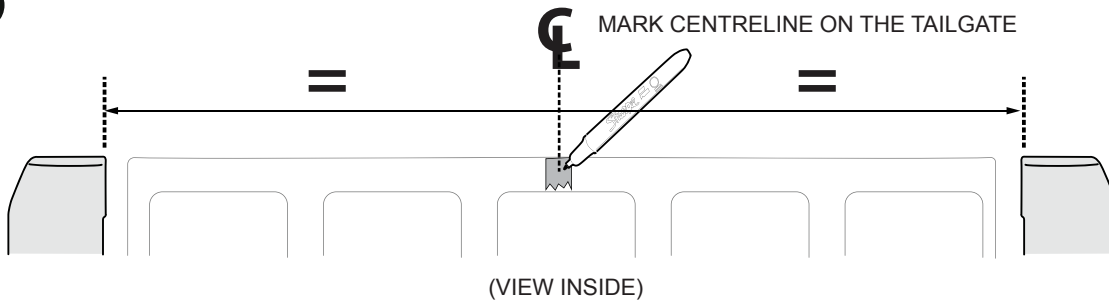
TAPES MUST CONTACT

8 Clean powder coated surface first with alcohol spray. Trim foam tape length to ensure the end will butt against front cover seal - avoiding any gap. Peel the protective liner from the foam tape, adhere to the channel in the side rail, Press down firmly to secure. Repeat on RH side rail.

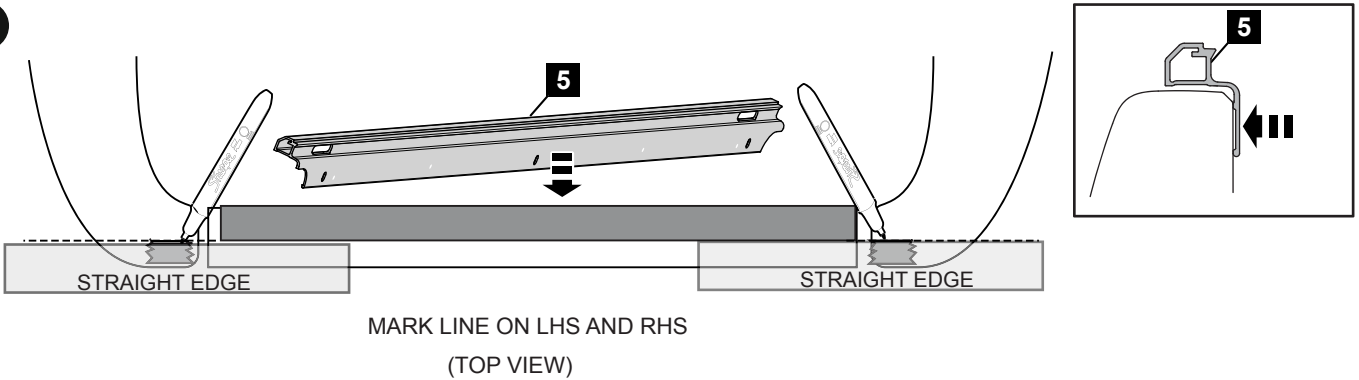


9 1) Install the six Clamp Tops (12) into the LHS and RHS side rails and secure with tape to temporarily hold in position.
2) Install the Rubber Perimeter Seal into each side rail and ensure seal is firmly seated (note the seal orientation).

1



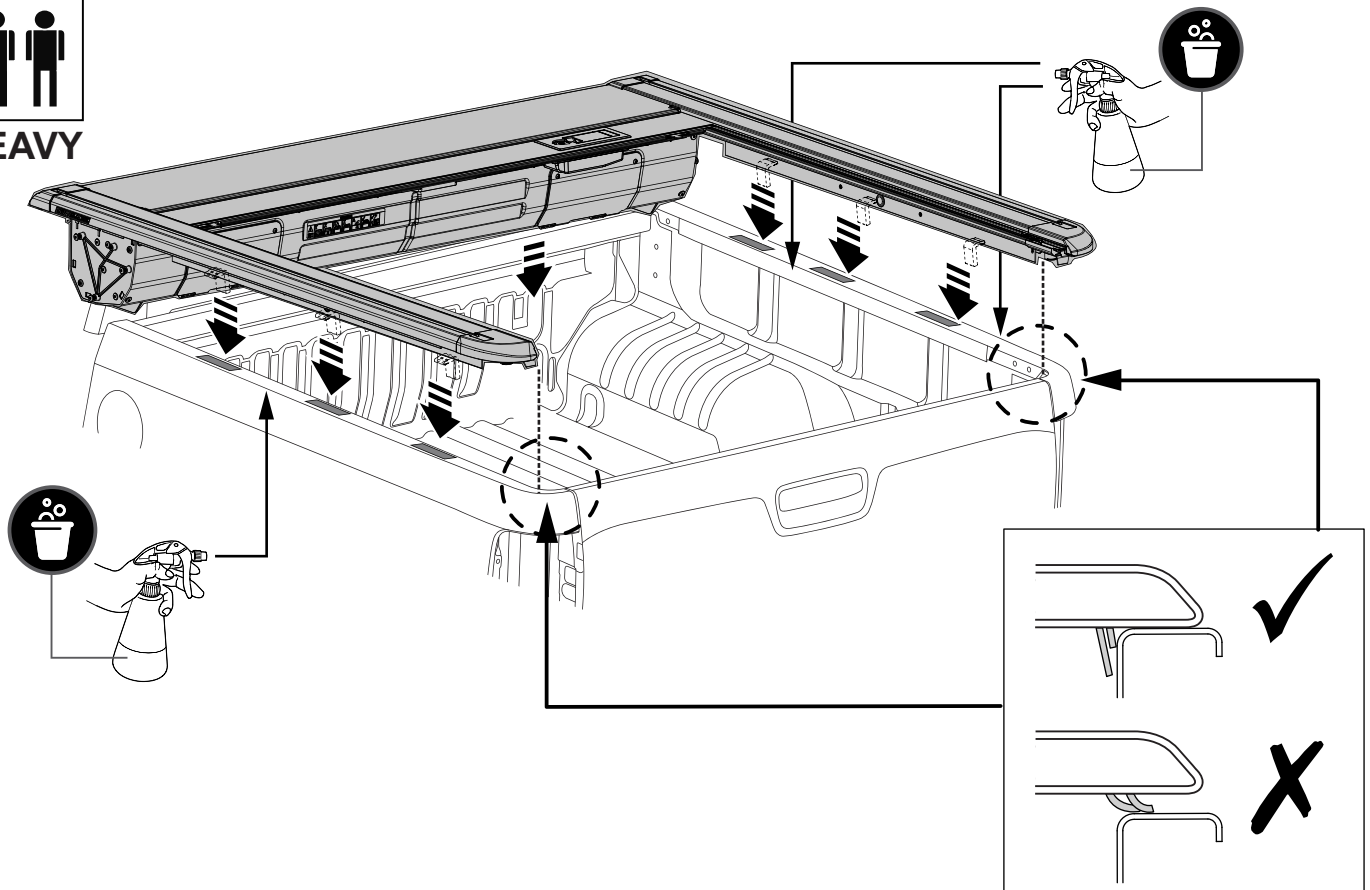
2



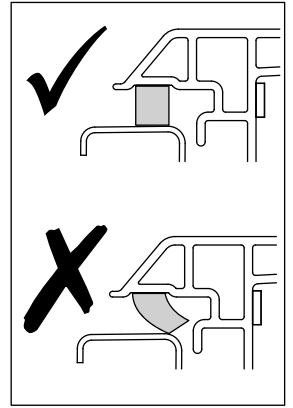
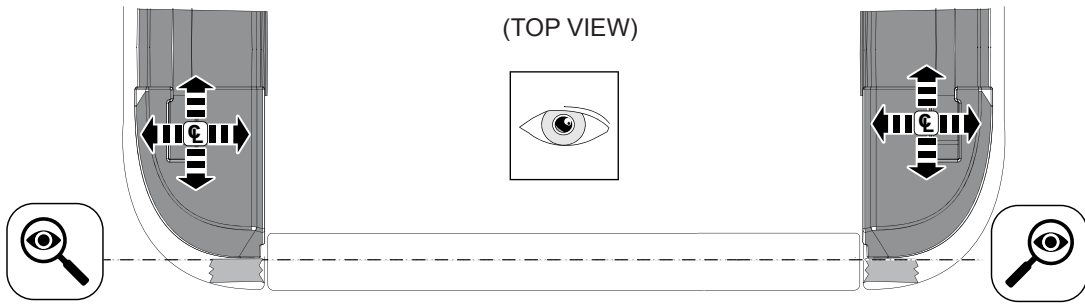
1 Measure the tailgate opening distance, determine the centre point and mark on a strip of tape placed on the tailgate as shown. Install and centralize the Tailgate Rail (5) in position, ensuring the rail is sitting flush up against the tailgate. Place a straight edge as shown and mark a line on each side of the tub on the masking tape. Remove the Tailgate Rail (5).



HEAVY

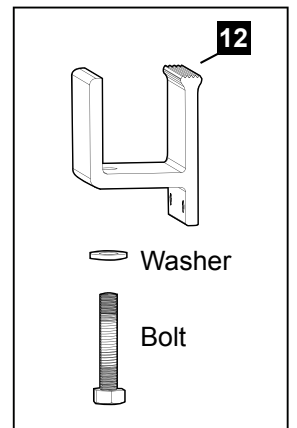
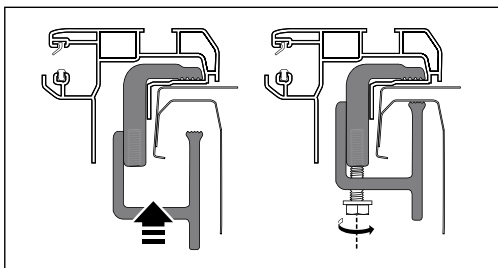
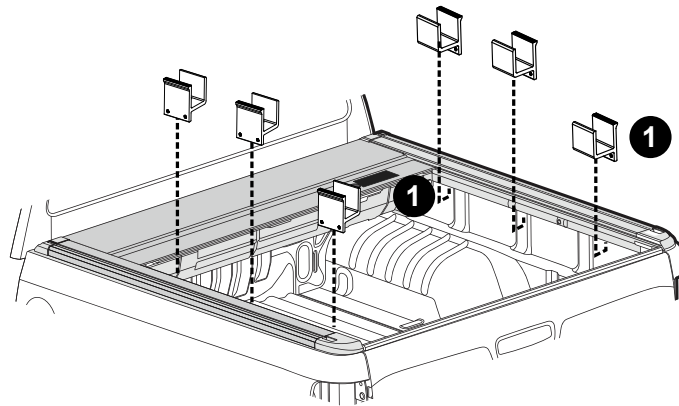
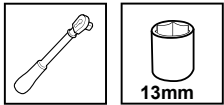


2 Spray the top surface of the tub liberally with a soapy water solution to enable the EGR RollTrac to slide easily. Using two people to lift the EGR RollTrac from both sides and carefully lower it onto the tub. Ensure rear seals are sitting vertically as illustrated.

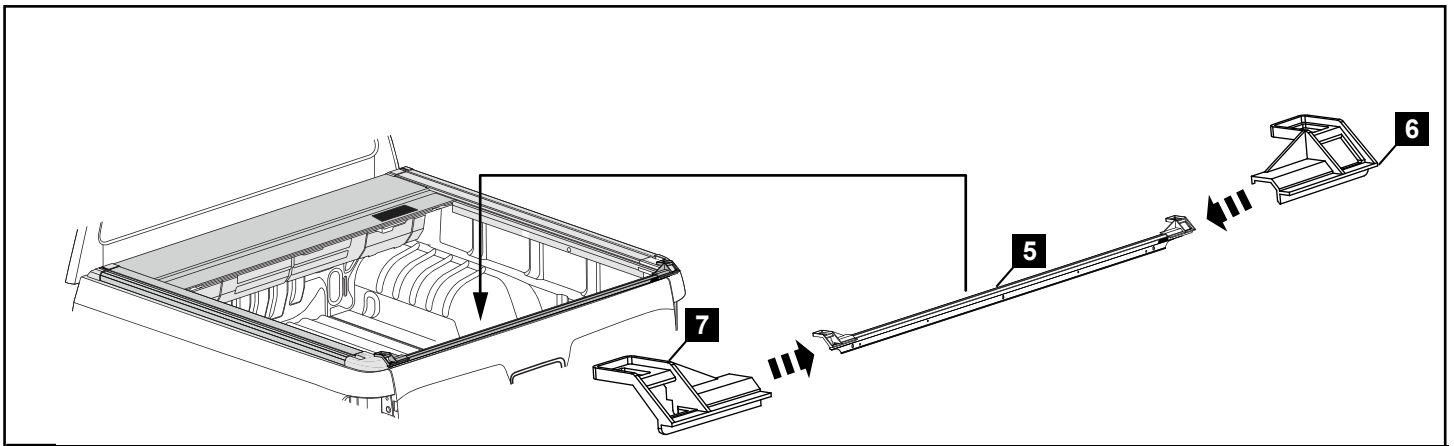


CENTRALIZE AND ALIGN THE EGR RollTrac TO THE MARKINGS

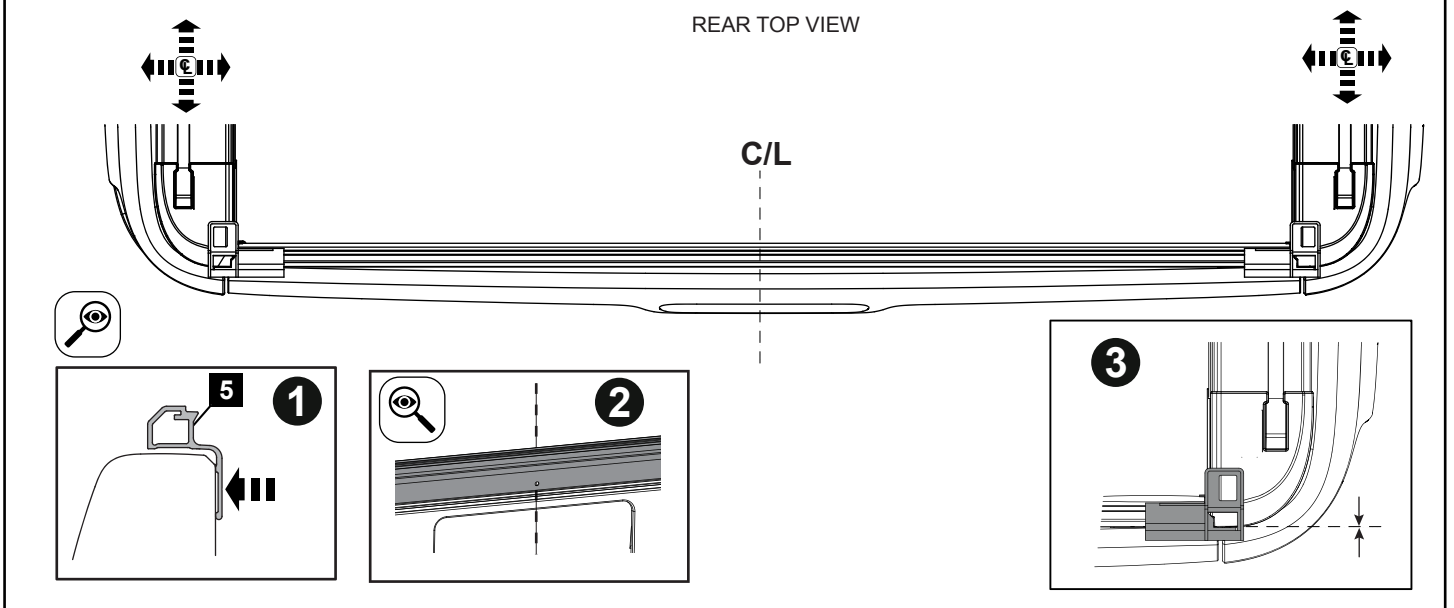
- 3** Adjust the EGR RollTrac so that it is aligned with the previous markings as shown. Ensure seals are not deformed by lifting EGR RollTrac and dropping vertically on tub.



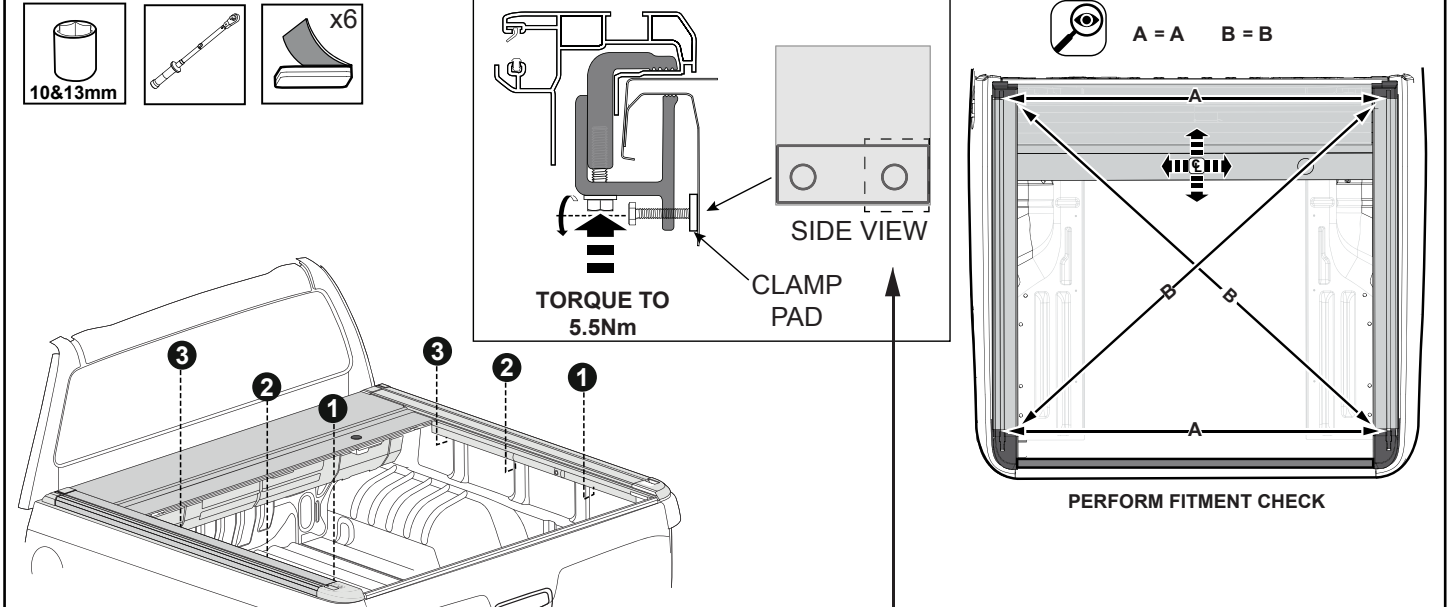
- 4** Loosely install the LHS and RHS clamp bases (12). DO NOT TIGHTEN. IMPORTANT: Ensure to install washers as supplied in the kit.



5 Open the tailgate. Assemble jigs to the tailgate rail, position on rear corners of the cover. Gently close tailgate.

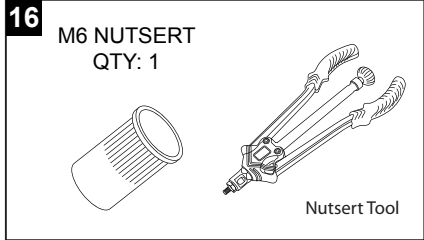
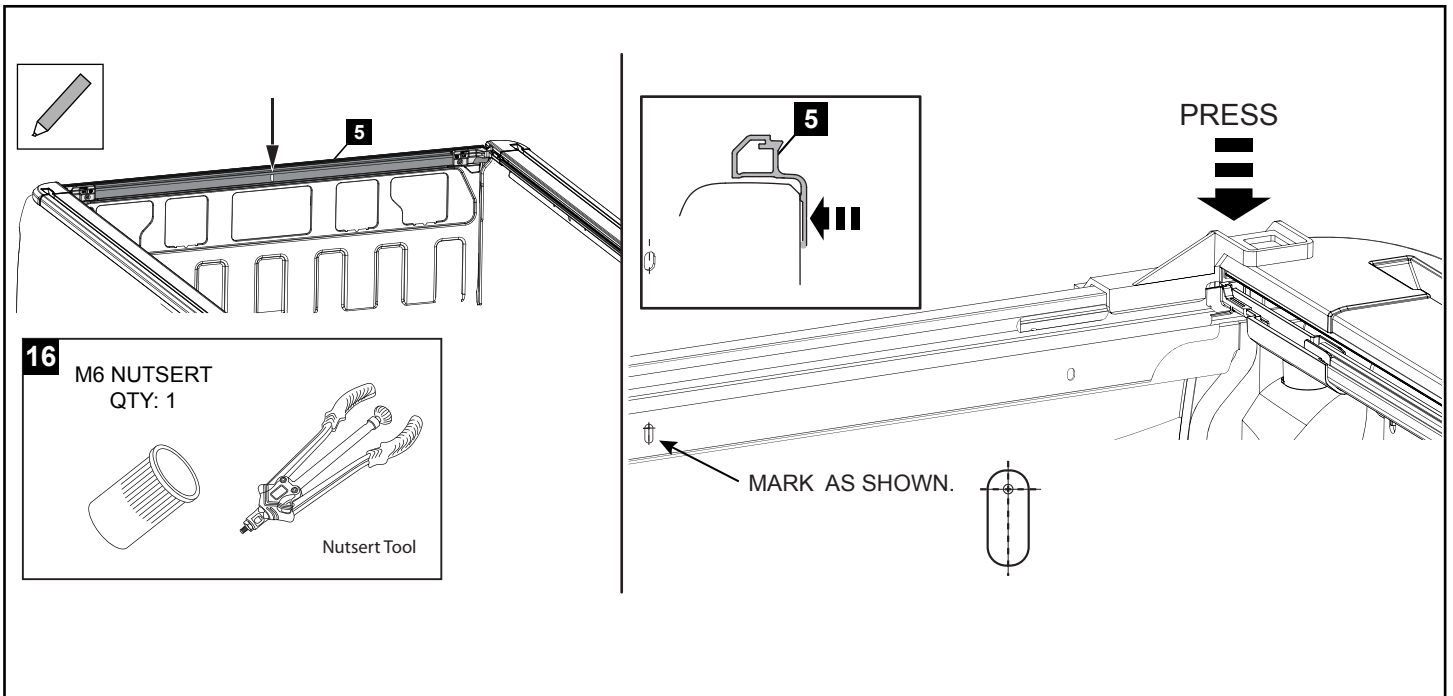


6 Press tailgate rail firmly against the tailgate. Check and adjust side to side by aligning the centre slot of the tailgate rail with pre marked center line. Check front to back position of cover on tub using jigs as a guide.

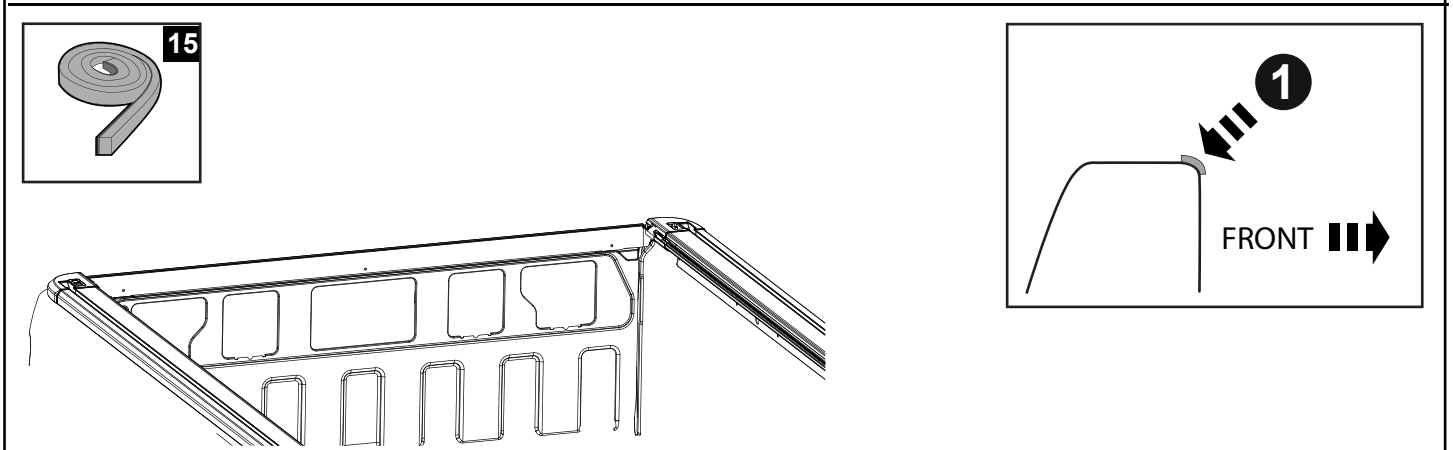


ATTENTION: The side M6 bolts should be tightened until it contacts with the rectangular clamp pad. The bolts should not be tightened any further.

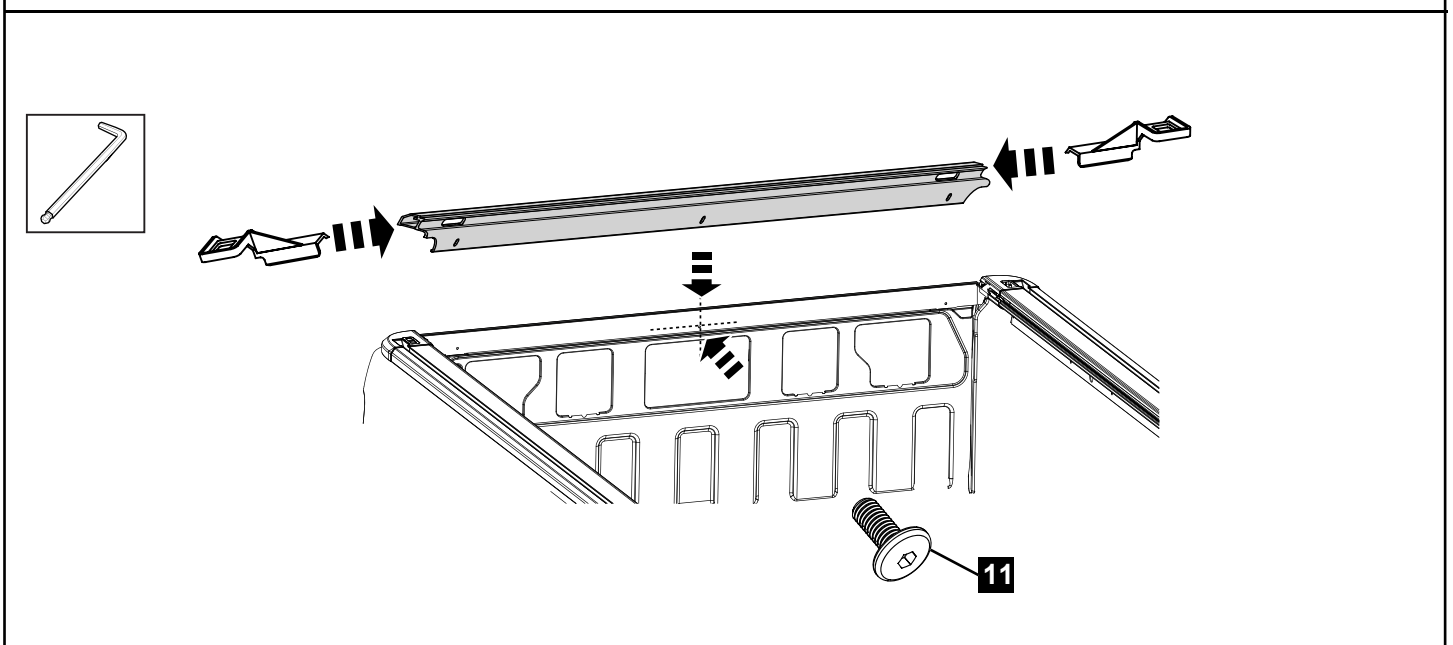
7 Torque (5.5Nm) the rear set of cover clamp bolts, ensuring cover does not move after tightening. Perform diagonal fitment check (bolts may need loosening for adjustment). At this stage the clamp bolts should be tightened from tailgate to the cab to 5.5Nm.



8 Ensure the Tailgate Rail (5) is pushed down and flush with the tailgate. Mark and centre punch the centre slot as shown. Remove tailgate rail and jigs. Drill marked location with 9mm Step Drill. Apply rust inhibitor to the hole in the tailgate. Using Nutsert tool fit 1 Nutserts to the tailgate.

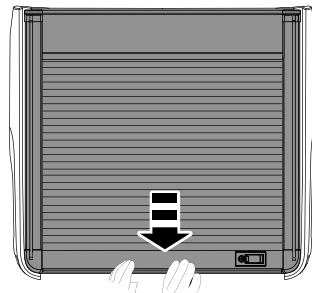
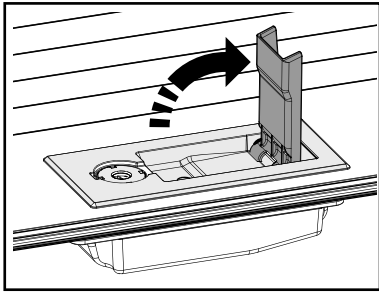


9 Clean tailgate with isopropyl alcohol (50/50), apply primer and let dry. Apply foam tape (15) to the tailgate inside top edge as shown in detail.



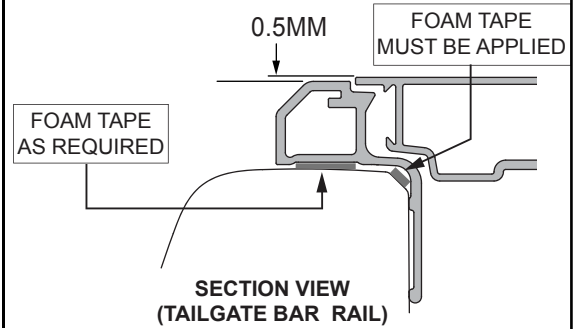
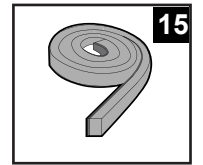
10 Refit the tailgate rail with the jigs to the tailgate. Push down hard in the centre above the bolt fixing onto the tailgate rail and secure with the centre bolt as shown. Torque to 5.5Nm. Remove the jigs.

1

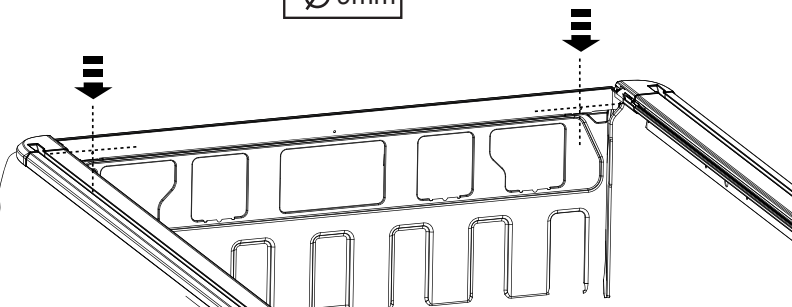
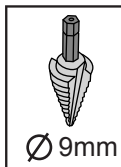
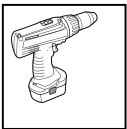
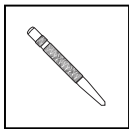


NOTE: LIFT HANDLE TO DISENGAGE BRAKE AND MOVE THE ROLLTRAC TO CHECK IF IT IS ROLLING FREELY

2

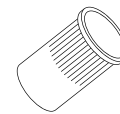


11 Pull the EGR RollTrac rearward to check it is rolling freely and the alignment is 0.5mm above the tailgate rail as shown in detail. **NOTE: At this stage tape may need to be applied to the tailgate rail in order to lift the tailgate rail to the 0.5mm level as required.**



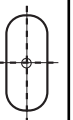
16

M6 NUTSERT
QTY: 2

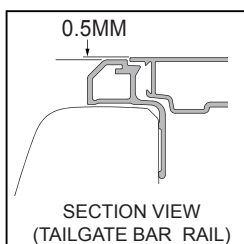
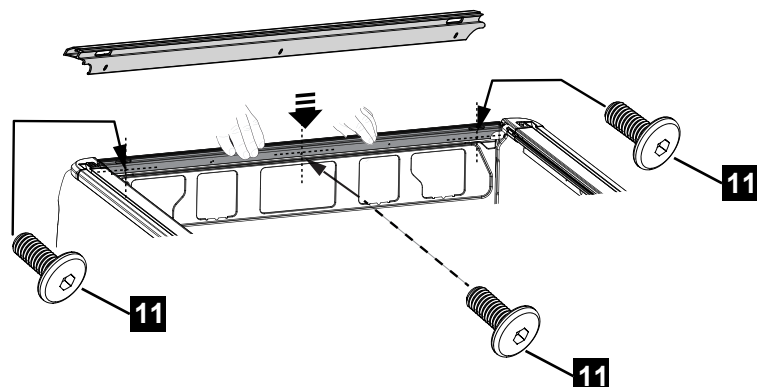
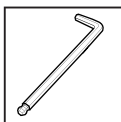


Nutsert Tool

MARK THE CENTRE OF THE SLOT AS SHOWN ON THE 2 OUTSIDE HOLES

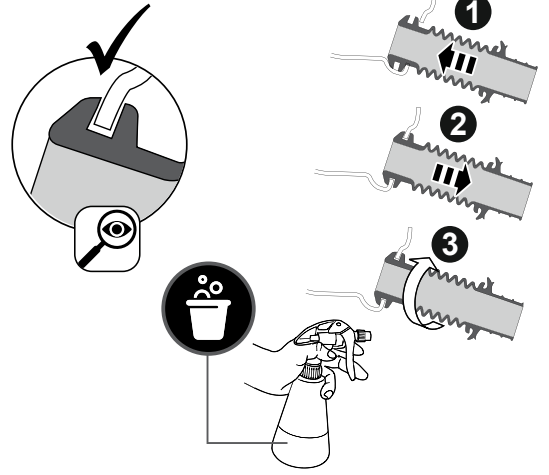
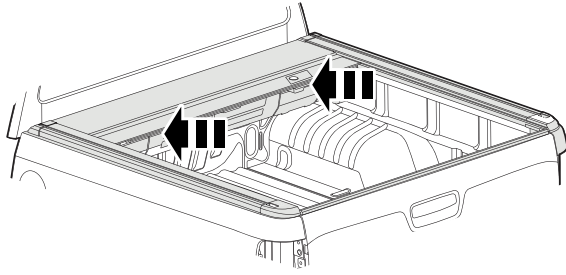


12 Mark the two outside slot holes. Remove the tailgate rail. Centre punch and drill the 2 marked slot positions with 9mm Step Drill. Apply rust inhibitor to the holes in the tailgate. Using Nutsert tool fit 2 Nutserts to the tailgate.

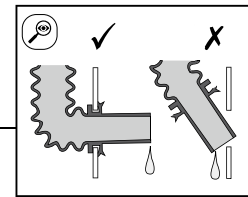
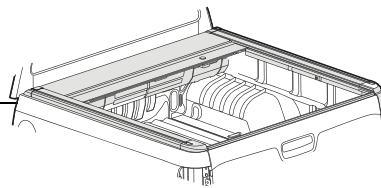
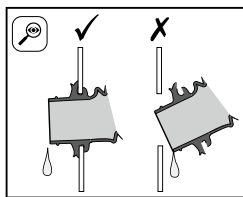
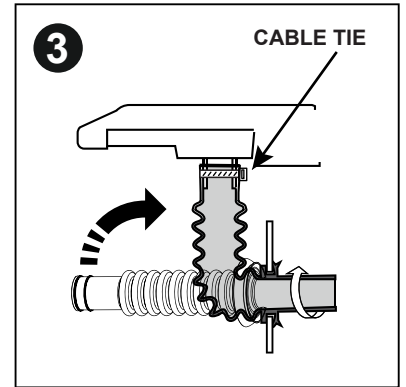
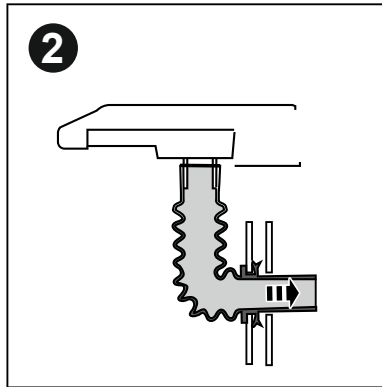
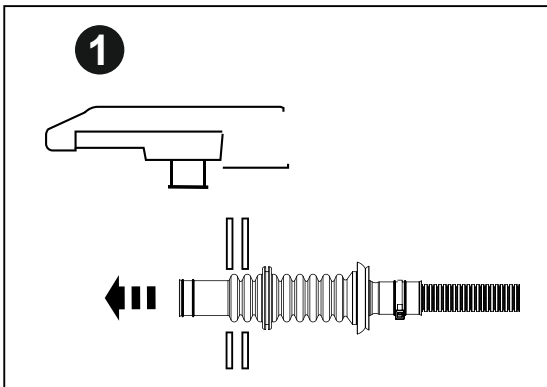


13 Fit tailgate rail, push down to previous position and tighten with 3 M6 screws (11). Check 0.5mm alignment prior to torquing the screws to 5.5Nm.

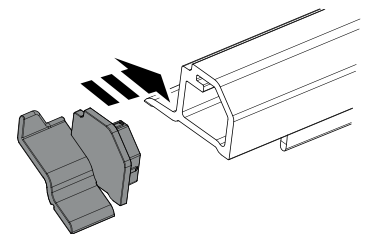
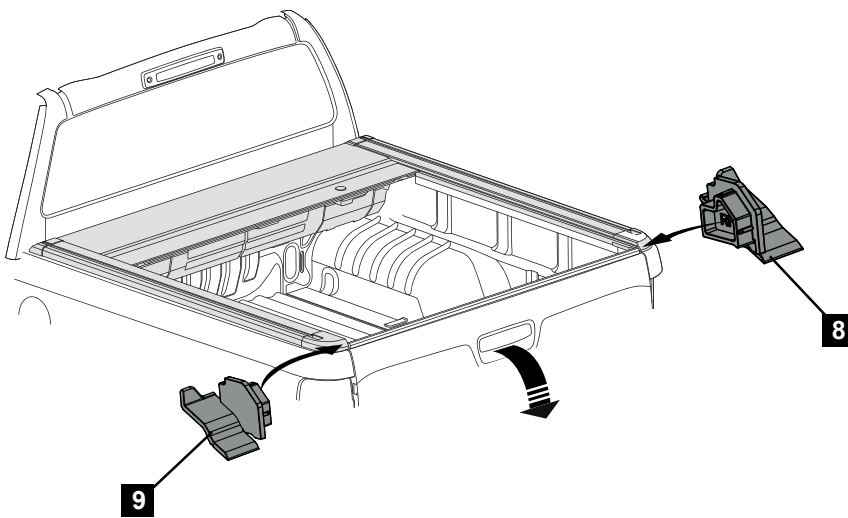
FIT FRONT DRAIN TUBES TO THE CANISTER



INSTALL REAR DRAIN TUBES TO TUB



14 Connect the front drain tubes (13) to the canister cover. Connect rear (14) drain tubes to the vehicle tub, making sure that both tubes engage over the wall of the tub. Leakage will occur if they are not properly installed.

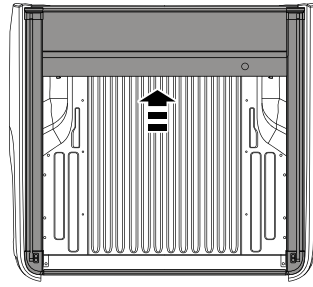
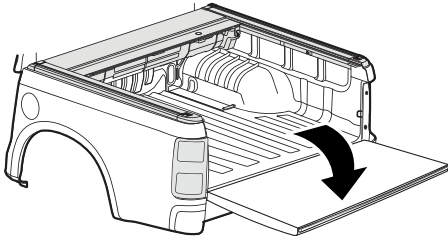


LHS SHOWN RHS IS A MIRROR IMAGE

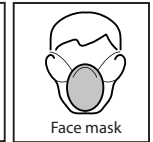
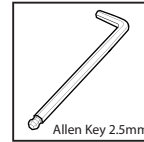
15 Open the tailgate and install the LHS (9) and RHS (8) Wiper Seals into the Tailgate Rail (3).

SILICONE LUBRICATION TO THE SPIRALS (MODELS MAY VARY, IMAGES FOR REFERENCE ONLY)

- 1** Open tailgate and EGR RollTrac

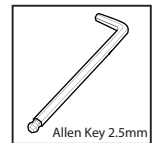
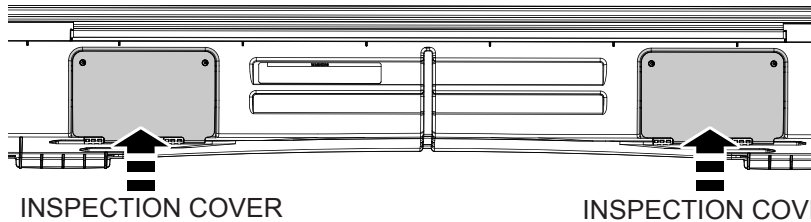


TOOLS REQUIRED:

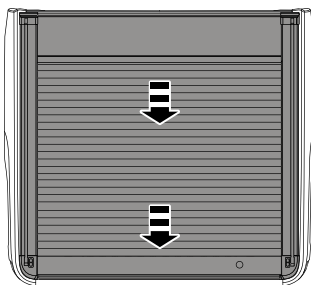


- 2** Using a 2.5mm Allen Key remove the 4 screws and open the inspection covers.

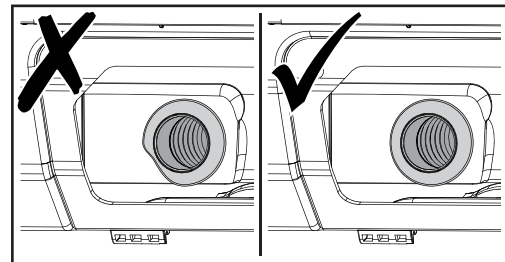
WARNING: Keep clear of moving parts and avoid unnecessary operation of the EGR RollTrac while inspection covers are open.



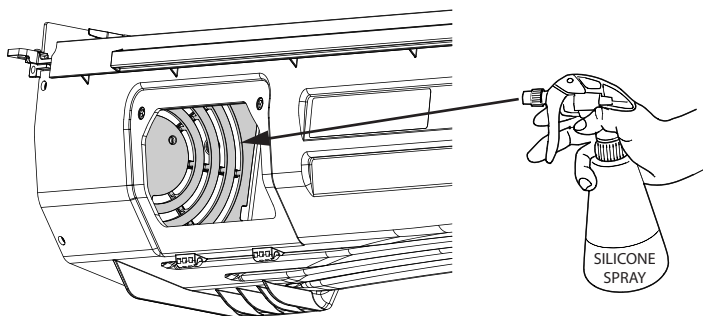
- 3** Close the EGR RollTrac to access canister internals



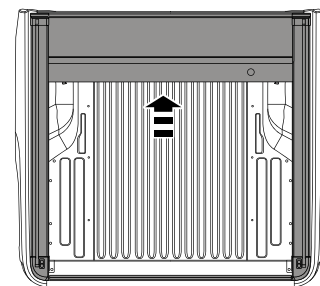
- 4** To avoid water leaks, look into the inspection points and check that the flanges of both front drain tubes are correctly engaged to the canister cover (without any kinking etc.), readjust if required.



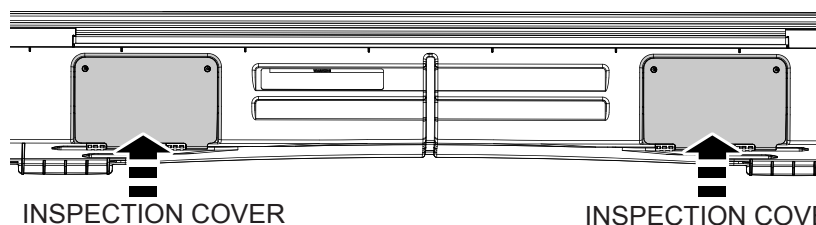
- 5** Using plastic compatible 100% Silicone Spray (ONLY) spray onto the spirals on both ends of the canister through the inspection points.

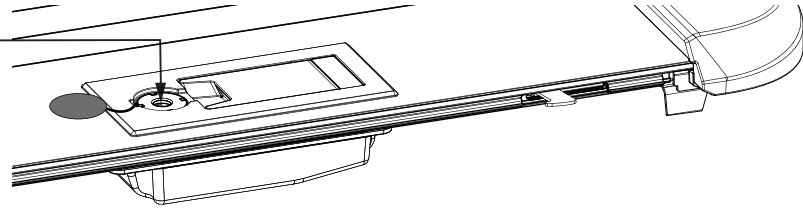


- 6** Open the EGR RollTrac



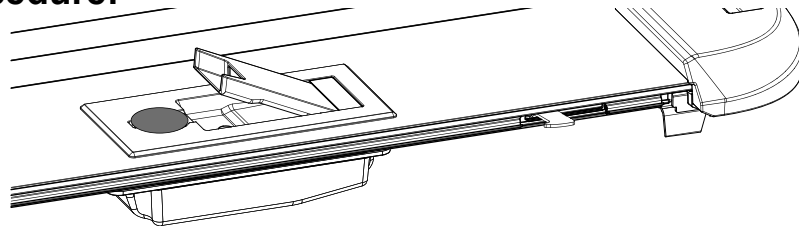
- 7** Close the inspection covers and secure with retained screws. Open and close the EGR RollTrac to distribute lubricant and check operation.



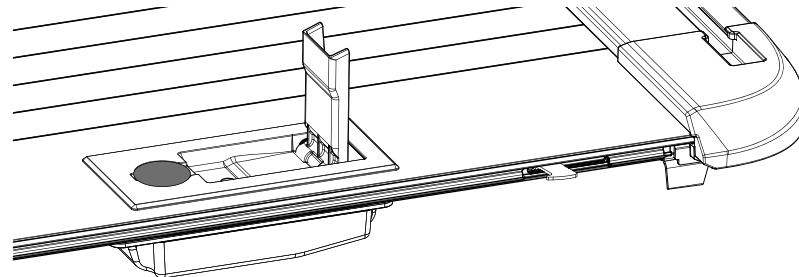
Locking / unlocking using key:

1. Ensure the EGR RollTrac handle is down.
2. Open the rubber cap covering the lock and using the provided key turn LEFT (CCW) to lock and RIGHT (CW) to unlock the hand rail.
3. Check latch engagement by opening the tailgate, if lock does not engage recheck EGR RollTrac installation. Ensure the lock cap is pushed down to seal the lock.

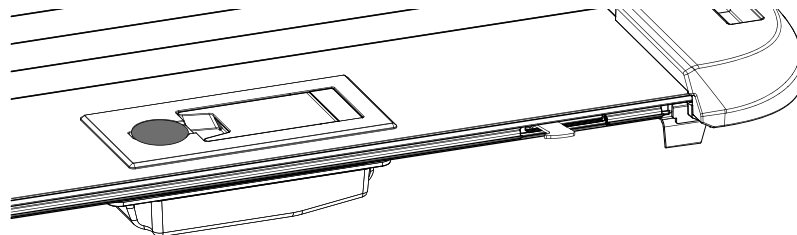
Note: handle must be folded down prior to locking / unlocking with key. Ensure the lock cap is pushed down to seal the lock after every use.

Opening & Closing Procedure:

Ensure the EGR RollTrac is unlocked. Lift the handle approx 30 degree up, in order to release the latches from the tailgate rail and open the vehicle tailgate.

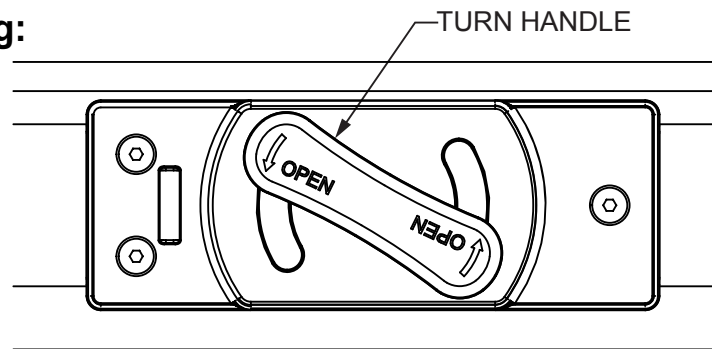


Lift the handle up to 90 degree, in order to disengage brake and slide the hand rail.



Set the hand rail to desired position and fold the handle down.

NOTE: Cover should open and close smoothly. If cover does not lock or open correctly, please refer to the trouble shooting section in the Owners Manual.

Emergency Opening:

Turn the emergency release handle located on the centre of the hand rail assembly and retract the EGR RollTrac.

FINAL NOTES

Dispose of all packaging and waste according to local regulations.
Retain your Owners Manual, Fitting Instructions and fitting jigs for future reference.
Refer to Owners Manual for operation, warranty, service and product care guidelines.
Complete the installation check list in Owners Manual and store keys safely.
Clean the EGR RollTrac using multi purpose cleaner to remove any residue from packaging and installation.