

INSTALLATION INSTRUCTIONS

EGR *ROLLTRAC*

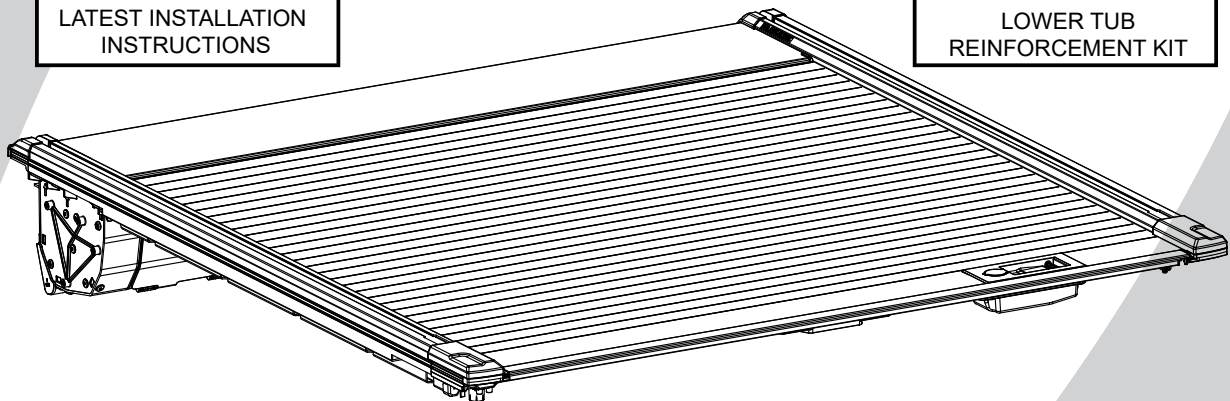
MANUAL

**Vehicle Model & Year: FORD RANGER MY22 &
VW AMAROK MY23 onwards**



IMPORTANT:

IF THE EGR ROLLTRAC IS FITTED TO THE VEHICLE WITH **ANY ACCESSORY LOADED WITH MORE THAN 45KG**, A LOWER TUB REINFORCEMENT KIT **MUST** BE FITTED. THE LOWER TUB REINFORCEMENT KIT CAN BE PURCHASED FROM YOUR LOCAL DEALER OR DIRECTLY FROM EGR (ITEM: 040174).



Installation time: 120 minutes (without tubliner)

Caution

- Do not attach EGR RollTrac in a location or by a method not specified.
- Do not use this product for any vehicle make or model, other than those specified in this document.
- Do not remove the plaque or label from this product.
- Do not modify the structure of the EGR RollTrac in any way.

General Notes

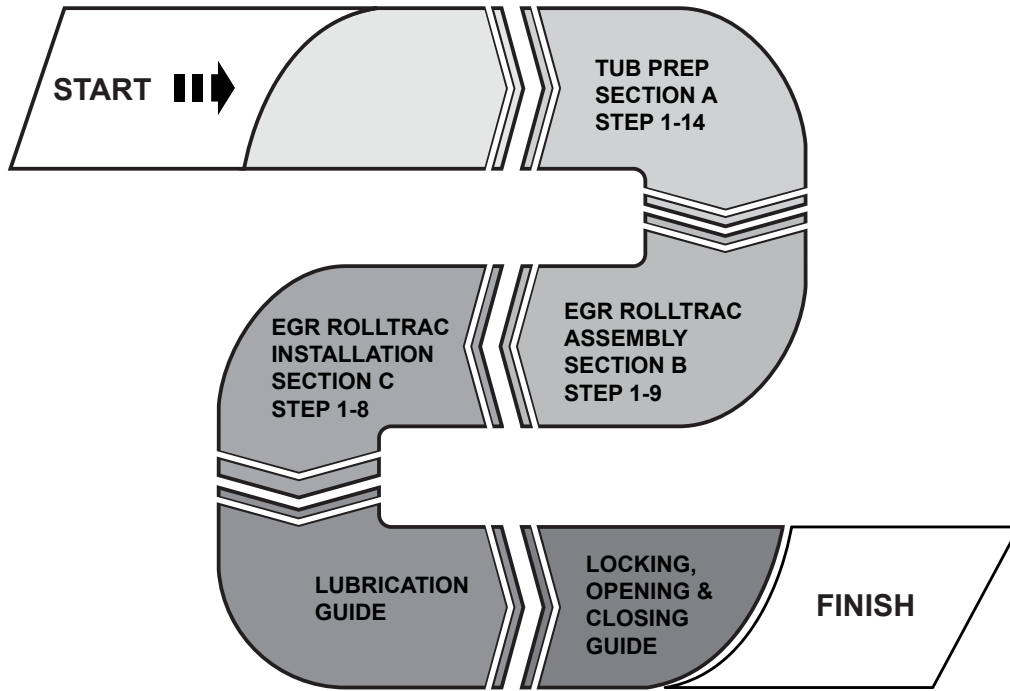
- Read through the fitting instructions before installation of EGR RollTrac.
- Always install the accessory following the fitting instructions. Failure to do so may cause damage to the vehicle or the accessory.
- Ensure all recyclable discarded vehicle accessory components and packaging are recycled following local recycling regulations.
- It is always recommended that this accessory is fitted by a qualified Technician.
- Safely store and protect any removed vehicle components.
- Ensure all bare metal surfaces are protected using Automotive Bare Metal Primer and touch-up paint.
- Remove all metal swarf and dust from all vehicle surfaces if surface is used for accessory installation.

Safety Notes

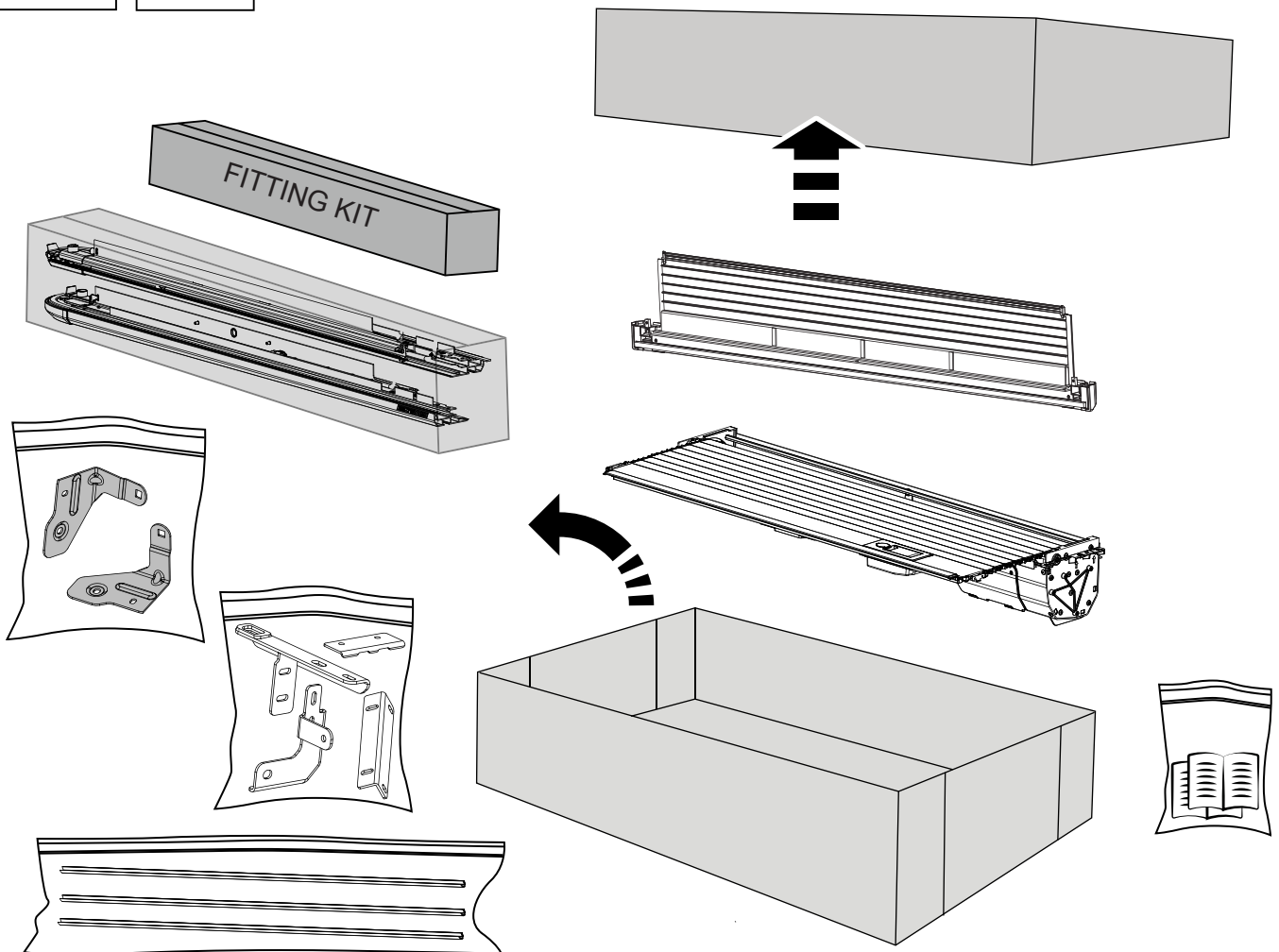
- Check that all work practices comply with safety standards.
- Please wear appropriate clothing and use safety equipment.



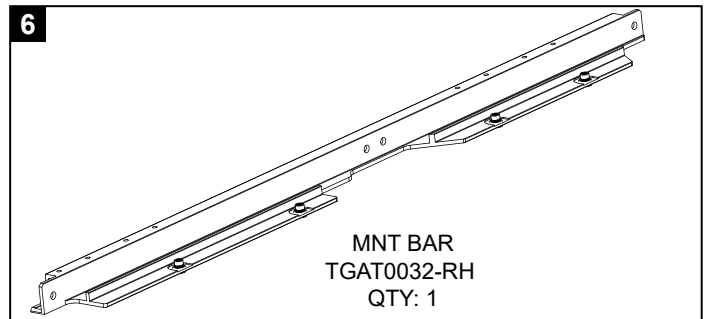
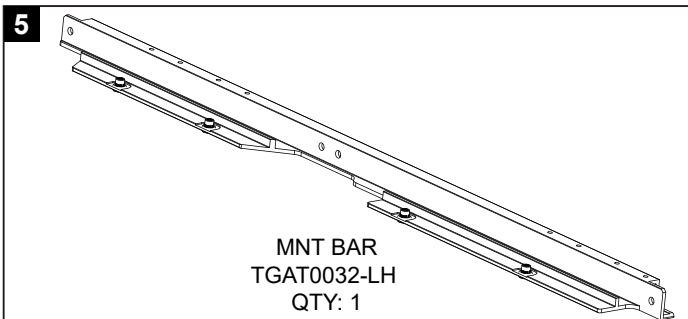
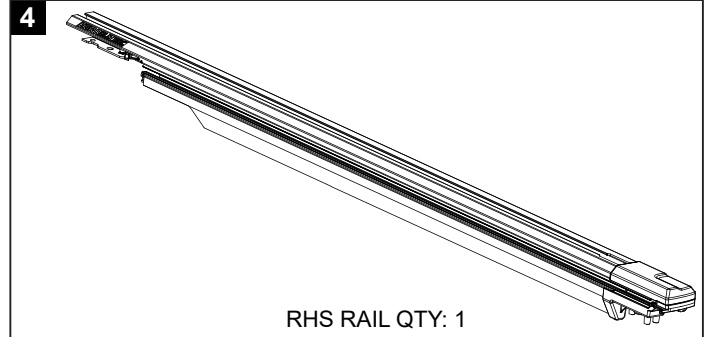
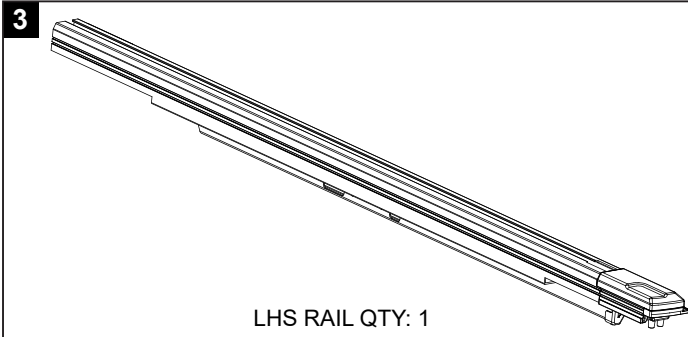
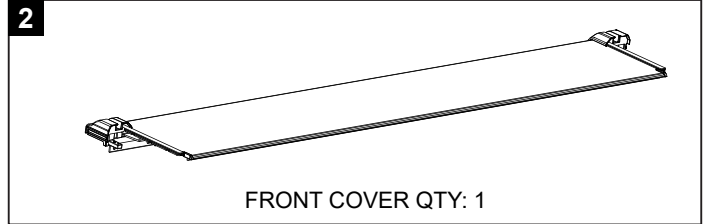
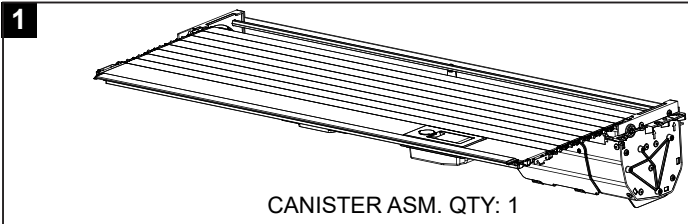
INSTALLATION PROCESS



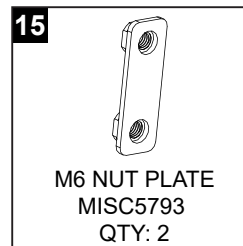
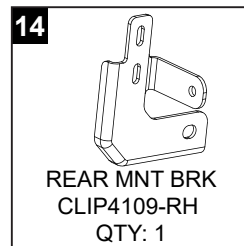
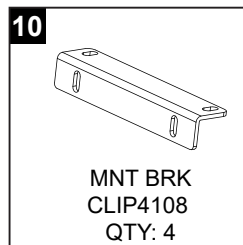
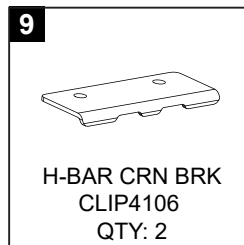
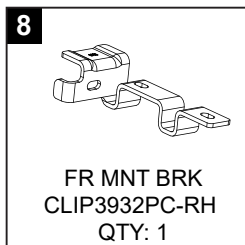
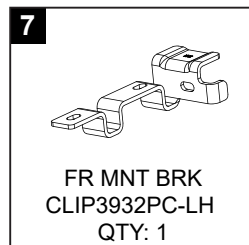
UNPACKING



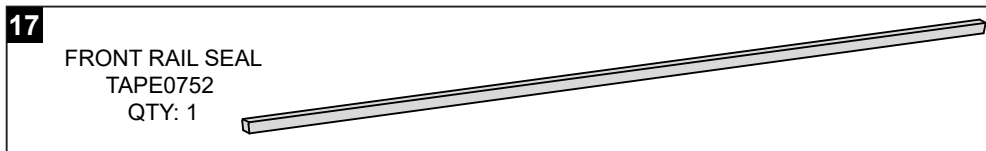
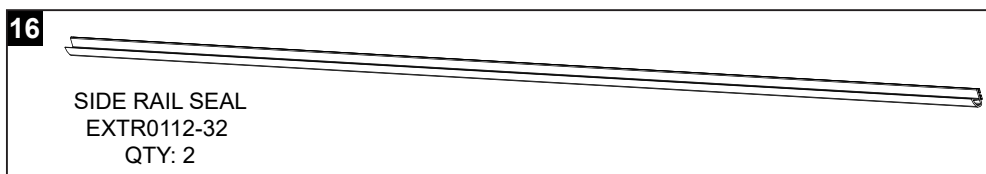
KIT CONTENTS - COMPONENT NUMBER AND QUANTITY



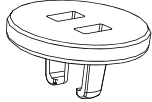



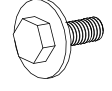
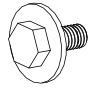
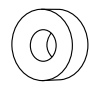
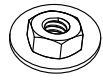

EGR EGR ROLLTRAC CLAMP KIT IN BAG



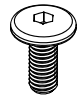
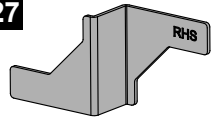
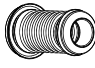
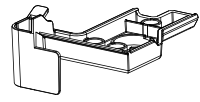
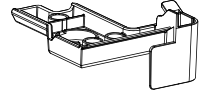

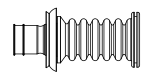
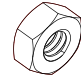
EGR EGR ROLLTRAC BULB KIT IN BAG





EGR EGR ROLLTRAC MBAR HARDWARE KIT IN BAG

<p>18</p>  <p>SCREW END PAD MISC5812 QTY: 8</p>	<p>19</p>  <p>M6x50 HEX HEAD SCRW0967 QTY: 8</p>	<p>20</p>  <p>M6x15 HEX DRIVE SCRW0973 QTY: 14</p>	<p>21</p>  <p>M8x25 BUTTON HEAD HEX DRIVE SCRW0974 QTY: 6</p>	<p>22</p>  <p>M6x20 HEX HEAD SCRW0997 QTY: 10</p>
<p>23</p>  <p>M6x15 HEX HEAD SCRW01001 QTY: 16</p>	<p>24</p>  <p>SPACER MISC5457 QTY: 6</p>	<p>25</p>  <p>M6 HEX NUT NUTS0285 QTY: 8</p>	 <p>INSTALLATION INSTRUCTIONS & OWNERS MANUAL</p>	

EGR EGR ROLLTRAC FITTING KIT IN BOX

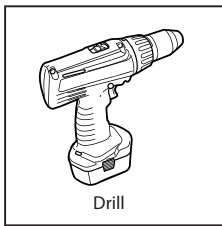
<p>26</p>  <p>M6x15 HEX DRIVE SCRW0973 QTY: 6</p>	<p>27</p>  <p>FIT JIG MISC5822 QTY: 1</p>	<p>28</p>  <p>FR DRAIN TUBE MISC5222 QTY: 2</p>	<p>29</p>  <p>WATER DUCT INJM0274-LH QTY: 1</p>	<p>30</p>  <p>WATER DUCT INJM0274-RH QTY: 1</p>
<p>31</p>  <p>REAR DRAIN TUBE (VEHICLES WITHOUT DDK ONLY) QTY: 2</p>		<p>32</p>  <p>REAR DRAIN TUBE (DDK ONLY) MISC5223-32 QTY: 2</p>	<p>33</p>  <p>M6 HEX NUT NUTS0284 QTY: 2</p>	

UPPER TUB REINFORCEMENT BRACKETS

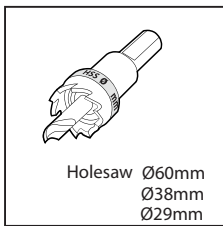
<p>34</p>  <p>Upper Tub Reinforcement Bracket (CLIP4092PC-RH) Qty - 1</p>	<p>35</p>  <p>Upper Tub Reinforcement Bracket (CLIP4092PC-LH) Qty - 1</p>
---	---



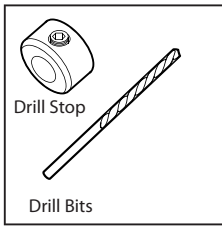
TOOLS REQUIRED - NOT SUPPLIED IN KIT



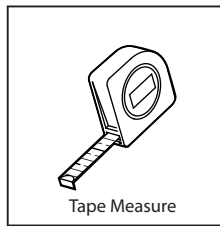
Drill



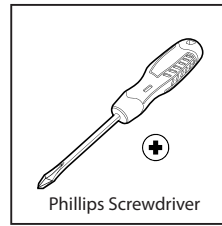
Holesaw Ø60mm
Ø38mm
Ø29mm



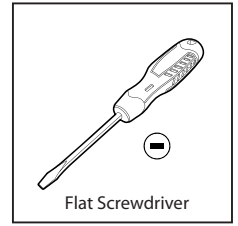
Drill Stop
Drill Bits



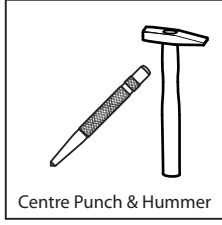
Tape Measure



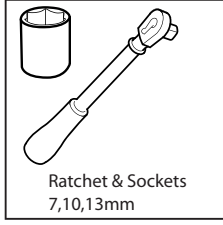
Phillips Screwdriver



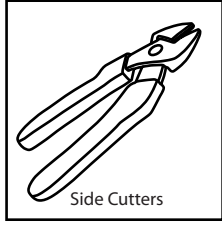
Flat Screwdriver



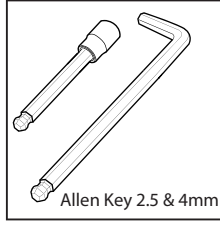
Centre Punch & Hammer



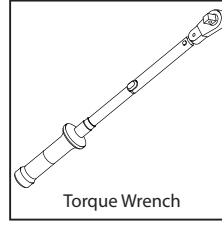
Ratchet & Sockets
7,10,13mm



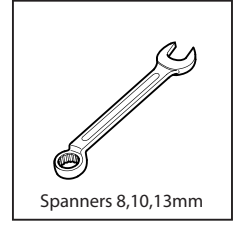
Side Cutters



Allen Key 2.5 & 4mm



Torque Wrench



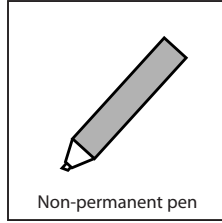
Spanners 8,10,13mm



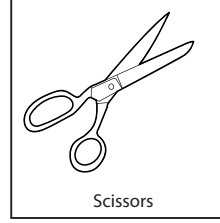
Anti-abresion tape to seal
holes & slots



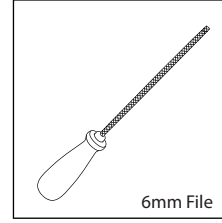
Masking Tape
Fiberglass Tape
Black Cloth Tape



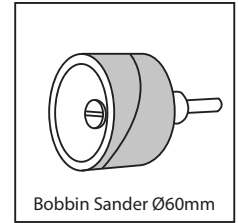
Non-permanent pen



Scissors

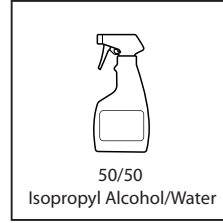


6mm File

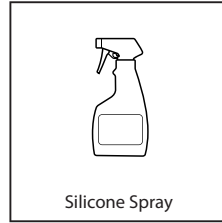


Bobbin Sander Ø60mm

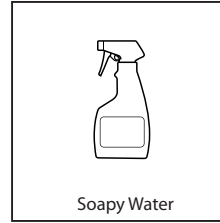
Cutting device
needed to trim
bed cap



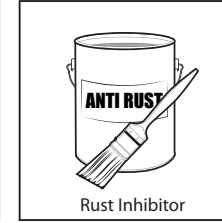
50/50
Isopropyl Alcohol/Water



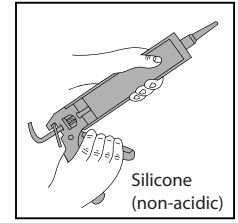
Silicone Spray



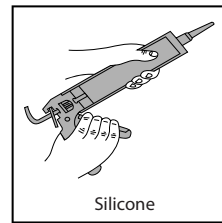
Soapy Water



ANTI RUST
Rust Inhibitor



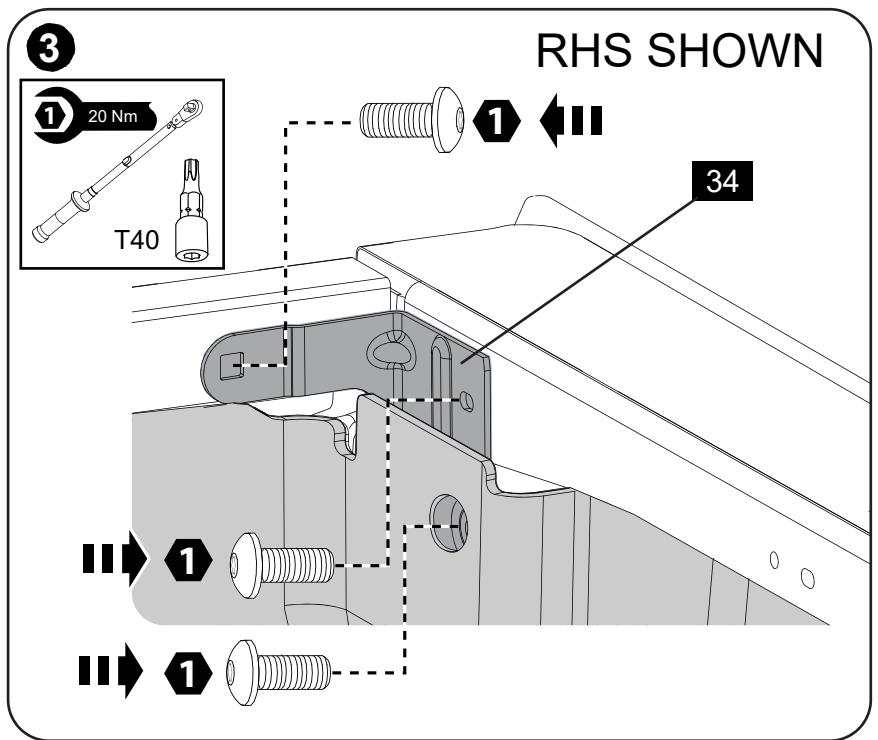
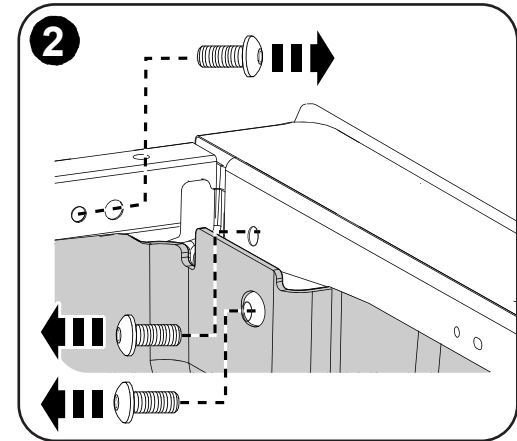
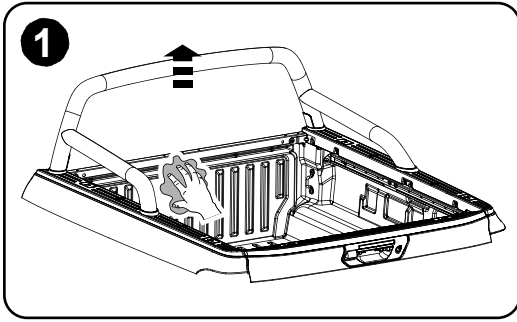
Silicone
(non-acidic)



Silicone

GLOSSARY:

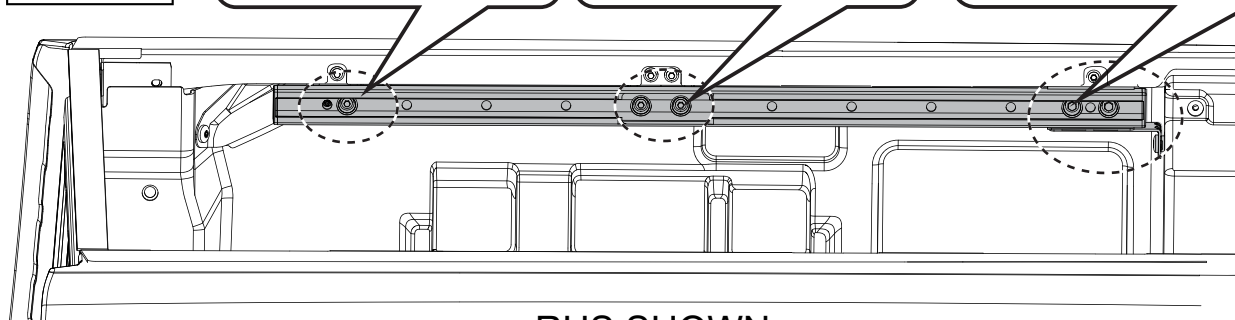
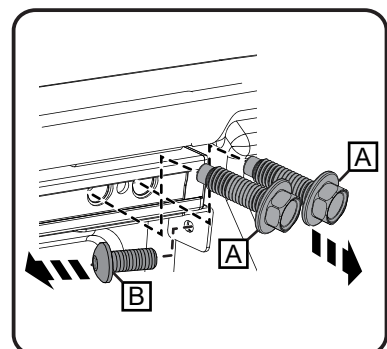
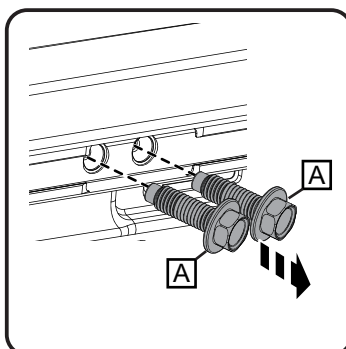
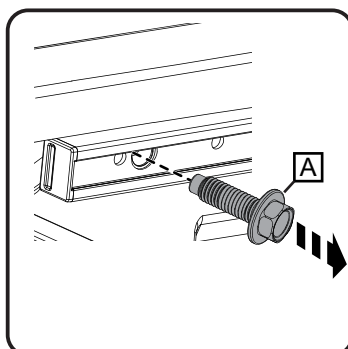
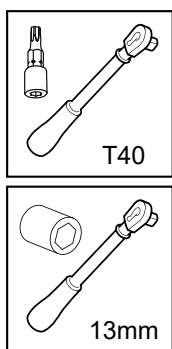
- 1** Number inside a square indicate part number
- 1** Number inside circle indicate the sequence within a step
- 1** Number inside the hexagon indicate torque instruction



- 1** If Sportsbar is present, remove it and store in safe place. Keep brackets attached to the tub. Clean the top and inside of the tub. Remove the tail lights.
- Remove 3x torx screw from tub and retain. Place the Front Reinforcement Bracket (34) underneath the tub liner (if applicable) and secure with 3x torx screws previously removed. Torque to 20Nm. Repeat for the LHS.



PERFORM THIS STEP ONLY IF CMS IS FITTED

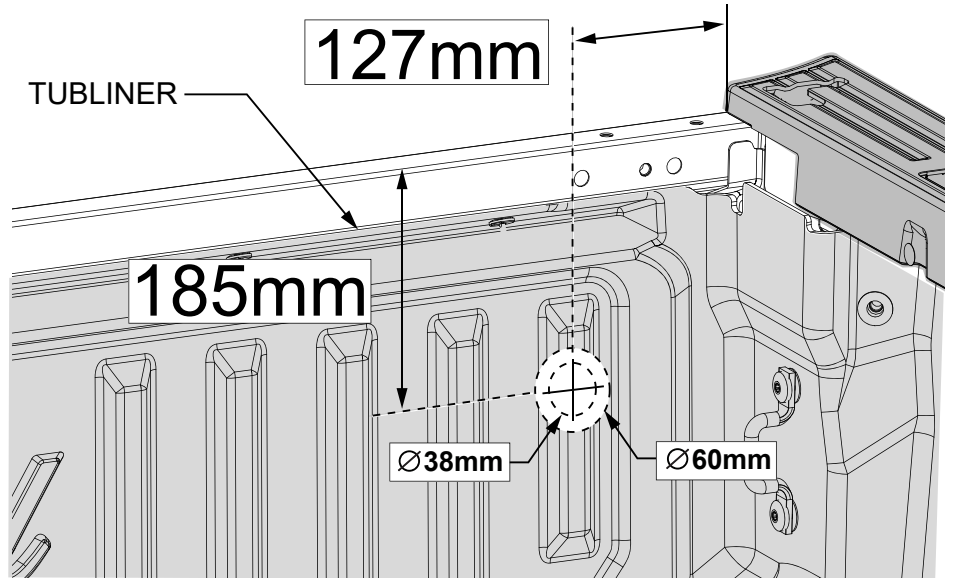
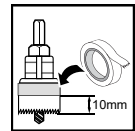
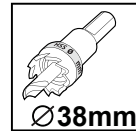
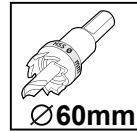
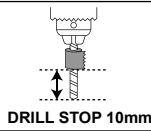
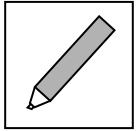
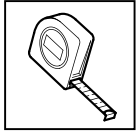


RHS SHOWN

- 2** If CMS rail is present, remove and retain CMS rail, hex head screws (A) and torx screw (B). If CMS rail is not present, remove torx screw (B) located at the rear of the tub. Retain the CMS bar and hardware for refit.



FRONT DRAIN TUBES - TUB DRILLING WITH TUBLINER

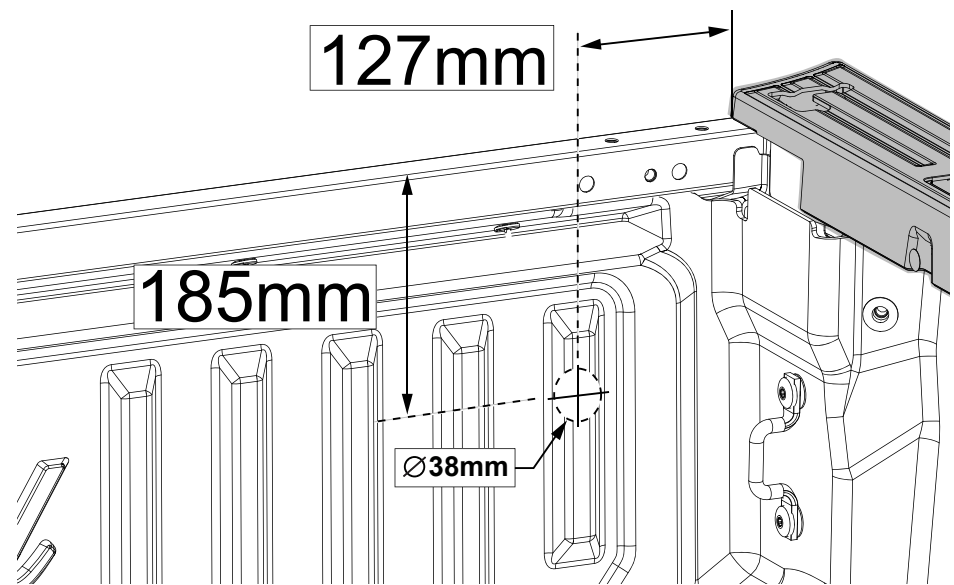
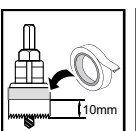
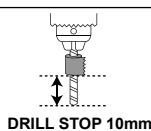
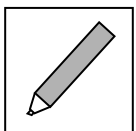
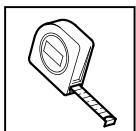


FRONT OF TUB - RHS

- 3** On the tub front panel, measure and mark up the positions for the front drain tubes. Centre punch the locations and drill 5.5mm pilot hole through the **tub and tubliner**. Using hole saw drill **60mm hole in the tubliner only**, use 10mm stop. With a **38mm hole saw**, drill hole in the **tub** following the pilot hole. Deburr both holes and apply rust inhibitor to the metal. Repeat for LHS.



FRONT DRAIN TUBES - TUB DRILLING (NO TUBLINER)



FRONT OF TUB - RHS

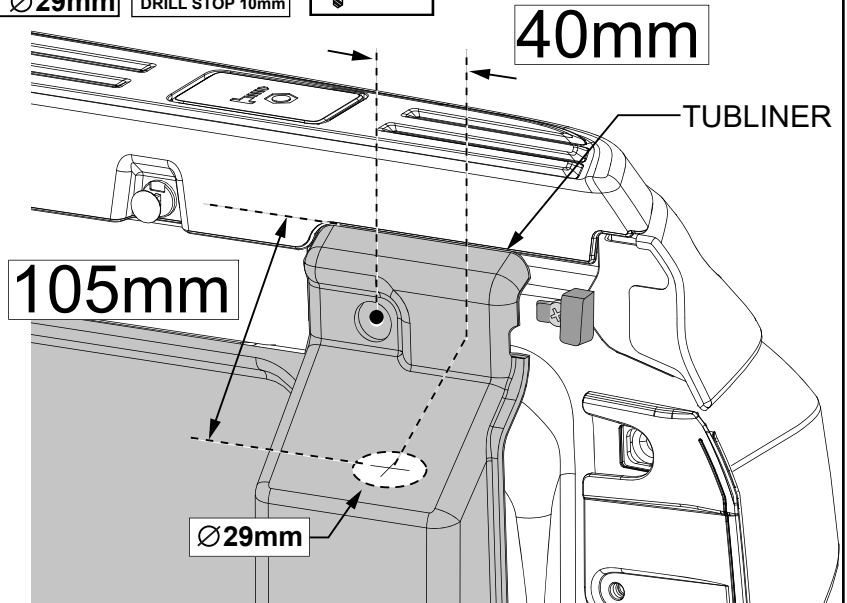
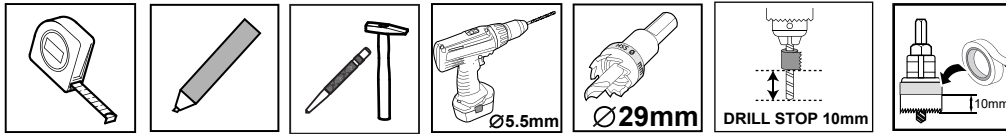
- 4** On the tub front panel, measure and mark up the positions for the front drain tubes. Centre punch the locations and drill 5.5mm pilot hole through the **tub**. Using hole saw drill **60mm hole in the tubliner only**, With a **38mm hole saw**, drill hole in the **tub** following the pilot hole use 10mm stop. Deburr both holes and apply rust inhibitor to the metal. Repeat for LHS.



EGR ROLLTRAC SPECIFIC DDK'S ARE AVAILABLE FROM YOUR DEALER.
 IF A DDK IS TO BE INSTALLED, IT SHOULD BE FITTED BEFORE INSTALLING EGR ROLLTRAC.
 NOTE THAT IF DDK IS TO BE INSTALLED, DRILLING AT REAR OF TUB IS NOT REQUIRED.



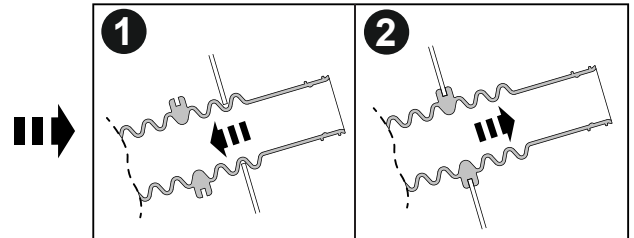
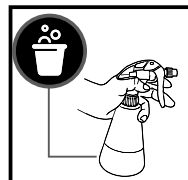
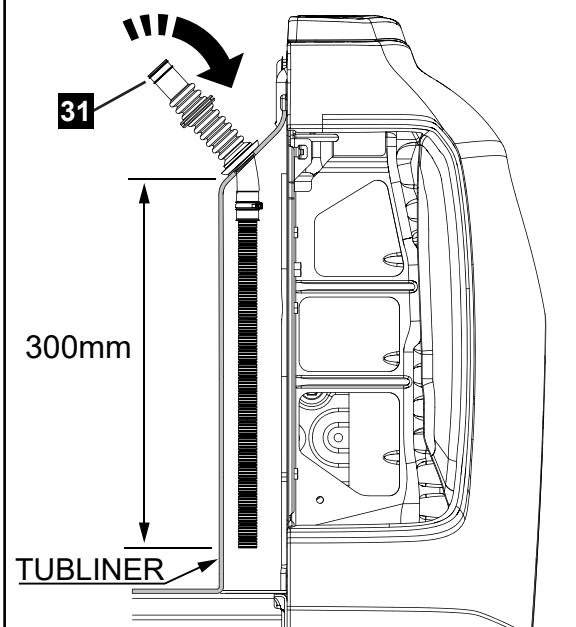
REAR DRAIN TUBES - TUBLINER FITTED (NO DDK)
STEP 5 & 6



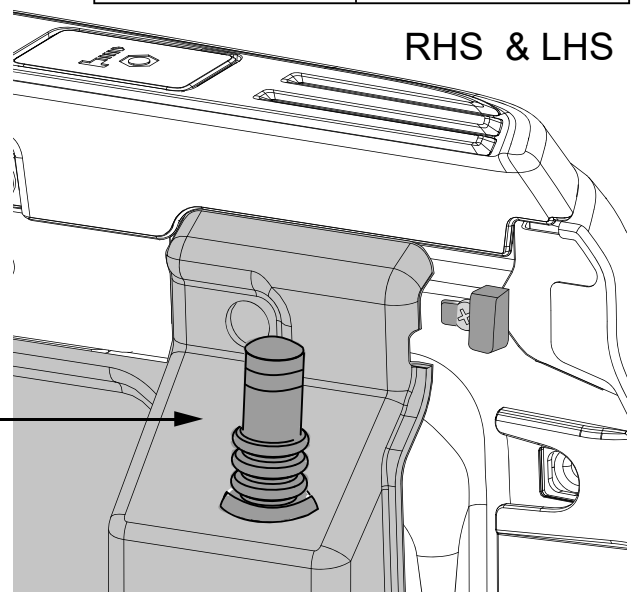
REAR OF TUB - RHS

- 5** On the tub rear panel, measure and mark up the positions for the rear drain tubes. Centre punch the locations and drill 5.5mm pilot hole through the **tubliner ONLY!** Using hole saw drill 29mm hole in the **tubliner**. Use 10mm stop. Repeat for LHS.

SECTION VIEW



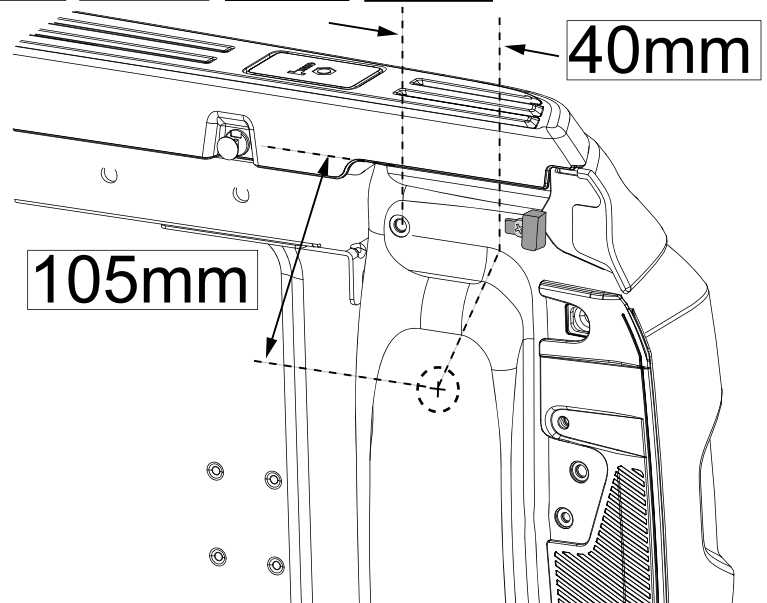
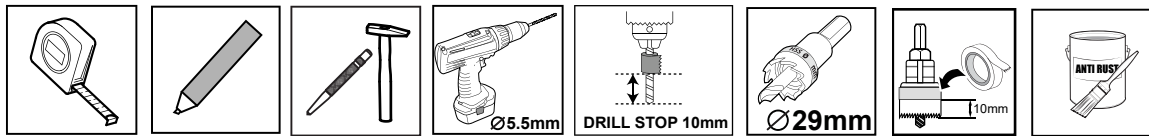
RHS & LHS



- 6** Trim the drain tube conduit as shown and fit from the outside of the tubliner in through the drilled hole. Spray tubes with soapy water to help with fitment. Repeat for LHS.

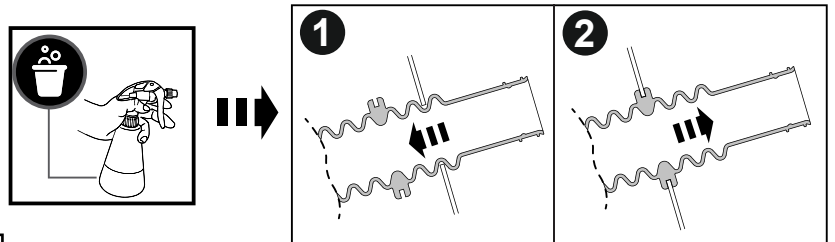


REAR DRAIN TUBES - TUB DRILLING (NO TUBLINER & NO DDK) STEP 7 & 8

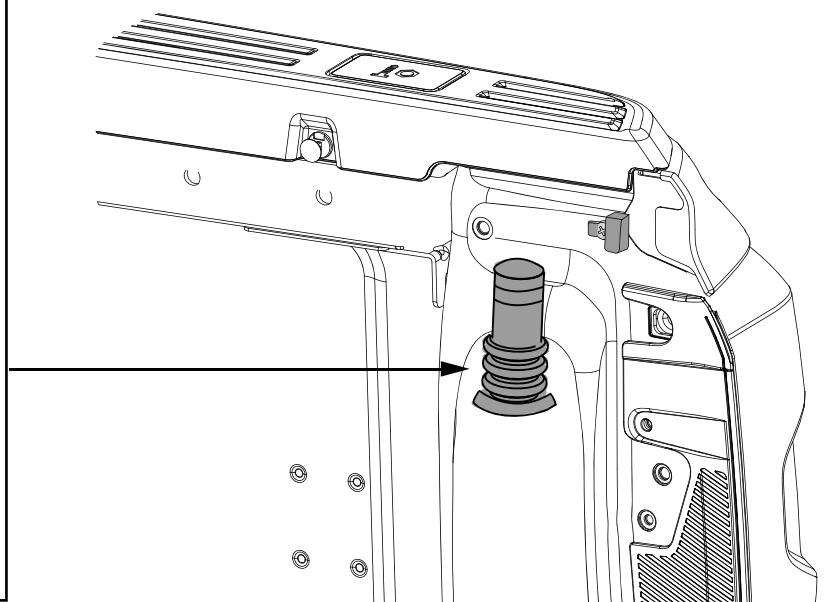
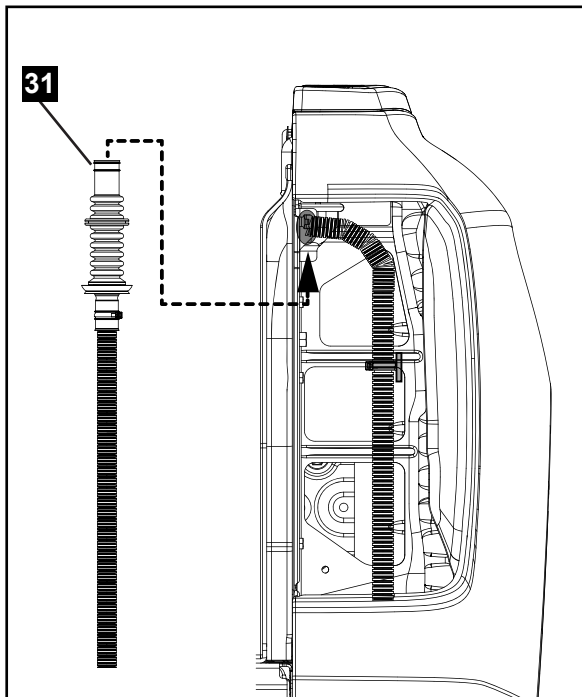


REAR OF TUB - RHS

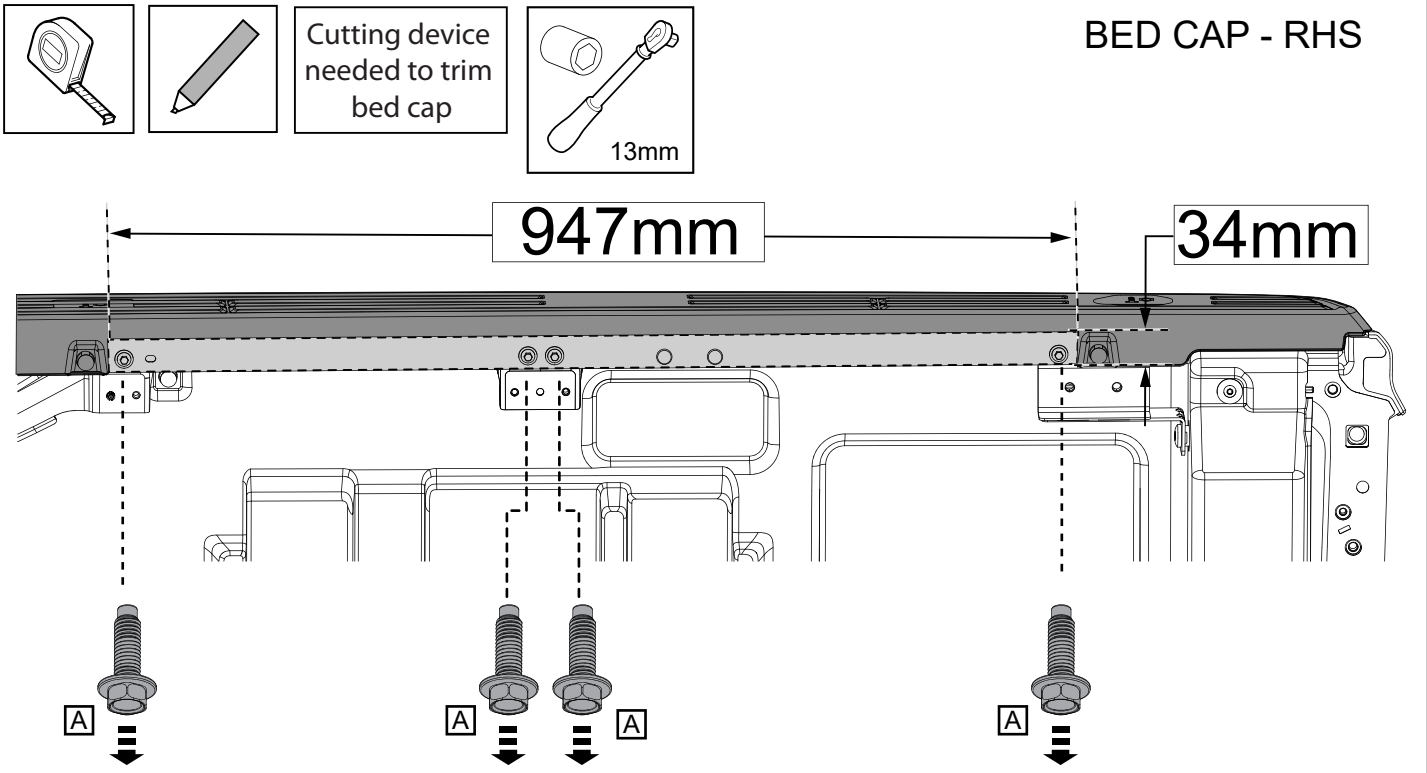
- 7** On the tub rear panel, measure and mark up the positions for the rear drain tubes. Centre punch the locations and drill 5.5mm pilot hole through the **tub**. Using hole saw drill 29mm hole in the **tub**. Use 10mm stop. Repeat for LHS.



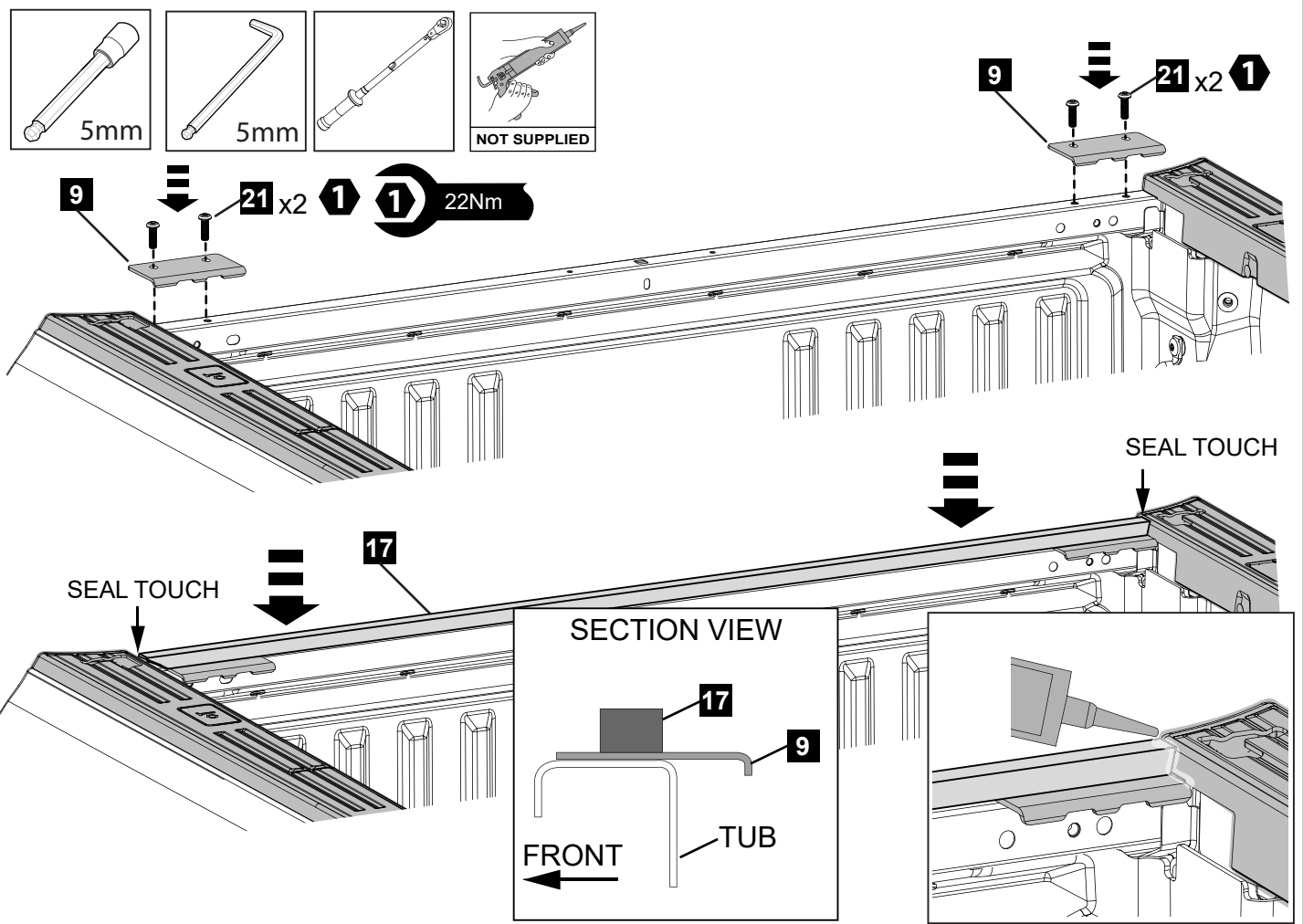
RHS & LHS



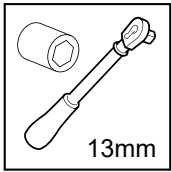
- 8** Fit the rear drain tubes from the inside of the tail lamp cavity up through the drilled hole. Spray tubes with soapy water to help with fitment. Repeat for LHS.



9 Inside the tub locate the RHS bed cap and cover the inside face with masking tape to allow marking with pen and avoid scratching during trimming. Mark the bed cap as shown above and trim the area using suitable tool. If CMS rail fitted, remove the 4 M6 screws as shown. Repeat for LHS.

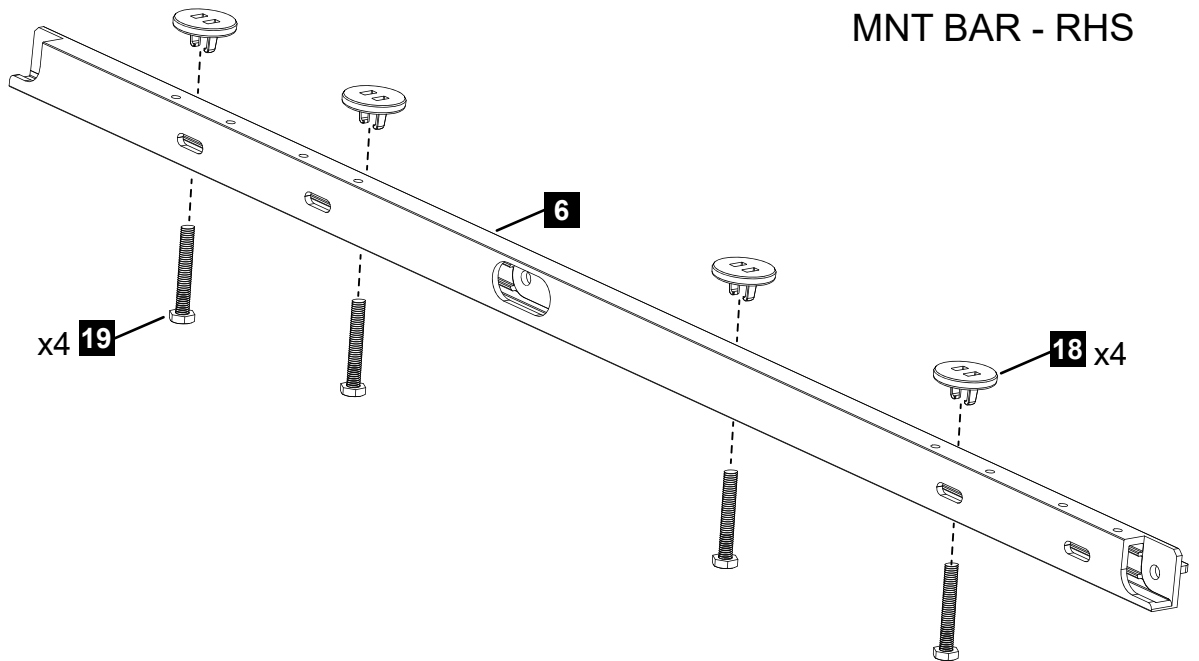


10 Fit the two h-bar corner brackets (9) to the top of the front of the tub and secure with two screws (21). Repeat for the LHS. Apply the front rail seal (17) along the top of the h-bar as shown and ensure ends touch the endcap. Apply Silicone in the gap between the rail seal, bracket and tub rail as shown. NOTE: Seal all holes in the tub as required.

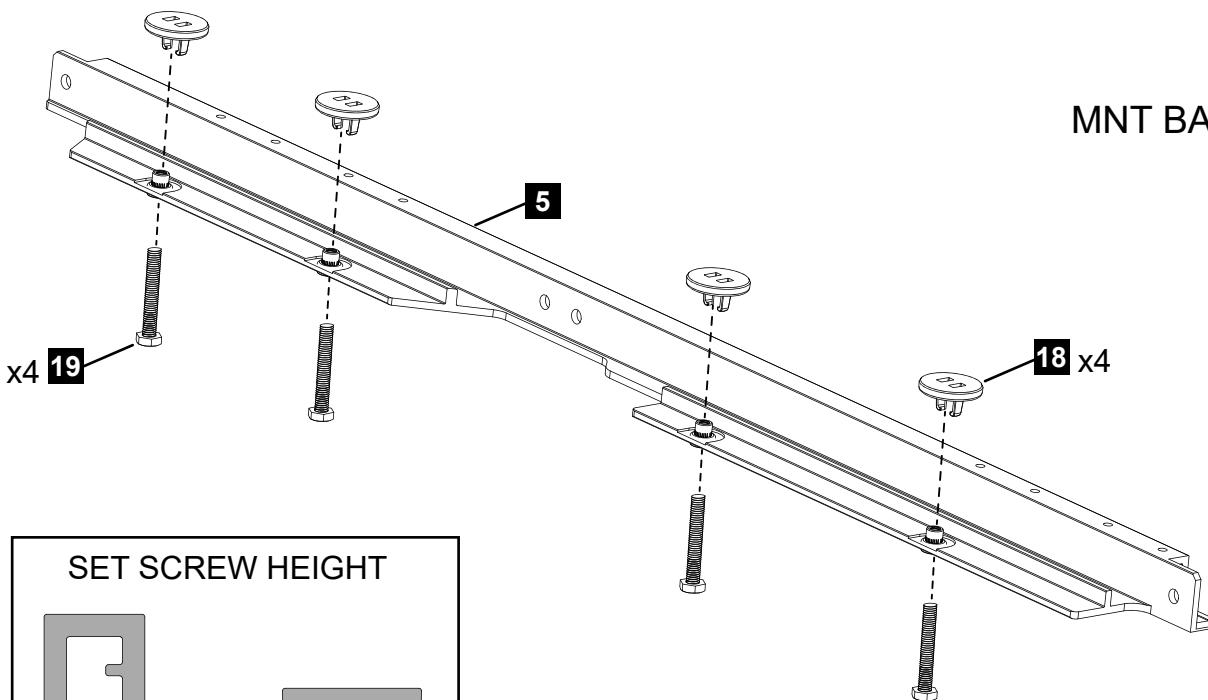


13mm

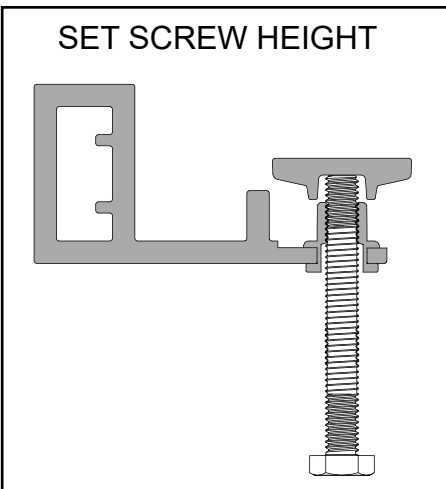
MNT BAR - RHS



MNT BAR - LHS

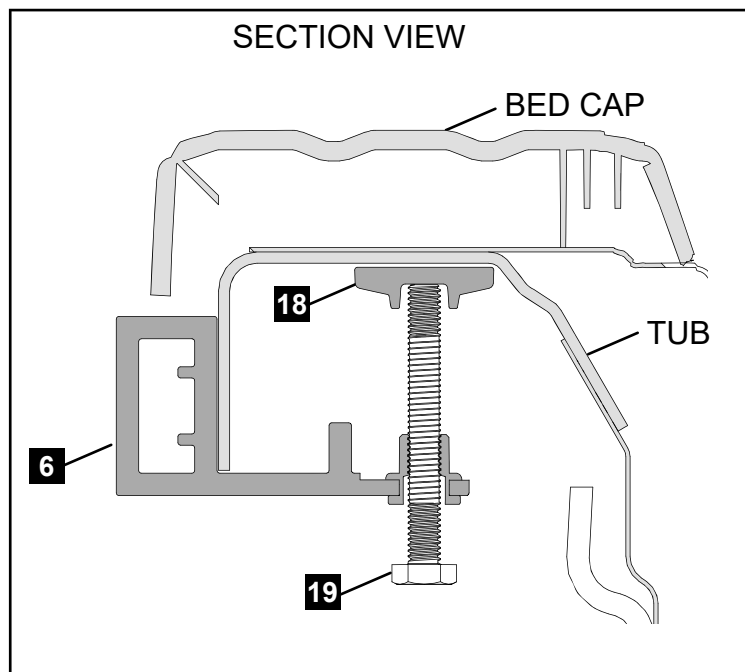
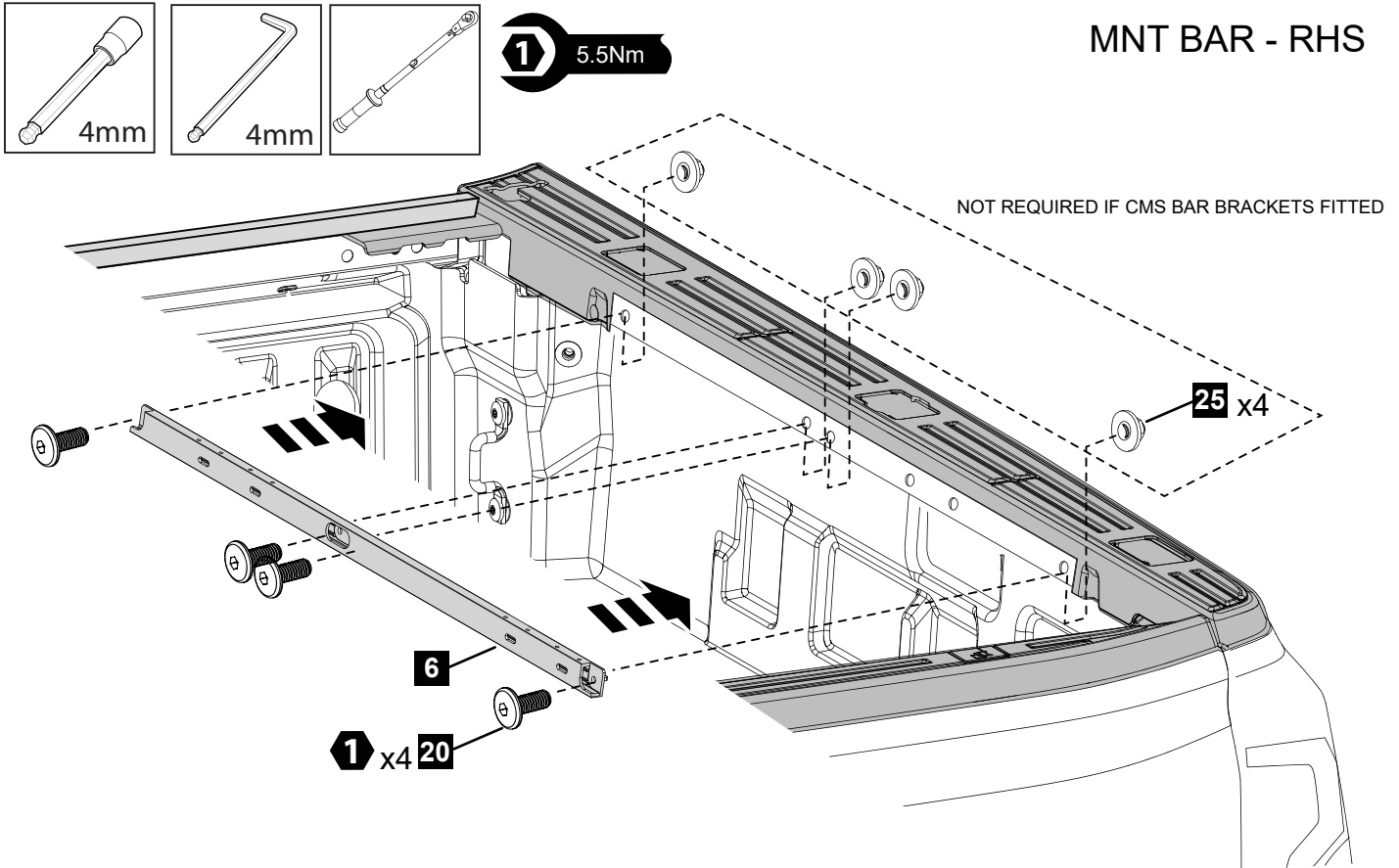


SET SCREW HEIGHT

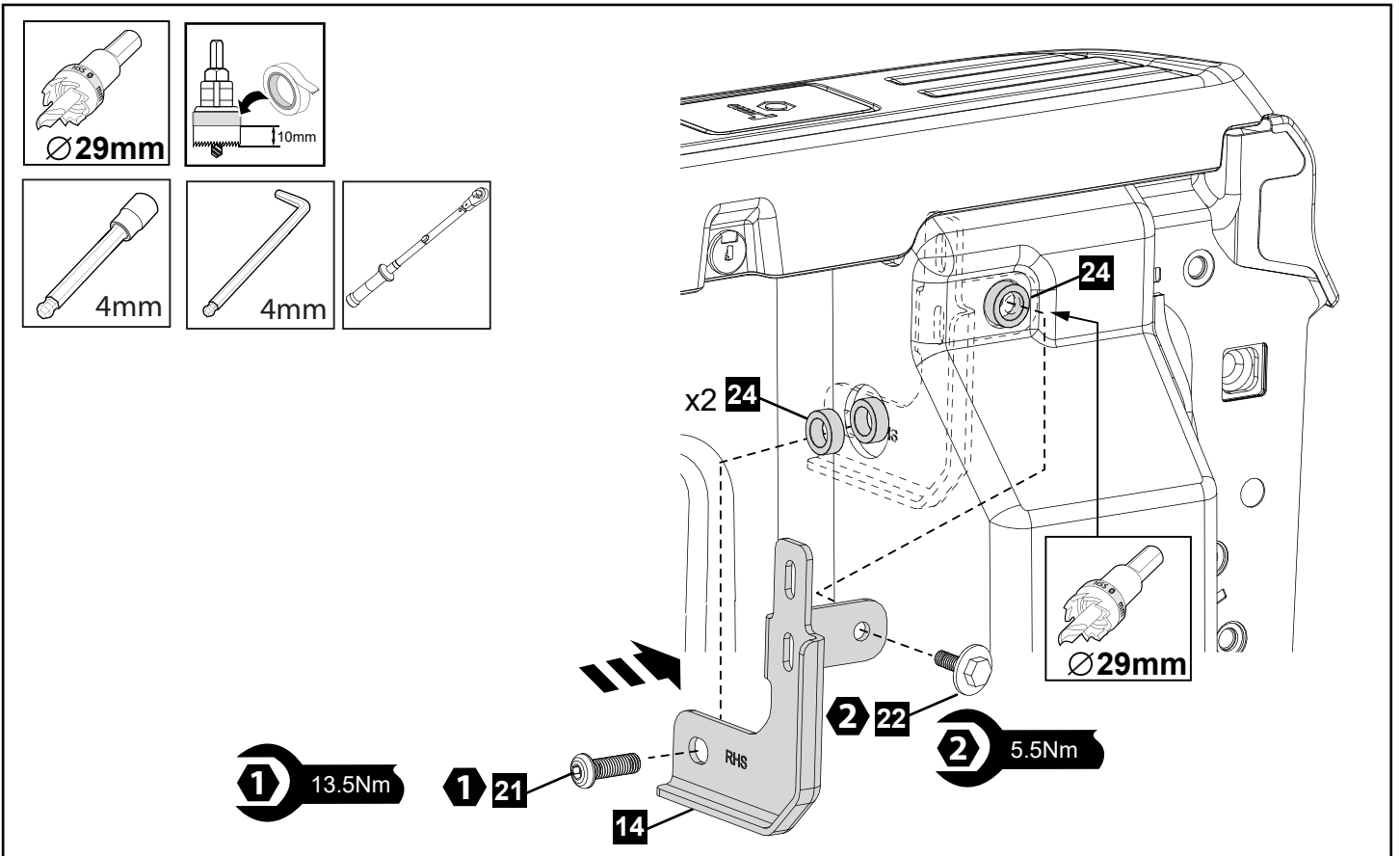


- 11** Fit the 4 screws (19) into the RHS mounting rail (6) and fit the end pads as shown. Set the screws height as shown in detail. Repeat for the LHS mounting rail.
NOTE: Screws will be adjusted in later stage once fitted to the tub.

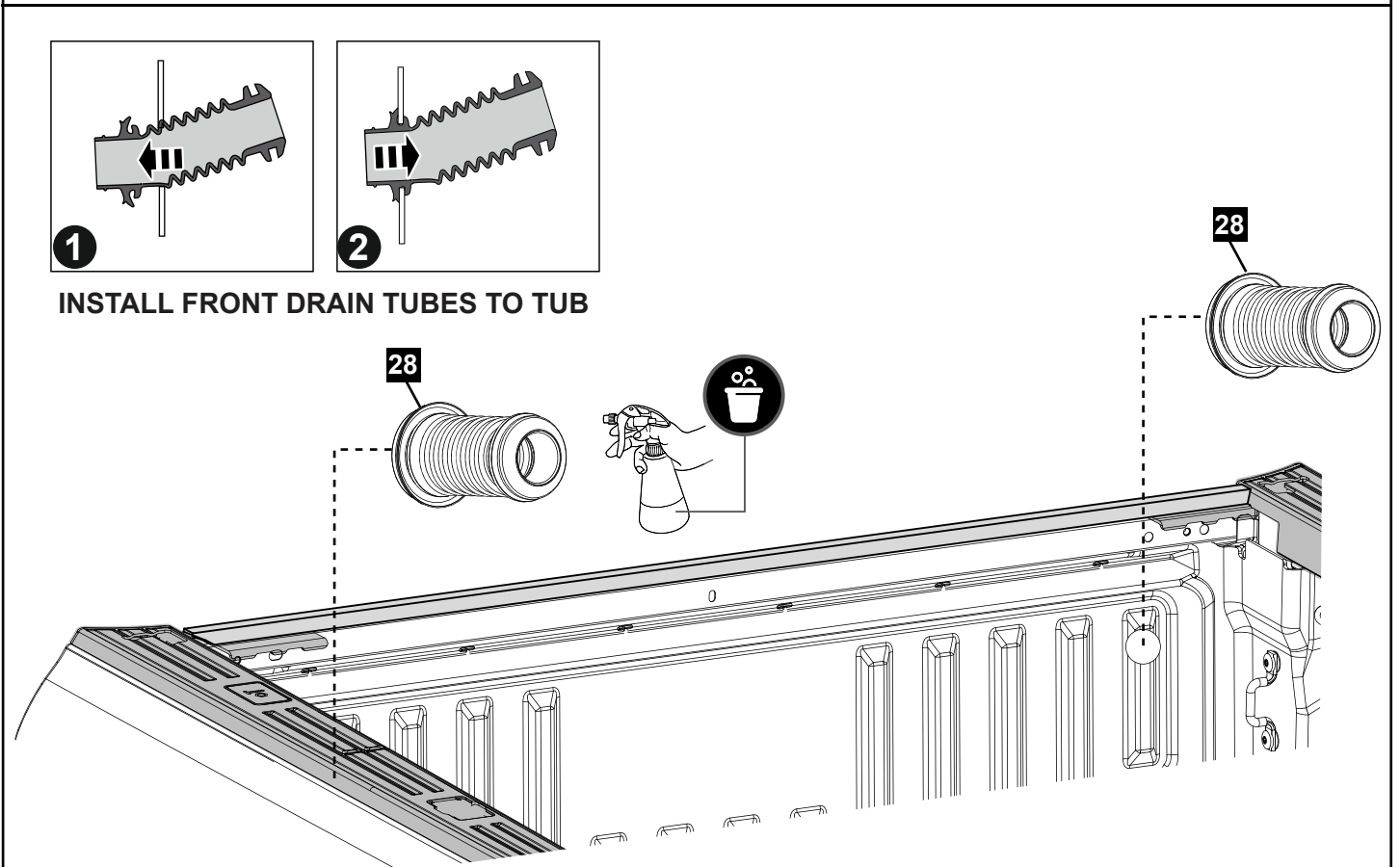
MNT BAR - RHS





- 12** Fit the RHS mounting bar to the tub as shown. Secure with 4 screws (20) and nuts (25). Torque to 5.5Nm.
NOTE: Level the bar by pushing it up till it contacts the tub (see section view).
Turn the screw (19) up until the cap (18) contacts the inner tub sheet metal (see section view). Do not overtighten.

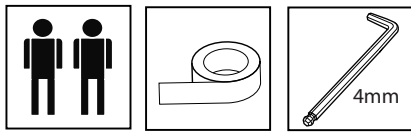


13 Fit the RHS rear mounting bracket to the tub and secure with 2 screws (21) and (22) as shown. Use 2x spacers (24) behind the bracket (screw (21) location) and 1x spacer (screw (22) location). Torque to 13.5Nm & 5.5Nm. Repeat for LHS.
 NOTE: Clearance hole may have to be drilled in the tubliner for the spacer (24).

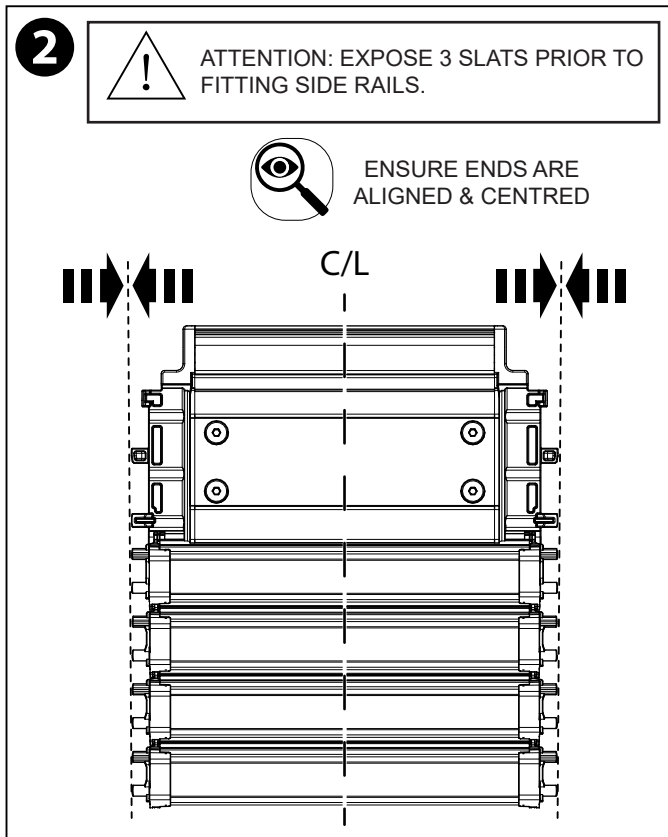
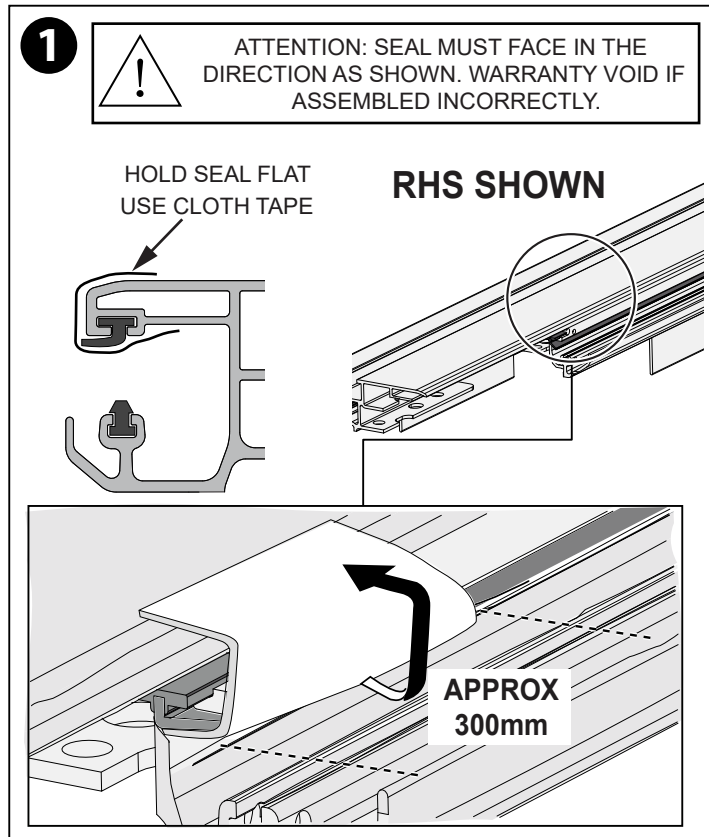
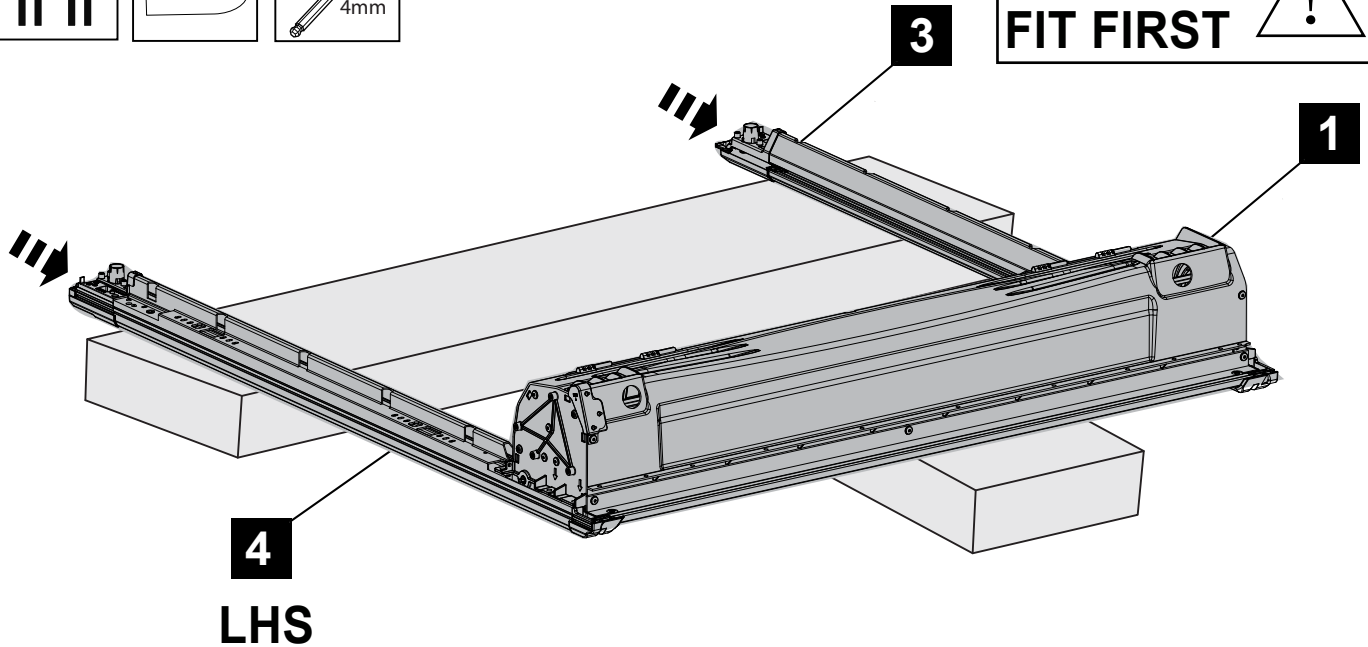


14 Connect the front drain tubes (8) to the tub. Make sure that both tubes engage over the wall of the tub. Leakage will occur if they are not properly installed.

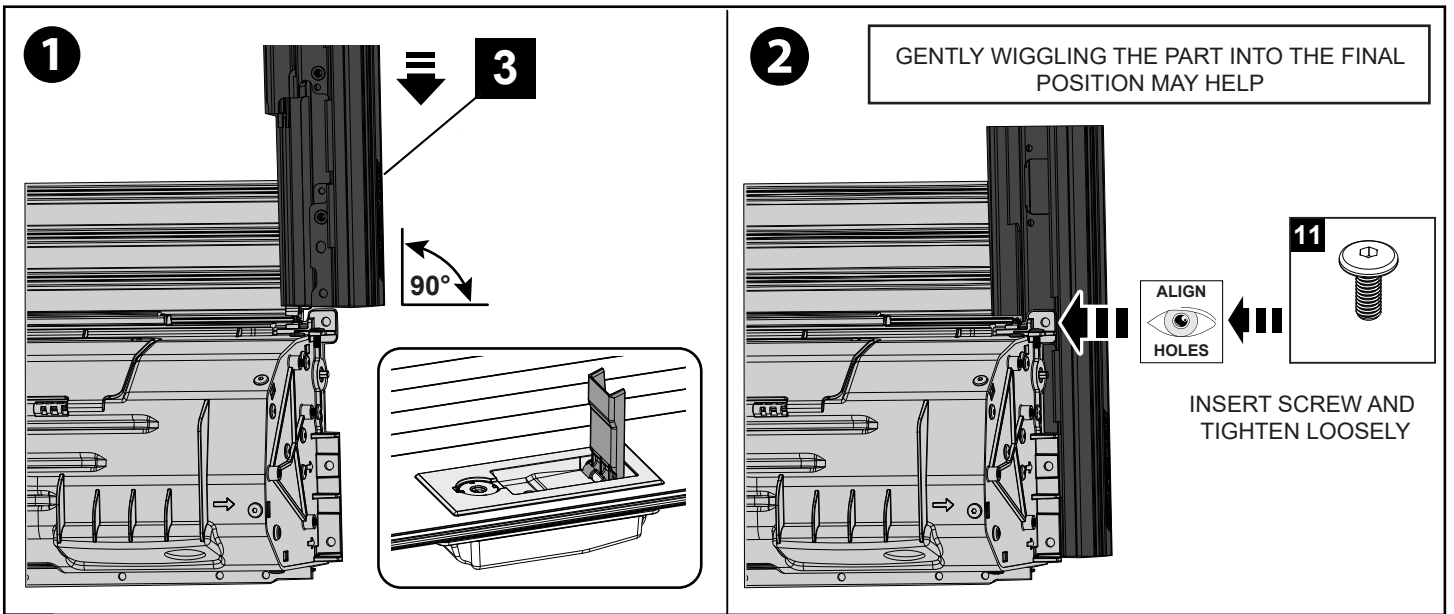

 DURING ASSEMBLY PROCEDURE SUPPORT AT CENTRE OF CANISTER ONLY, PLACE ON TOP AND BASE CARTON (OR SIMILAR), COVER WITH FOAM BLANKET. TO AVOID SCRATCHING POWDERCOATED SURFACES.
 



RHS FIT FIRST

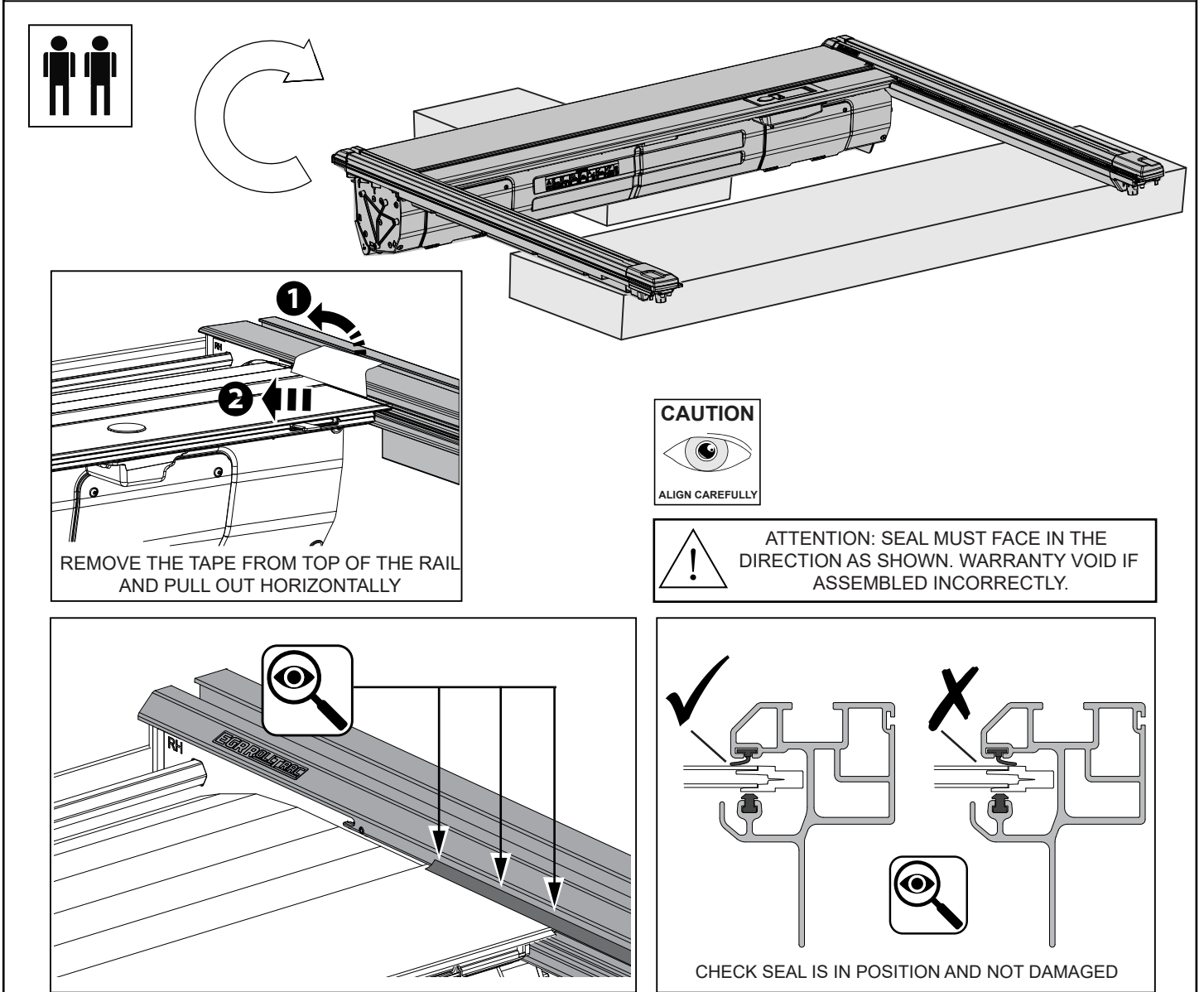



1 Place the canister (1) on two protected boxes as shown, ensure hand rail and slat ends are aligned. Tape up the seal on the Side Rail (3) as shown.
IMPORTANT: Carefully align and slide the rail over the handrail and canister endplate taking particular care to ensure that the siderails are slid straight and no undue force is applied to the rail. Details in following steps.

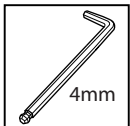


2 Pull hand rail to expose 3 slats. Fully open handle to retract brake pads. Slide the Rail over slat ends and onto endcap location pins. Align the holes and secure loosely with screws (11). Do not tighten. Repeat for LHS Rail (4).

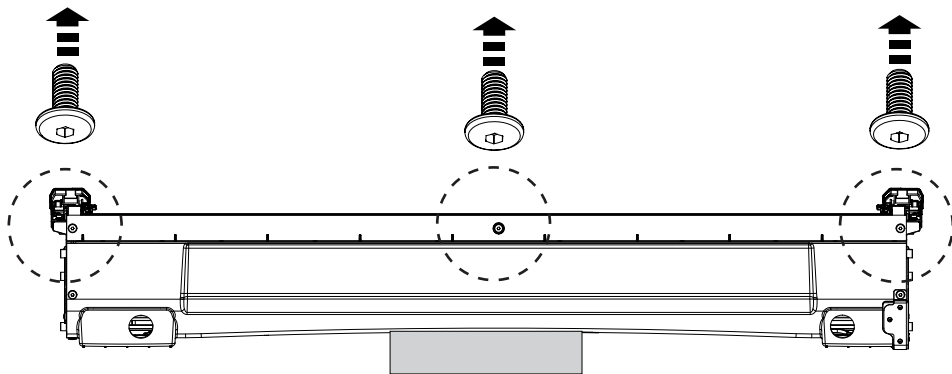
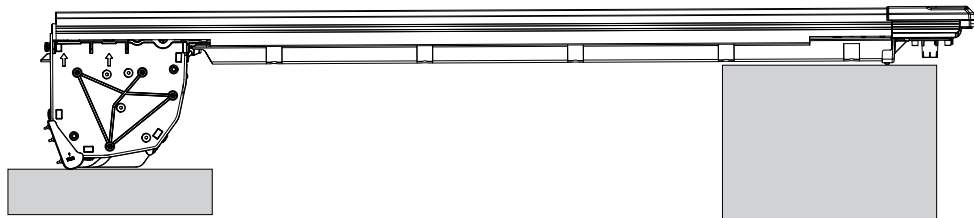
! DURING ASSEMBLY PROCEDURE SUPPORT AT CENTRE OF CANISTER ONLY, PLACE ON TOP AND BASE CARTON (OR SIMILAR), COVER WITH FOAM BLANKET. TO AVOID SCRATCHING POWDERCOATED SURFACES. !



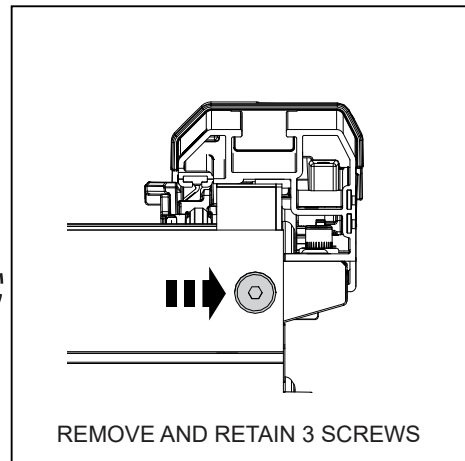
3 Carefully lay the assembly over onto a protected surface. Remove the tape holding the rubber seal and check the seal position as shown.



SIDE VIEW

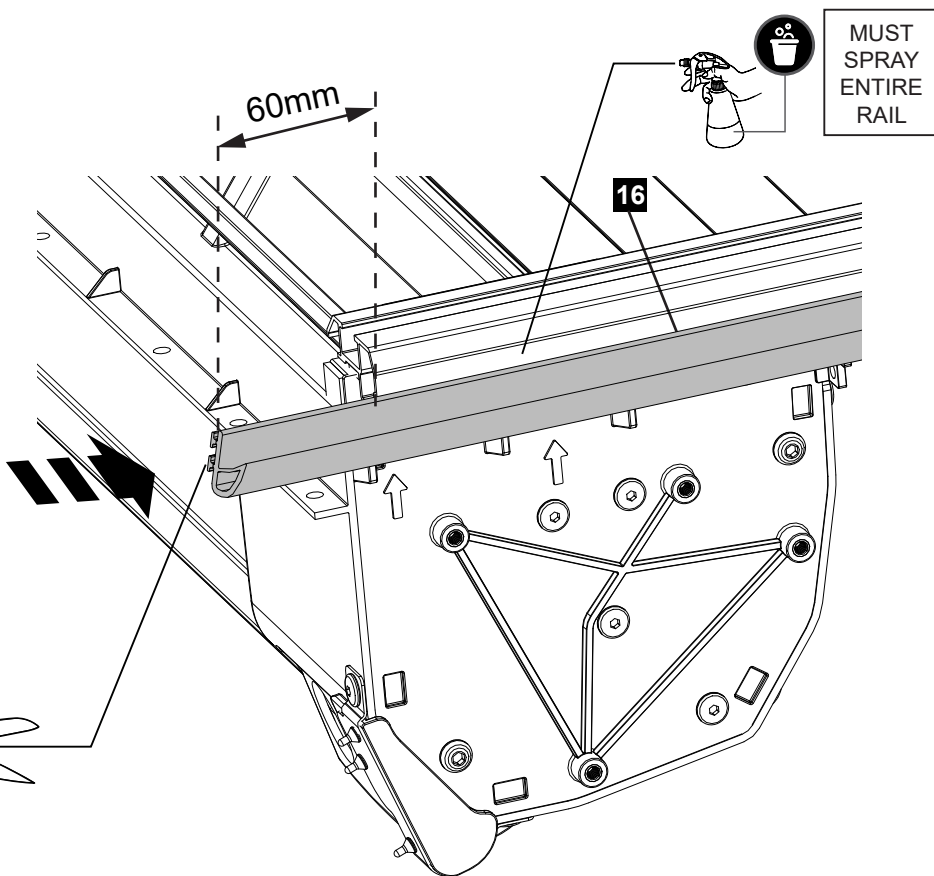
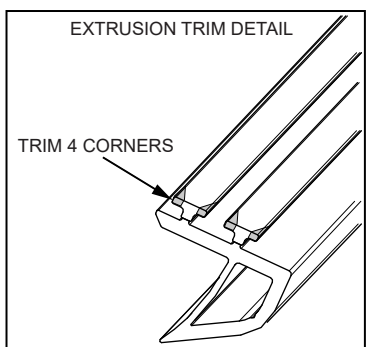
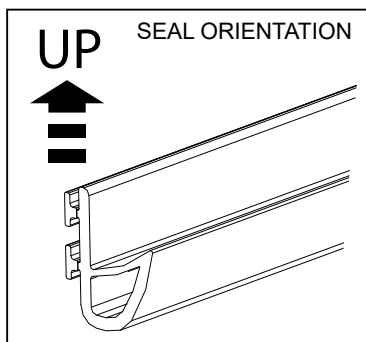


REAR VIEW

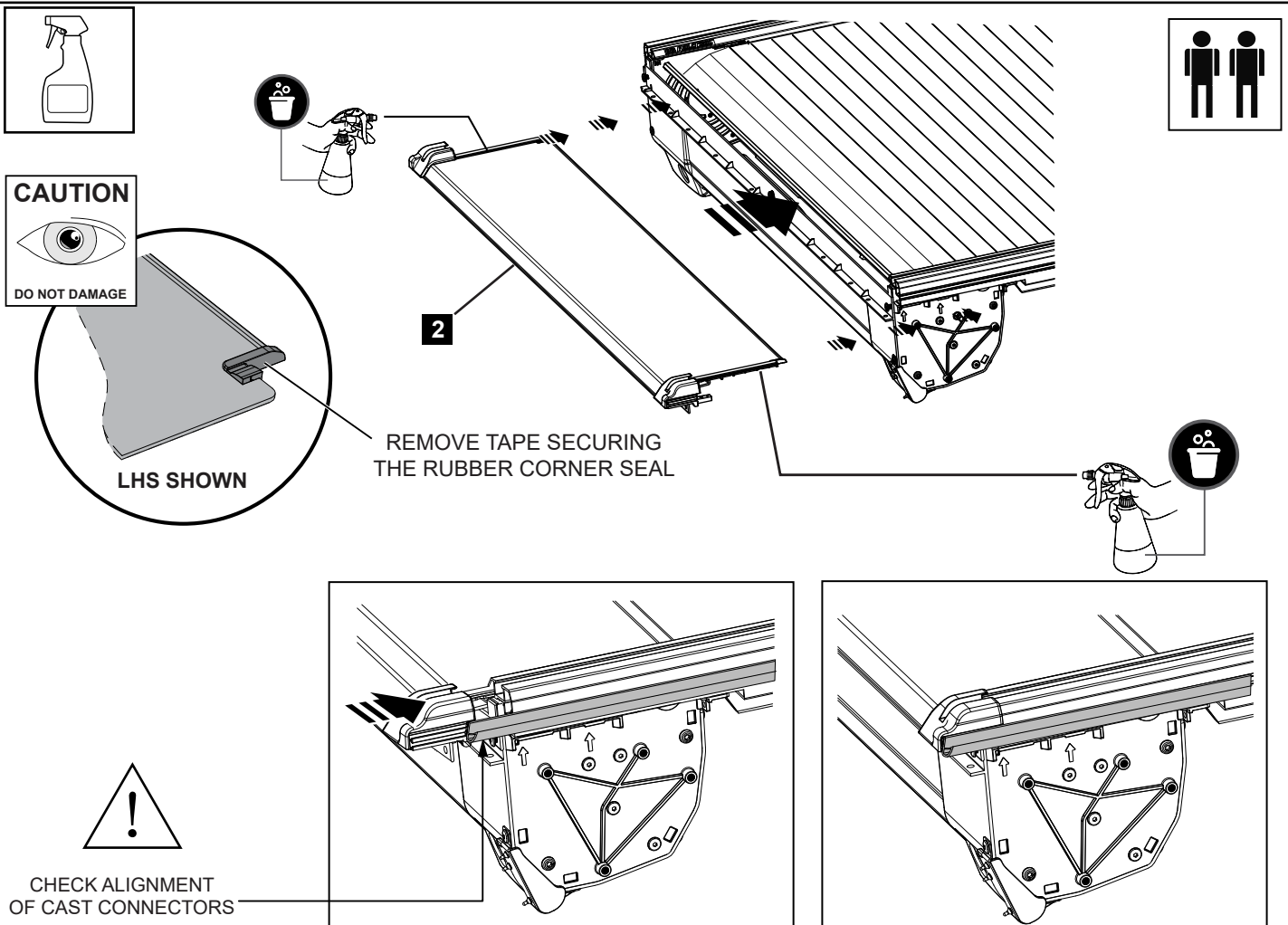


REMOVE AND RETAIN 3 SCREWS

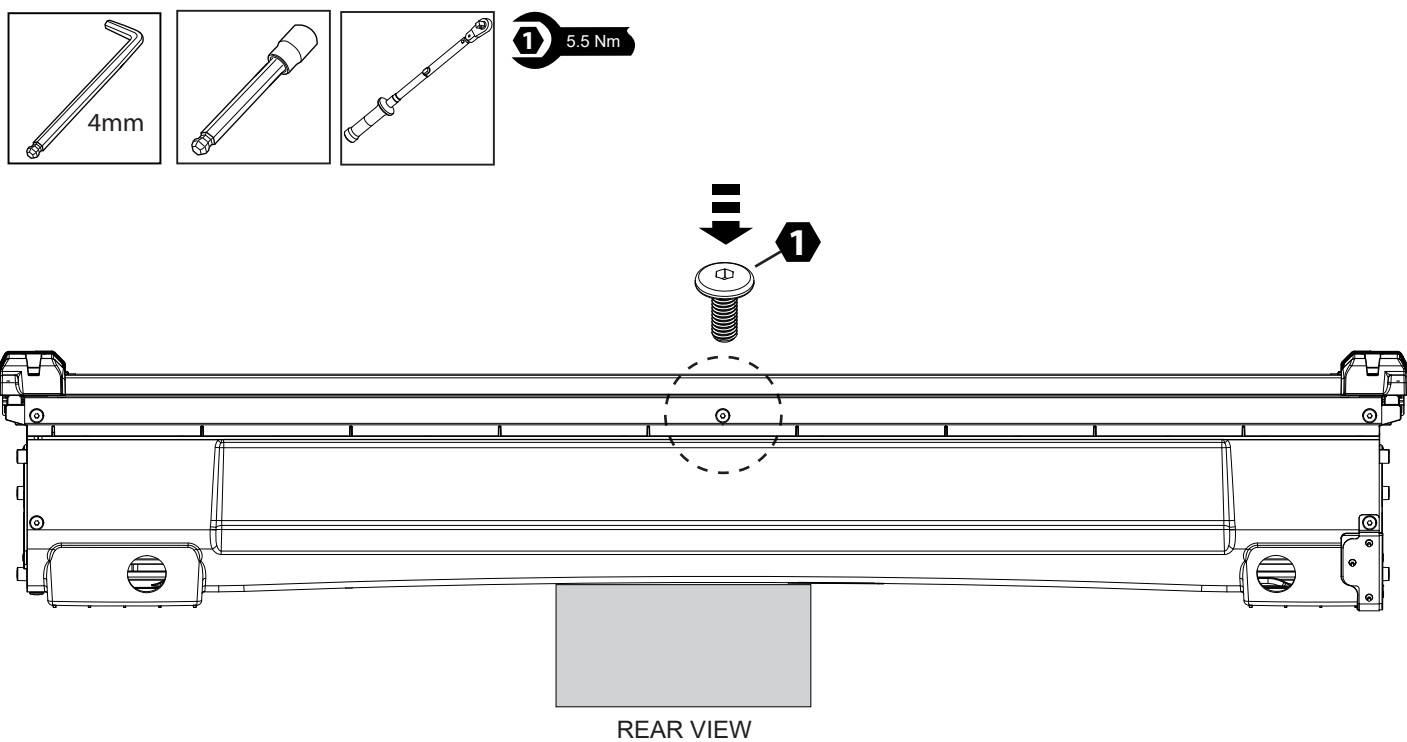
- 4** Remove and retain the 3 pre-fitted screws from the rear of the cover which are used to secure the Front Cover (2) to the assembly. Ensure the product is not scratched or damaged when laying flat.



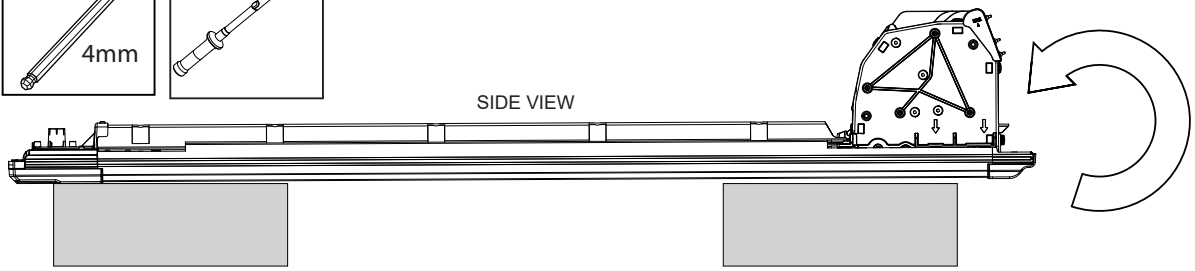
- 5** Spray the **ENTIRE Side Rail and Seal with soapy water**. Slide the side rail seal (16) into the side rail from the front rearwards and trim as illustrated. NOTE: Trim seal backing to aid assembly, see detail.



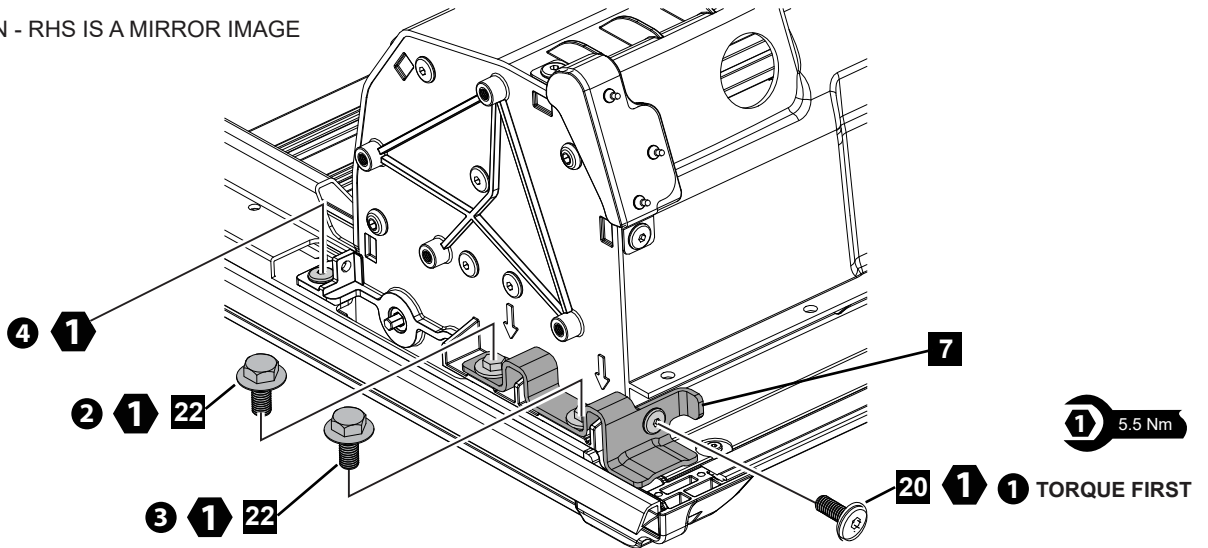
6 Slide the Front Cover (2) over the canister and into the side rail channels.
IMPORTANT: Spray the front cover edge with soapy water to allow it to slide easily into the sides, twisting side rails outwards will also help. You may need to adjust the casting position of the Front Cover (2) to ensure Seals insert smoothly.



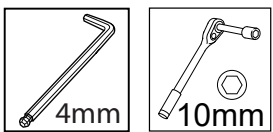
7 Using one screw removed in Step 4, secure the Front Cover (2) to the Canister Assembly (1) as shown and torque to 5.5 Nm.



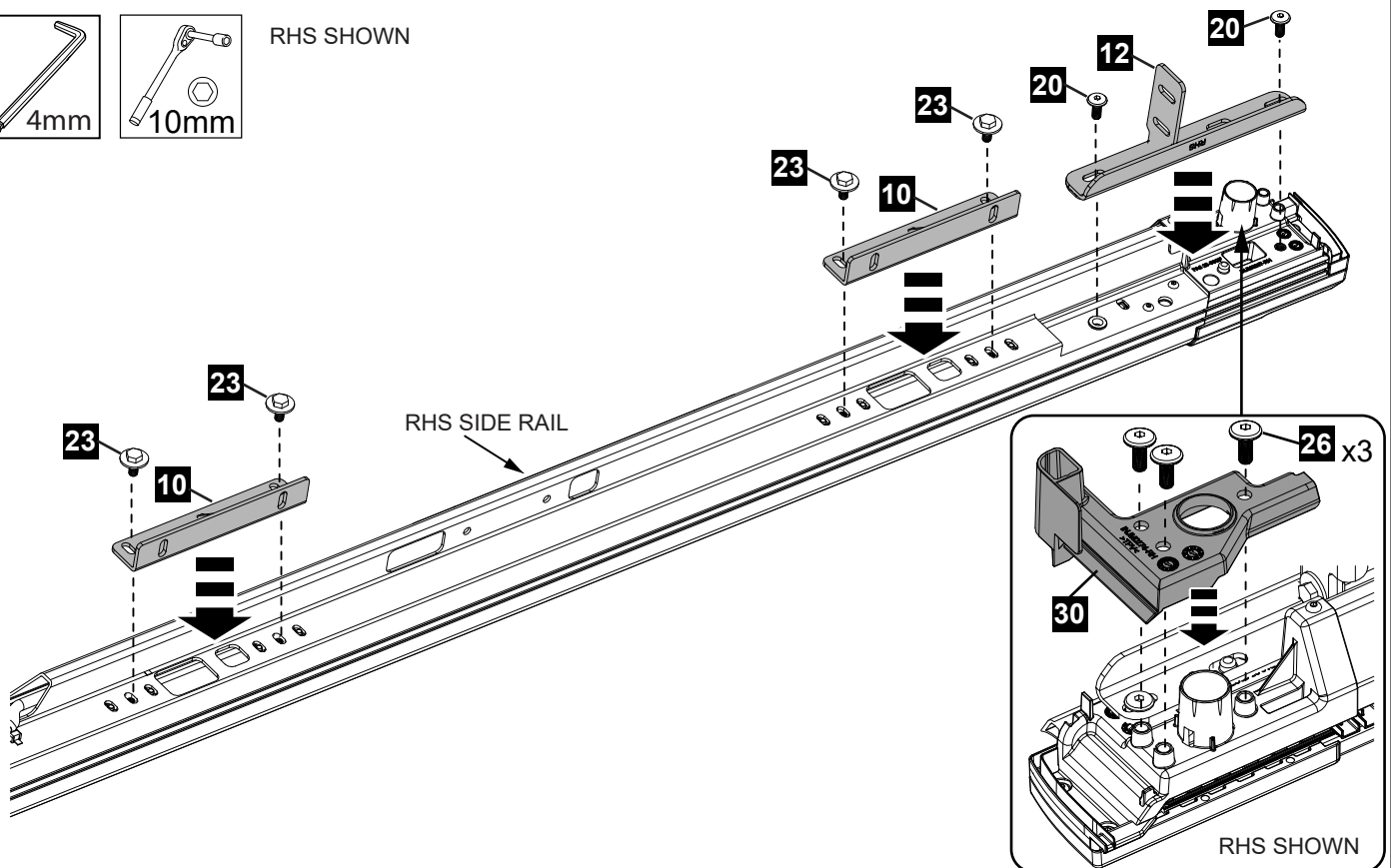
LHS SHOWN - RHS IS A MIRROR IMAGE



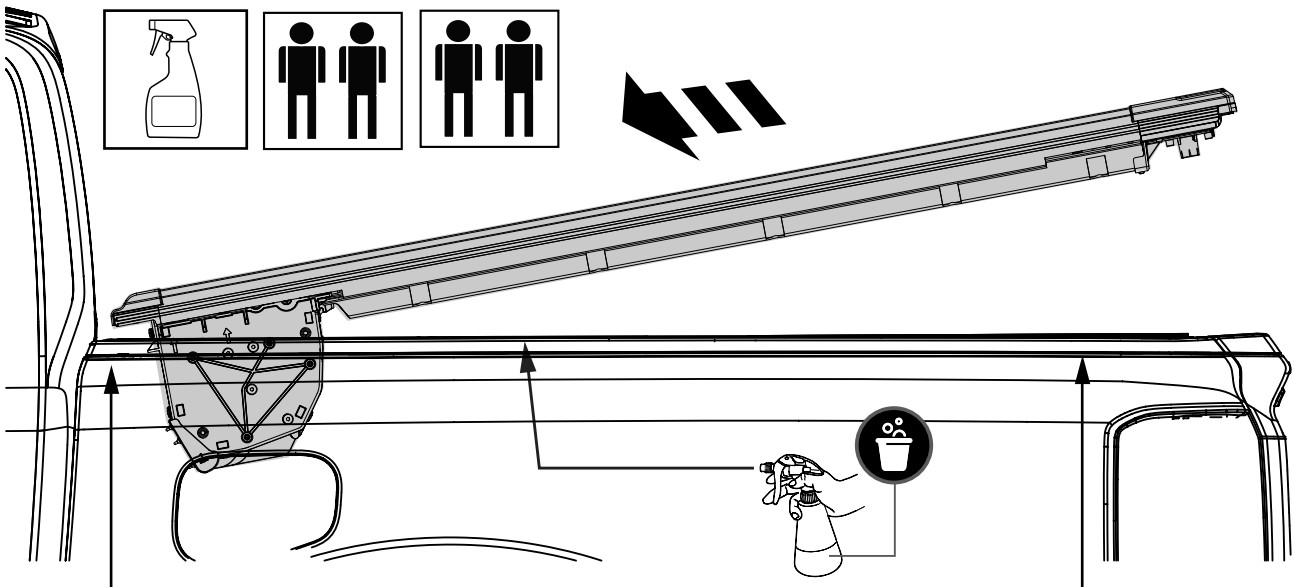
8 Carefully flip the assembly over onto a flat protected surface which will not damage the cover or scratch the paint work. Place the front mounting bracket (7) over the LHS base rail as shown and secure with 2x screws (22) and 1x screw (20) at the front of the Mounting Bracket (7). Torque to 5.5Nm in sequence shown. Repeat for RHS.



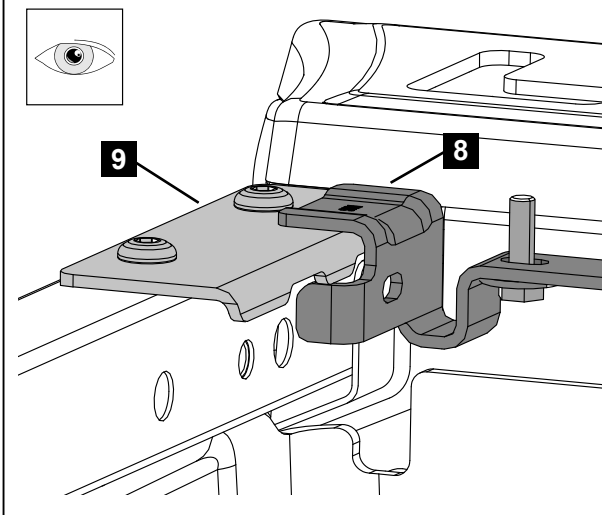
RHS SHOWN



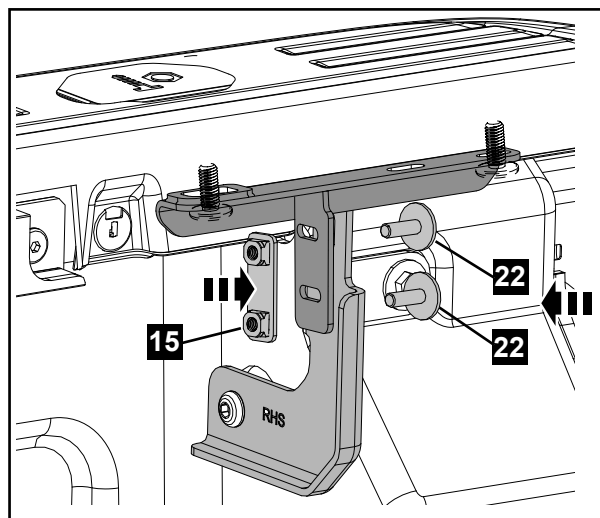
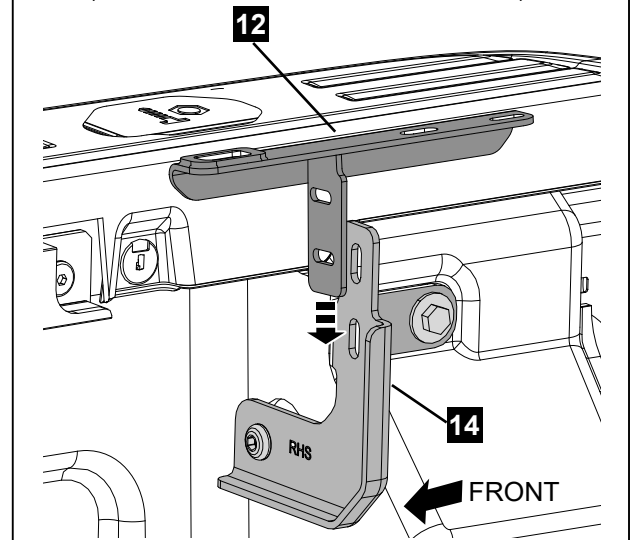
9 Install the Rear Mounting Bracket (12) to the RHS Side Rails using 2x screws (20) – tighten loosely at this stage. Install two mounting brackets (10) as shown and secure with screws (23), do not tighten yet. Repeat for LHS. Fit the RHS water duct (30) over the bottom of the RHS endcap and secure with 3 screws (26) as shown. **Important:** Hand torque screws (26) until fully seated (contact water duct surface). Repeat for LHS.



FRONT H-BAR CORNER BRACKET ENGAGEMENT WITH FRONT MOUNTING BRACKET - DETAIL VIEW (ROLLTRAC NOT SHOWN FOR CLARITY)



REAR MOUNTING BRACKET ENGAGEMENT WITH REAR SUPPORT BRACKET - DETAIL VIEW (ROLLTRAC NOT SHOWN FOR CLARITY)

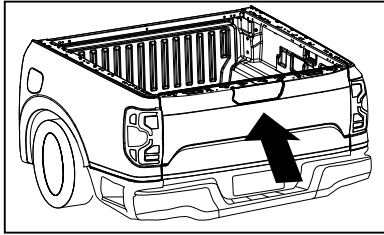
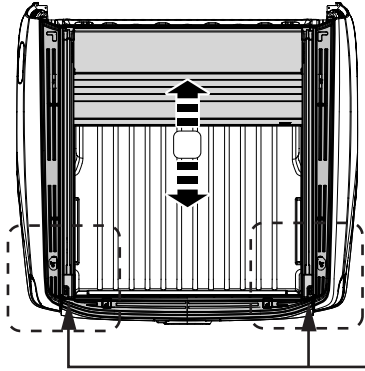


1 Spray the side rails seals with a soapy water solution to enable the Rolltrac to slide easily. Using two people on either side and one (or two) in the centre (to support and guide canister weight) place the cover carefully onto the header bar at front, as shown in detail.

Note: Present RollTrac from a low height (max 50mm above side rails) to avoid damage to product.

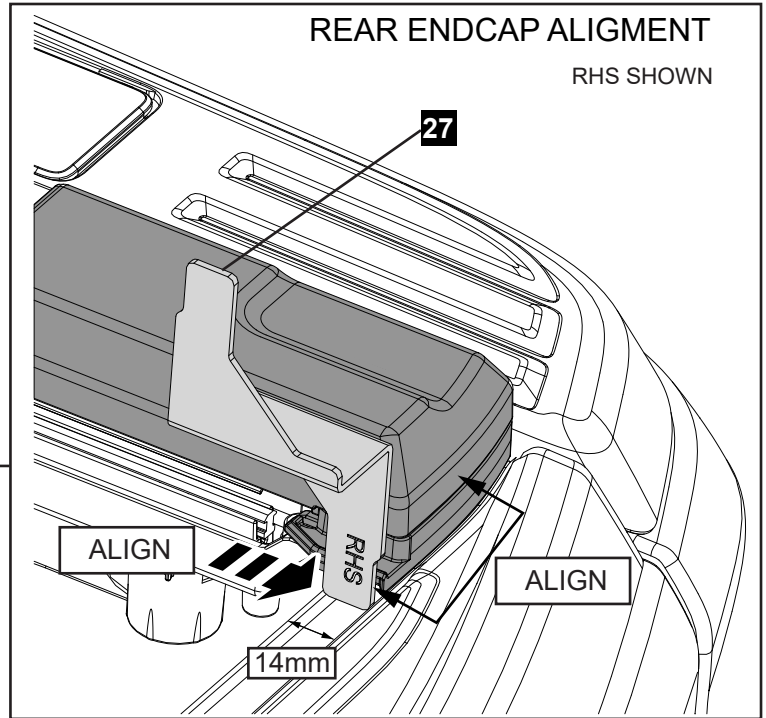
Note: The front mounting brackets (7&8) must engage with the header bar corner bracket (9) as shown in detail. Join the two rear brackets (12&14) using the nut plate (15) and two screws (22). Do not torque at this stage.

FRONT / REAR ADJUSTMENT



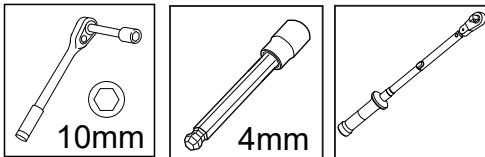
REAR ENDCAP ALIGNMENT

RHS SHOWN

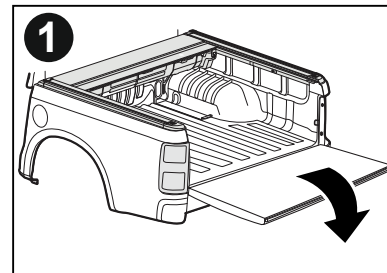


- 2** Lift the side rails to avoid damage to the rubber seals and carefully close the tailgate. Using the setup jig (27) adjust the Rolltrac rearwards position. Place the jig on top of the tailgate as shown and move the Rolltrac to align the rear of the endcap with the setup jig as shown, target offset is 14mm. Repeat for LHS.

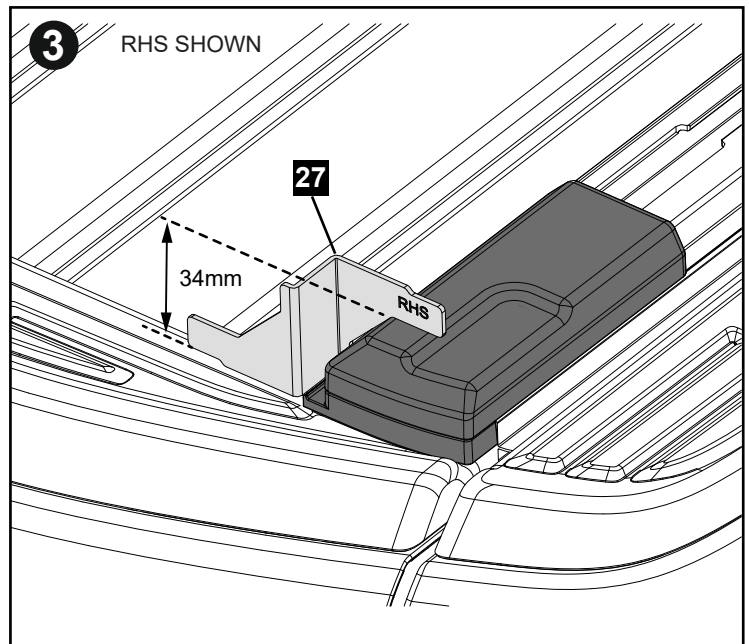
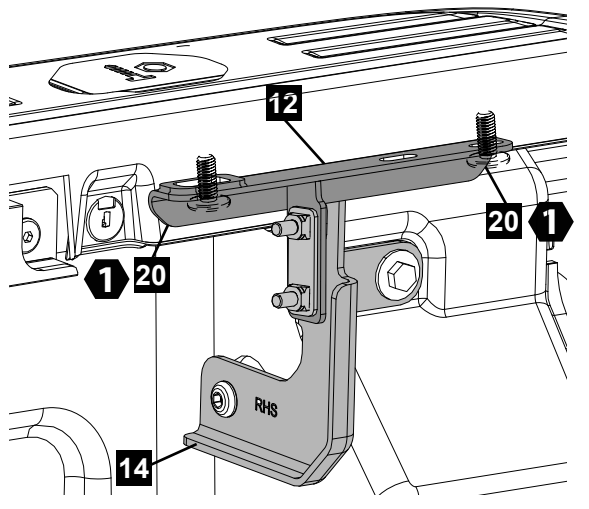
HEIGHT ADJUSTMENT



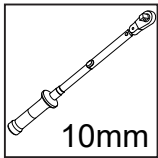
1 5.5 Nm



- 2** REAR MOUNTING BRACKET ENGAGEMENT WITH REAR SUPPORT BRACKET - DETAIL VIEW (ROLLTRAC NOT SHOWN FOR CLARITY)



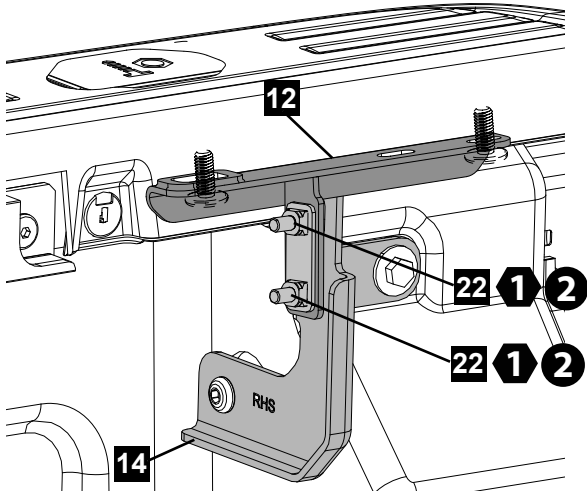
- 3** Open the tailgate carefully not to move the Rolltrac. Torque the top (20) screws securing the bracket (12) to the side rail to 5.5Nm. Lift the side rails to avoid damage to the rubber seals and carefully close the tailgate. Place the setup jig (27) on top of the tailgate as shown and move the Rolltrac up or down till the endcap touches the jig (27), (target offset is 34mm).



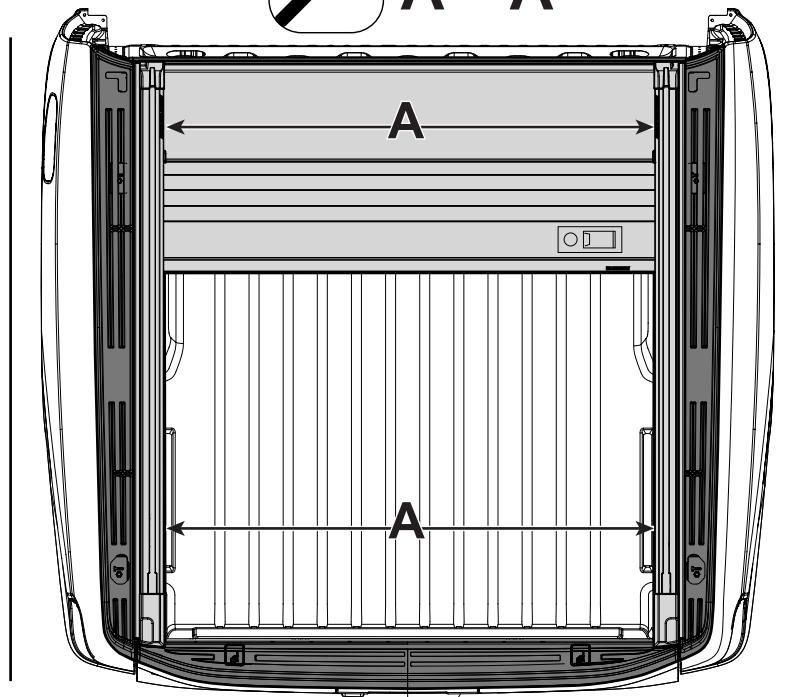
1 5.5 Nm



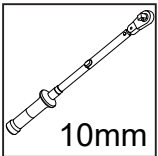
REAR MOUNTING BRACKET ENGAGEMENT WITH REAR SUPPORT BRACKET - DETAIL VIEW (ROLLTRAC NOT SHOWN FOR CLARITY)



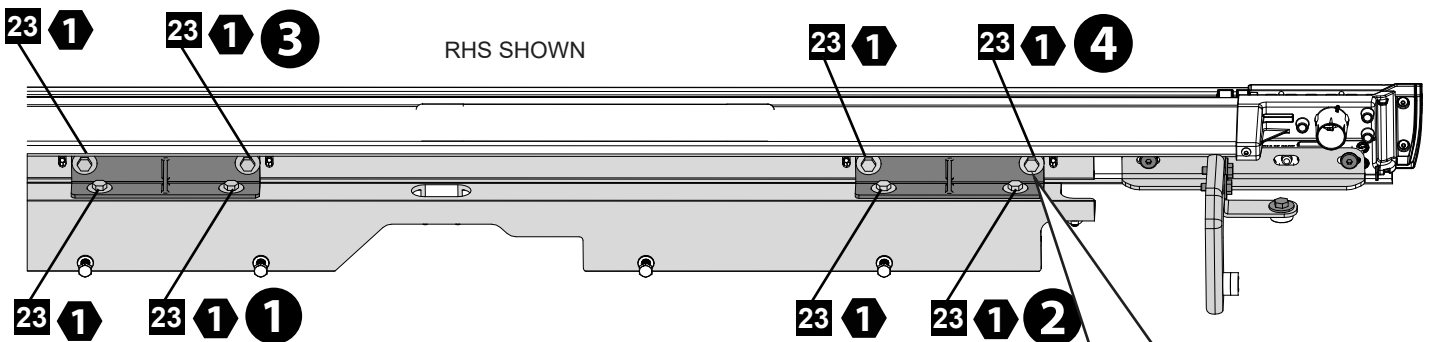
RHS SHOWN



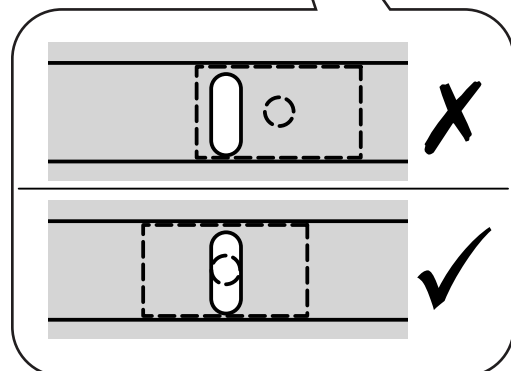
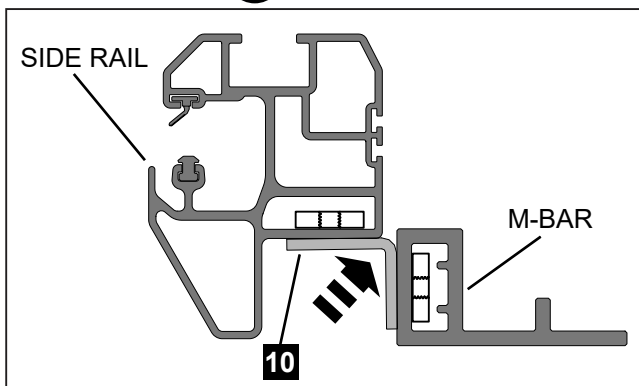
4 Next, on LHS torque the screws (22) joining the two brackets to 5.5Nm. Before applying torque to the opposite side, check the side rail width (A) at the front and adjust the rear to the same value. While holding the siderail in place, torque the screws on RHS.



1 5.5 Nm



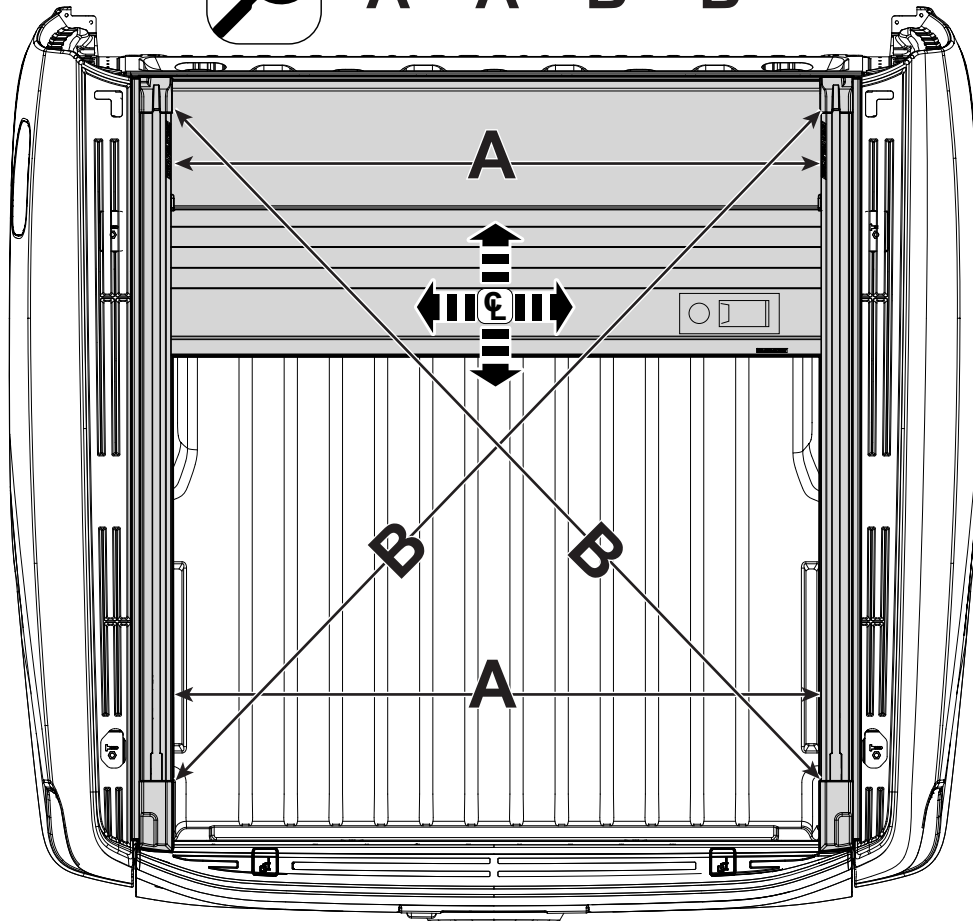
RHS SHOWN



5 Push brackets (10) into position against mounting bar and side rail as shown in detail. Align taped plates (inside the M-BAR) with holes in brackets using a scribe or small screwdriver. Install and torque all screws to the specified settings in the order shown. Repeat for LHS.

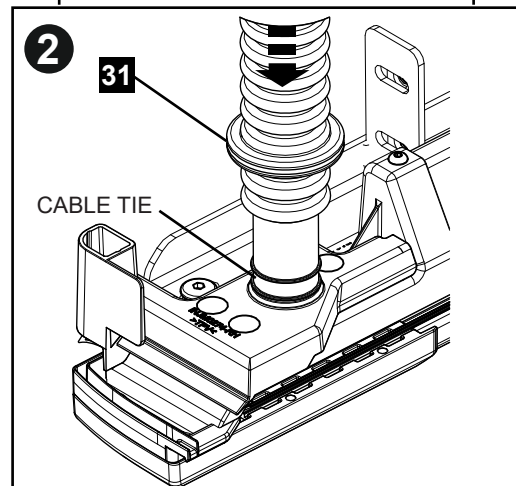
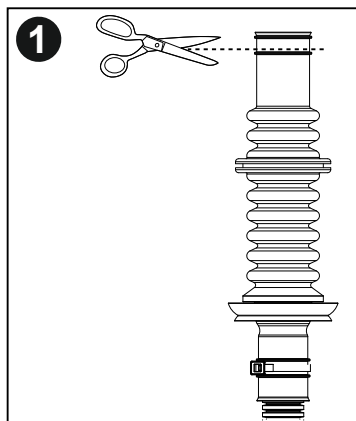
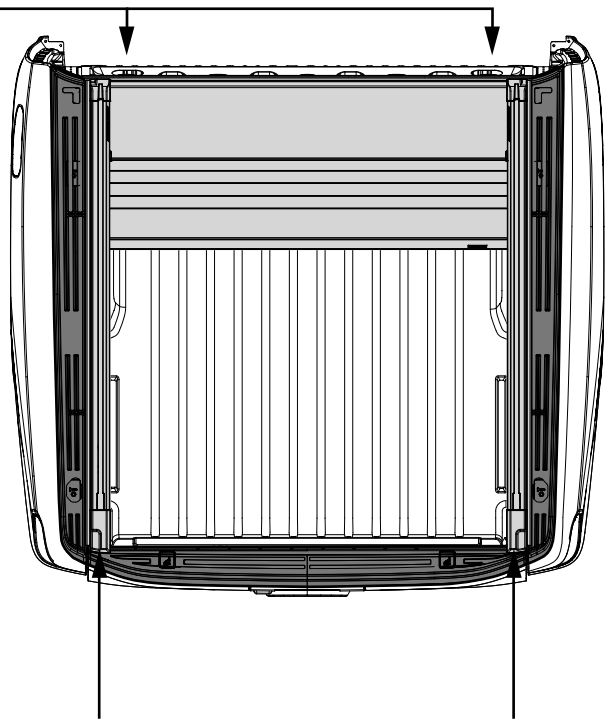
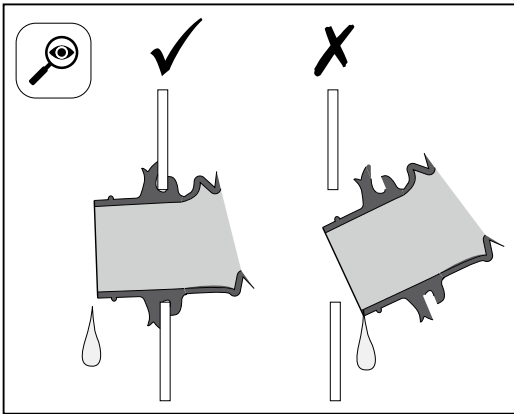


A = A B = B

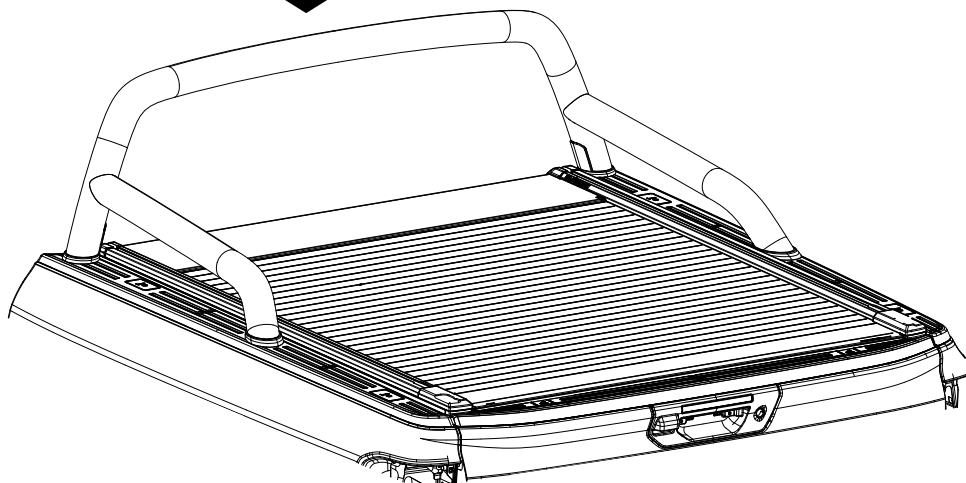


PERFORM FITMENT CHECK

- 6** Perform width and diagonal fitment check (bolts may need loosening for adjustment). Open and close the cover by hand, checking for smooth operation and consistent 1.5-2.0mm side to side free-play of slat assembly within side rails. If there are any tight spots, then re-adjust side rail width as described in previous steps. Remove the setup brace.



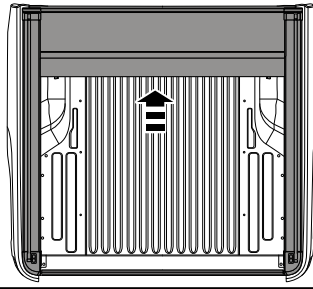
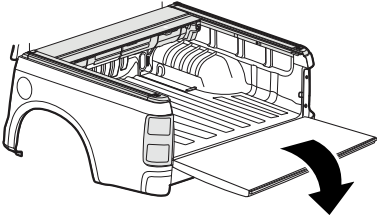
8 Check fitment and if required, trim the tube just above the bottom rib. Connect the RHS rear drain tube to the endcap and secure with a zip tie as shown. Repeat for LHS. Connect the front drain tubes to the canister. Use soapy water solution to help rubber slide over the fitting.



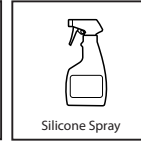
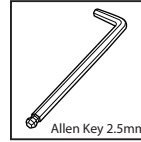
9 Follow manufacturer's instructions to refit accessories removed during tub preparation.

SILICONE LUBRICATION TO THE SPIRALS (MODELS MAY VARY, IMAGES FOR REFERENCE ONLY)

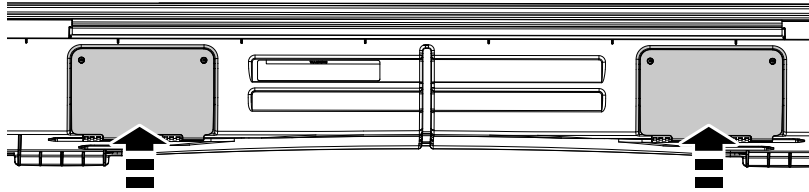
- 1** Open tailgate and EGR Rolltrac



TOOLS REQUIRED:



- 2** Using a 2.5mm Allen Key remove the 4 screws and open the inspection covers.
WARNING: Keep clear of moving parts and avoid unnecessary operation of the EGR Rolltrac while inspection covers are open.

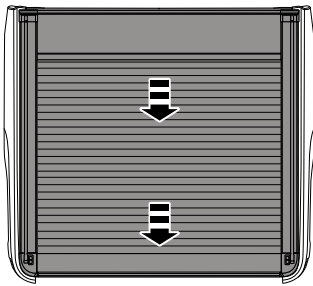


INSPECTION COVER

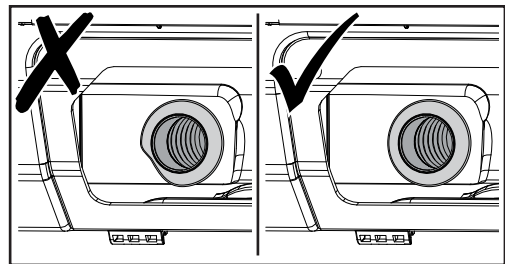
INSPECTION COVER



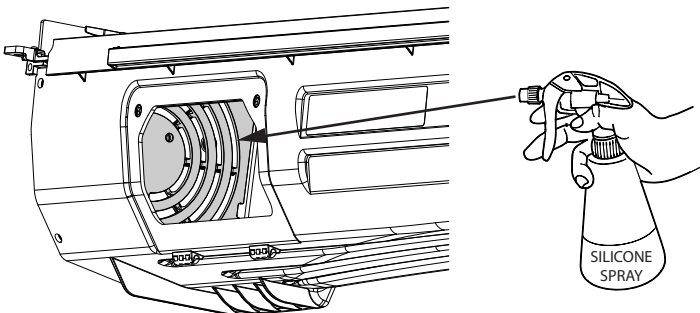
- 3** Close the EGR Rolltrac to access canister internals



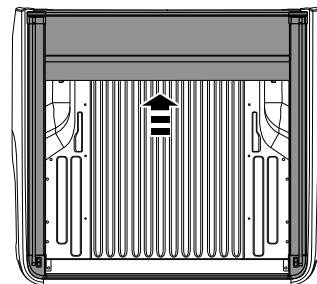
- 4** To avoid water leaks, look into the inspection points and check that the flanges of both front drain tubes are correctly engaged to the canister cover (without any kinking etc.), readjust if required.



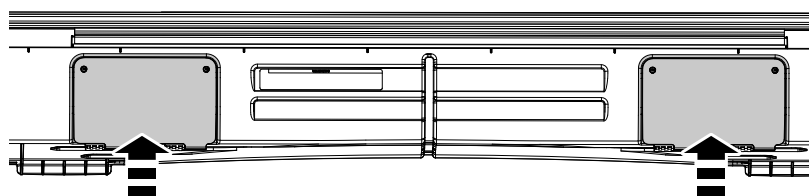
- 5** Using plastic compatible 100% Silicone Spray (ONLY) spray onto the spirals on both ends of the canister through the inspection points.



- 6** Open the EGR Rolltrac



- 7** Close the inspection covers and secure with retained screws. Open and close the EGR Rolltrac to distribute lubricant and check operation.



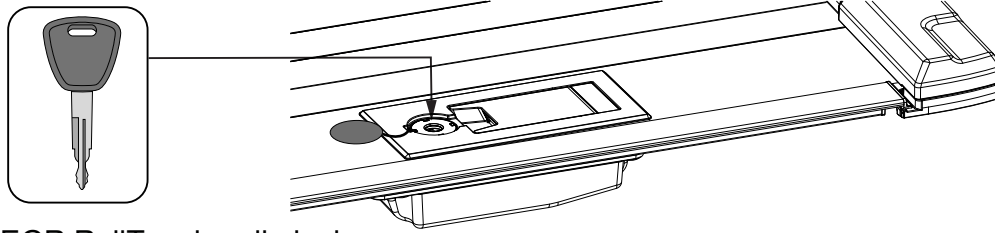
INSPECTION COVER

INSPECTION COVER



LOCKING, OPENING & CLOSING PROCEDURE

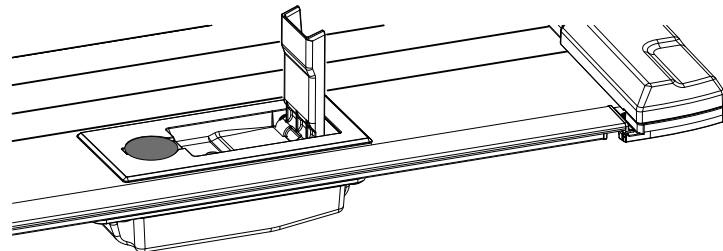
Locking / unlocking using key:



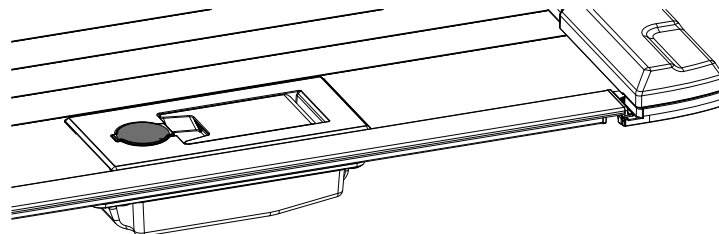
1. Ensure the EGR RollTrac handle is down.
2. Open the rubber cap covering the lock and using the provided key turn LEFT (CCW) to lock and RIGHT (CW) to unlock the hand rail.
3. Check latch engagement by opening the tailgate, if lock does not engage recheck EGR RollTrac installation. Ensure the lock cap is pushed down to seal the lock.

Note: handle must be folded down prior to locking / unlocking with key. Ensure the lock cap is pushed down to seal the lock after every use.

Opening & Closing Procedure:



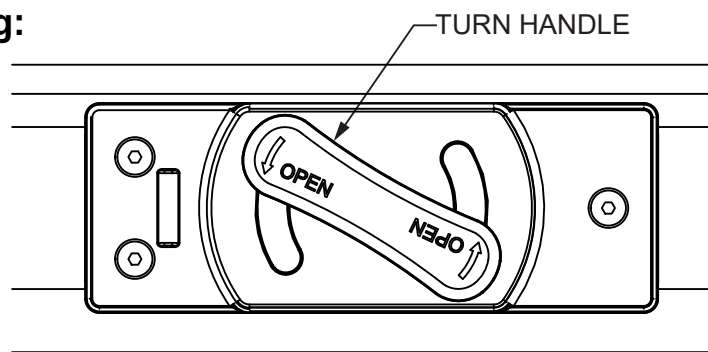
Lift the handle up to 90 degree, in order to disengage brake and slide the hand rail.



Set the hand rail to desired position and fold the handle down.

NOTE: Cover should open and close smoothly. If cover does not lock or open correctly, please refer to the trouble shooting section in the Owners Manual.

Emergency Opening:



Turn the emergency release handle located on the centre of the hand rail assembly and retract the EGR RollTrac.