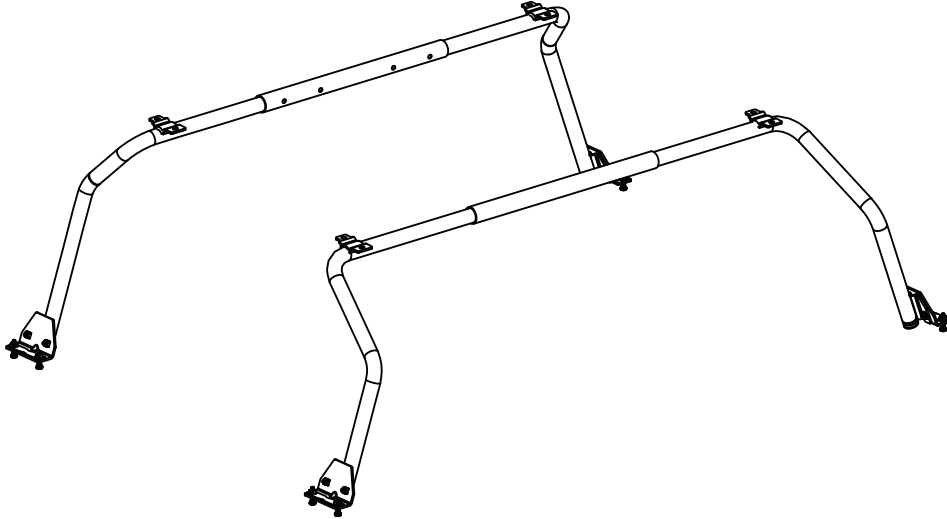


ROOF RACK INSTALLATION INSTRUCTIONS MAZDA BT-50 MY2020-



Installation Time: 1 Hour (Approximately)

Care Instructions:



Clean Roof Racks with a mild detergent and water solution.



Do not use abrasive cleaners or solvents.



Roof Racks Maximum Load to be carried
120Kg

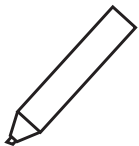
Place these instructions in vehicle's glove box after installation is complete

PLEASE REFER TO PAGE 2, OF THIS INSTRUCTION FOR A LIST OF PARTS AND QUANTITIES.

IMPORTANT!

- Read instructions carefully before installation.
- It is strongly recommended that installation is conducted by an authorised dealer.
- This product must be installed exactly as specified in these instructions.
Failure to do so may result in improper fit and/or retention.
- Recommend installation by 2 people.

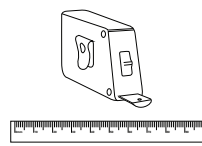
RECOMMENDED TOOL LIST - (Not Supplied in Kit)



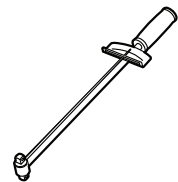
Non permanent marker



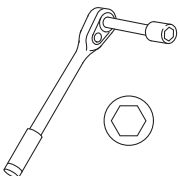
Clean dry cloths



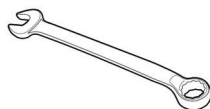
Ruler and Tape measure



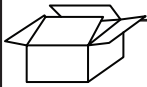
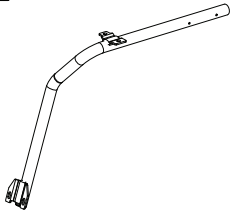
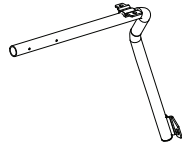
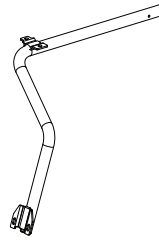
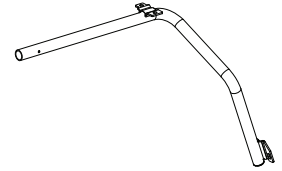
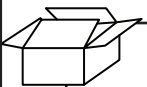
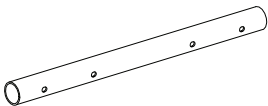
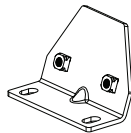
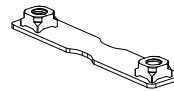
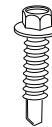
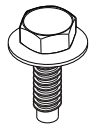
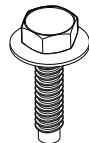
Torque wrench - 0-20Nm

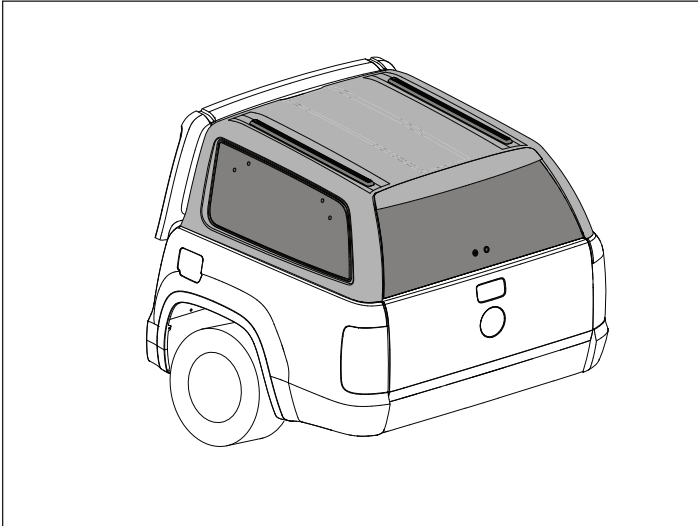


Sockets 10 & 13mm,
extension bar and ratchet



Spanners 10 & 13mm

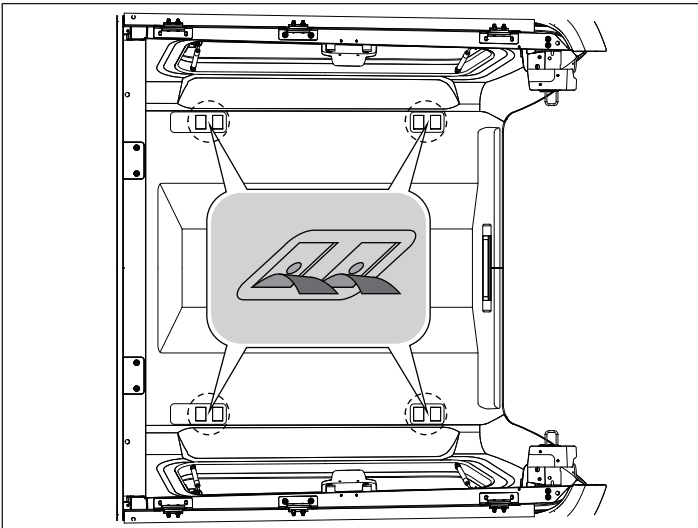
PARTS CHECK SHEET**PARTS IN MAIN CARTON**Front LHS bar
x 1Front RHS bar
x 1Rear LHS bar
x 1Rear RHS bar
x 1**PARTS IN HARDWARE KIT**Cross bar
x 2Foot bracket
x 4Nut plate
x 4Self Tapping Screw
x 8Hex head bolt M8x20
x 16Hex head bolt M8x30
x 8



Step 1.

Required tools: Clean dry cloth, Soapy water.

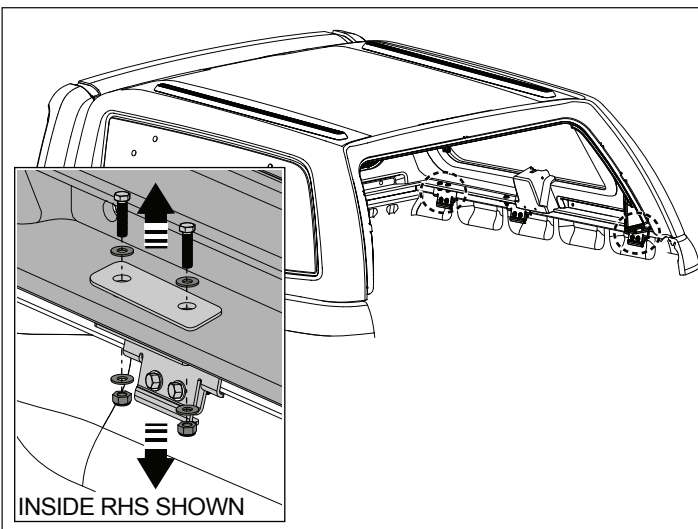
1. Thoroughly clean and dry the interior of the canopy and tub where the installation will take place.



Step 2.

Required tools: Knife.

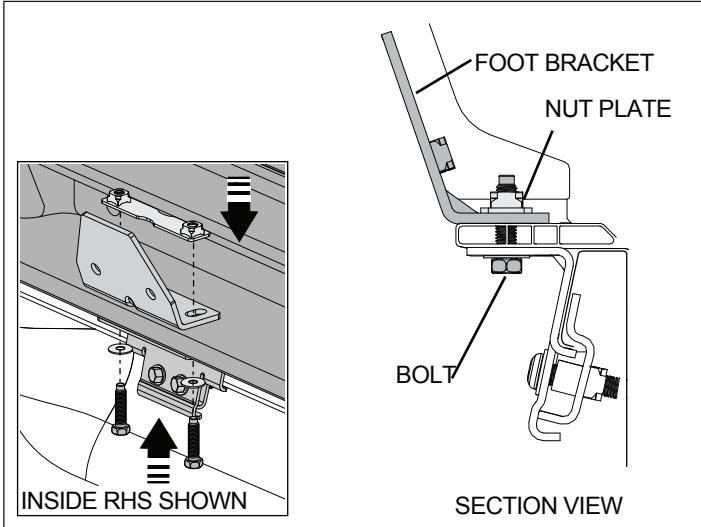
1. Locate the rectangular patches in the canopy roof lining as shown in 4 locations.
2. Cut the 8 patches out and discard.



Step 3.

Required tools: Ratchet, Spanner.

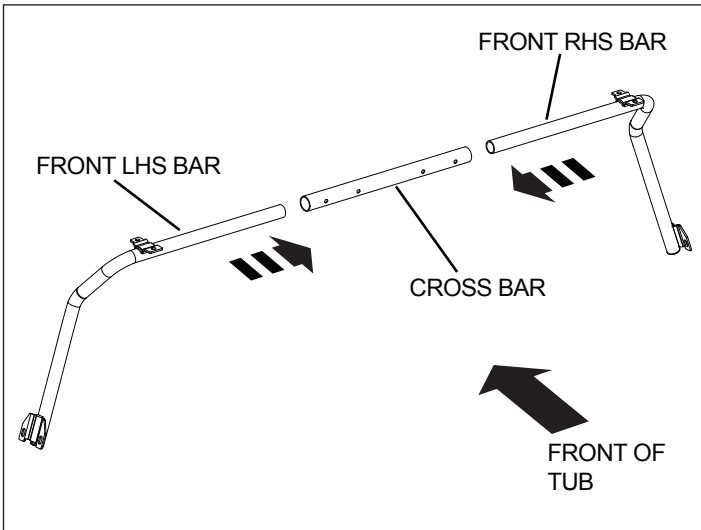
1. Remove and discard the hardware on the front and rear LHS and RHS bracket as shown.



Step 4.

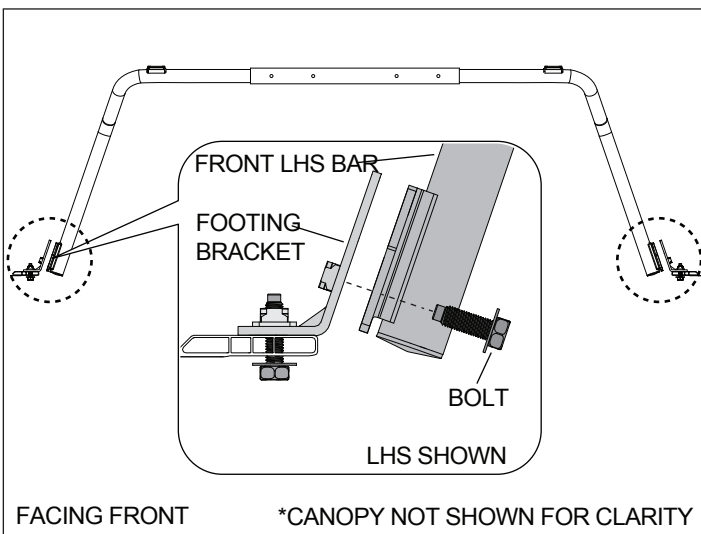
Required tools: Ratchet.

1. Install the Foot Brackets and loosely secure using the 30mm Hex Head Bolts, Flat Washers and Nut Plates as shown.



Step 5.

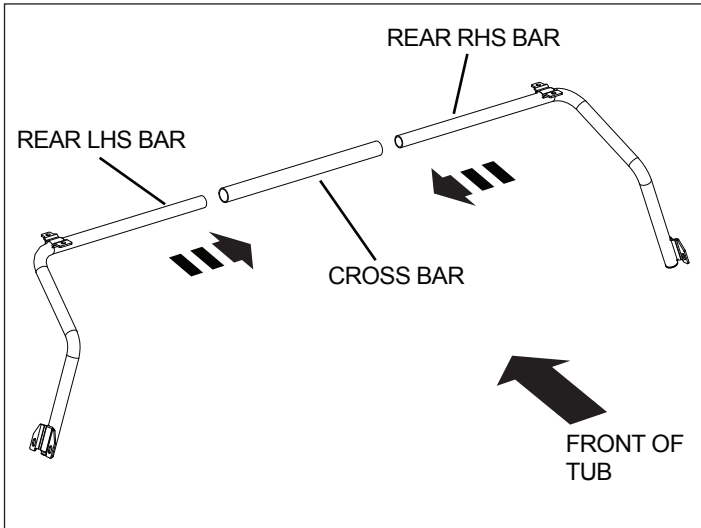
1. Slide both the Front LHS and RHS Bars into the Cross Bar.



Step 6.

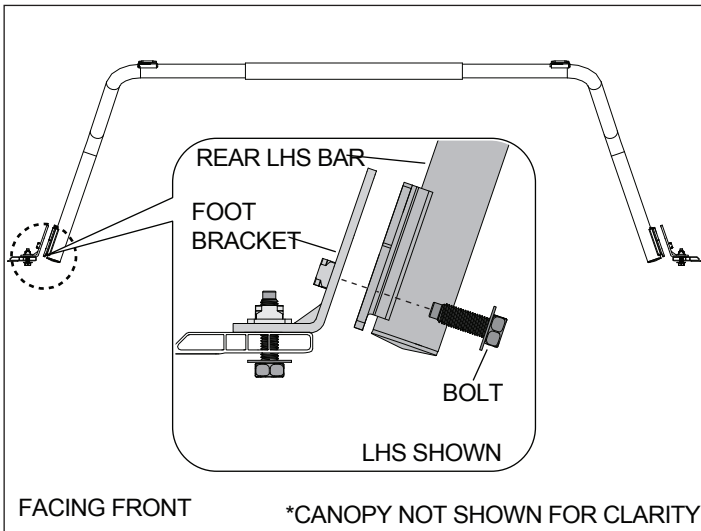
Required tools: Ratchet.

1. Align the front bar assembly with the installed Foot Brackets at the front of the tub.
2. Loosely secure the Front LHS Bar to the Front LHS Foot Bracket using 25mm Hex Head Bolts.
3. Repeat for the RHS.



Step 7.

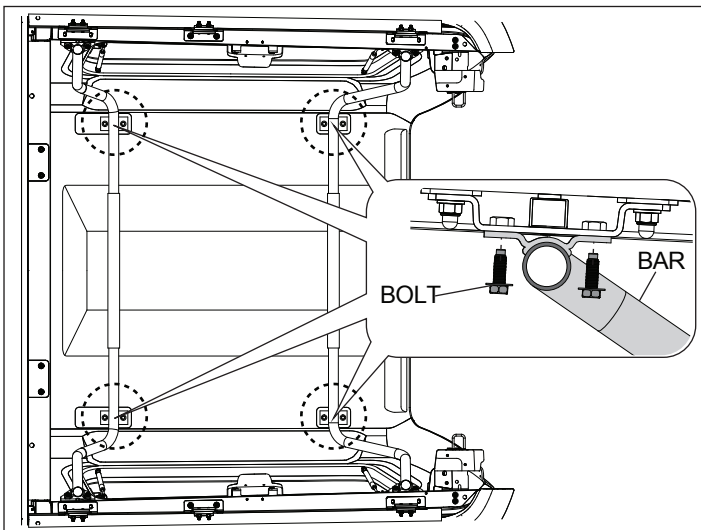
1. Slide both the Rear LHS and RHS Bar into the Cross Bar.



Step 8.

Required tools: Ratchet.

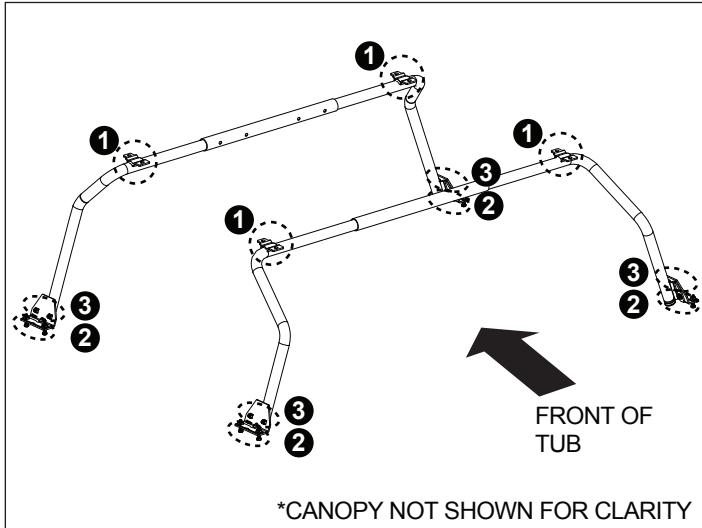
1. Align the rear bar assembly with the installed Foot Brackets towards the rear of the tub.
2. Loosely secure the Rear LHS Bar to the Rear LHS Foot Bracket using 25mm Hex Head Bolts.
2. Repeat for the RHS.



Step 9.

Required tools: Ratchet.

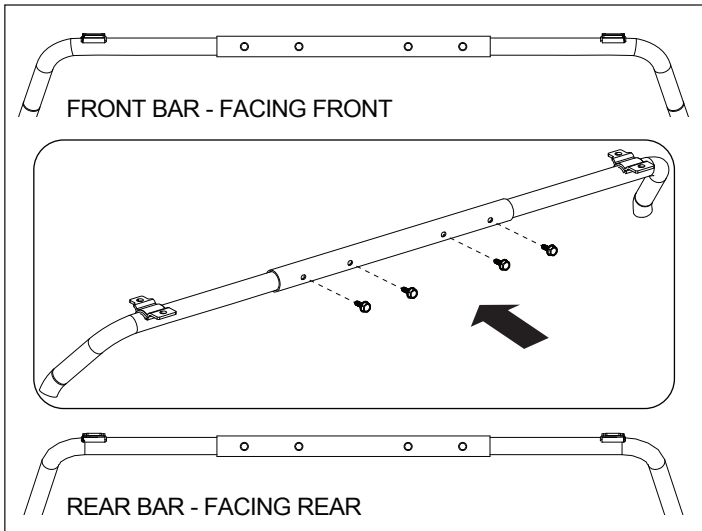
1. Loosely secure the front and rear bar assembly to the canopy roof using 25mm Hex Head Bolts, as shown.



Step 10.

Required tools: Torque Wrench.

1. Tighten the top roof bolts (1) to 20Nm.
2. Tighten the foot brackets to baserail bolts (2) to 15Nm.
3. Tighten the foot bracket to side tube bolts (3) to 20Nm.



Step 11.

Required tools: Hex head driver.

1. Screw four Self Tapping Screws through the holes in the Front Cross Bar and into the Front LHS and RHS Bars.
2. Repeat for the rear bars.



OWNERS MANUAL SUPPLEMENT
IMPORTANT: PLACE THIS PAGE IN THE CUSTOMER'S
VEHICLE SERVICE BOOK.



WARNING! - SAFETY!

- Total Load to be carried on this Roof Rack system is 120Kg Maximum.
- Loads must be distributed as evenly as possible across this Roof Rack system, and the loads centre of gravity to be kept as low as possible. Narrow and Heavy loads (example: metal tubes) must be positioned over or near the Roof Rack Mounting Brackets attached to the vehicle roof.
- Loads that over-hang the ends of the Roof Racks must conform to any relevant laws and must be adequately secured.
- All loads must be firmly and independently secured, to both Front and Rear Roof Rack Extrusions.
- Loads must be secured using suitable straps or similar tightening devices.
- After loading, recheck the security of the load and Roof Racks regularly throughout the journey.
- Elastic straps with securing hooks must not be used.
- Where surfboards are carried (or similar items that may produce high lifting forces), they must not be carried side by side, but stacked one upon the other and secured independently to Front and Rear Roof Rack Extrusions using straps or other methods capable of with-standing the lifting forces.
- Where specialised accessories are available to carry or secure loads (example bicycle carriers), it is recommended that are used, and must be installed correctly.
- The handling characteristics of a vehicle will change when a carrier system (Roof Racks) is fitted, and especially when it is loaded (in particular cross wind sensitivity, handling on bends and braking). Driving techniques should be altered to allow for these changes, reducing speed especially on bends, and allow for longer braking distances.

Maintenance

- Only use mild detergents or wax polish.
- Do Not use abrasive compounds on painted or plastic finished Roof Rack surfaces.
- Roof Racks and any accessories, straps or other tightening devices must be maintained and kept in good working order.
- Regularly check and tighten Roof Rack attachment hardware to specified values, (if required).
- If Roof racks are removed, all bolts must be re-tightened on refitting to specified values.

Warranty Terms

Roof Racks will be free from defects in material and workmanship for a period of three (3) years from the retail date of purchase. This warranty only applies to the original purchaser and is non-transferable. Warranty must be claimed with original sales receipt for proof of purchase.

Exclusions

This warranty does not cover failure due to neglect, improper installation, including any modifications to installation hardware, alterations, addition of non genuine equipment, abuse, accident, normal wear and tear, lack of maintenance, misuse, and exposure to chemicals that are not safe for plastics or hardware components.

Incidental or consequential damage or loss of contents due to use, neglect, lack of maintenance, misuse of Roof Racks is sole responsibility of the vehicle owner and operator.

Our products are sold as Roof Rack Systems and not a Roll Bar. In the event of a collision or rollover, the vehicle and any persons or objects traveling in the rear of the vehicle will not be protected by this product. The manufacturer assumes no liability for injury, loss, incidental or consequential damages in the event of a collision or rollover.

Disclaimer

In the event that your Roof Racks are found to be defective under the terms of this warranty, it is at the discretion of supplier to repair or replace the defective part. Transportation costs and labour are not associated with this warranty claim.

(Subject to vehicle manufacturer's recommendations)