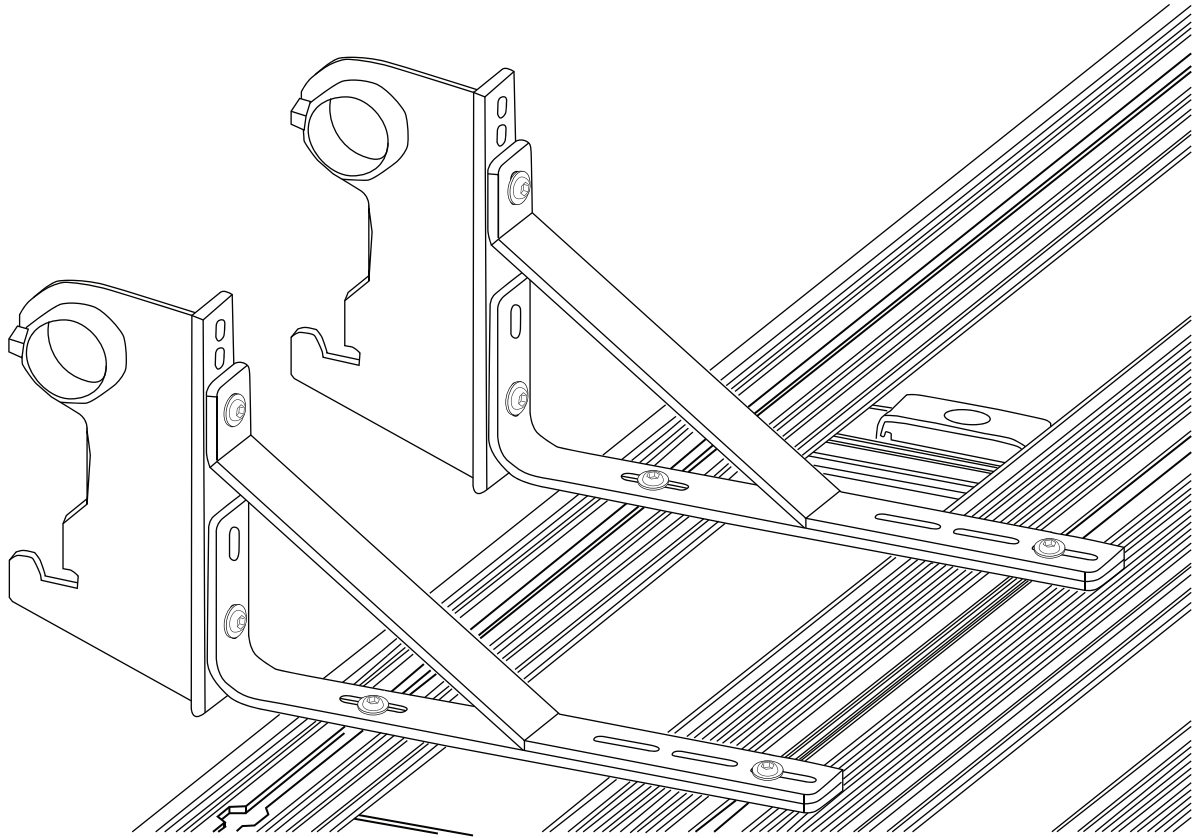


# RR01 SJH

## Roof Rack Bracket Installation Instructions



Installation Time: Approx. 30 mins

Place these instructions in vehicle's glove box after installation is complete

### General Notes

- Read through the fitting instructions before installation of accessory.
- Always install the accessory following the fitting instructions. Failure to do so may cause damage to the vehicle or the accessory.
- Ensure all recyclable discarded vehicle accessory components and packaging are recycled following local recycling regulations.
- It is always recommended that this accessory is fitted by a qualified Technician.
- Safely store and protect any removed vehicle components.
- Ensure all bare metal surfaces are protected using Automotive Bare Metal Primer and touch-up paint.
- Please check content of kit using this list and subsequent sketches.
- Remove all metal swarf and dust from all vehicle surfaces if surface is used for accessory installation.

### Safety Notes

- Check that all work practices comply with safety standards.
- Please wear appropriate clothing and use safety equipment.



### Care Instructions:

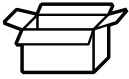


Clean with mild detergent and water solution.

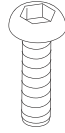


Do not use abrasive cleaners or solvents.

### PARTS LIST

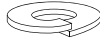


**1**



M8 x 20 Hex  
Socket Button Head Screw  
Qty - 10

**2**



D8 Spring Washer  
Qty - 10

**3**



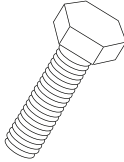
M8 x 34 x 20 x 5  
Washer Plate  
Qty - 4

**4**



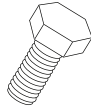
D8 Flat Washer  
Qty - 10

**5**



M10 x 50 Hex Head Bolt  
Qty - 2

**6**



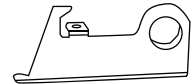
M8 x 25 Hex Head Bolt  
Qty - 2

**7**



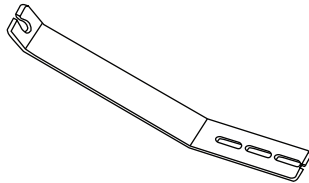
M8 Hex Nut  
Qty - 4

**8**



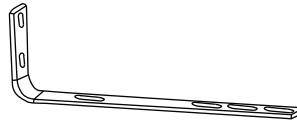
Bracket 1  
Qty - 2

**9**



Bracket 2  
Qty - 2

**10**



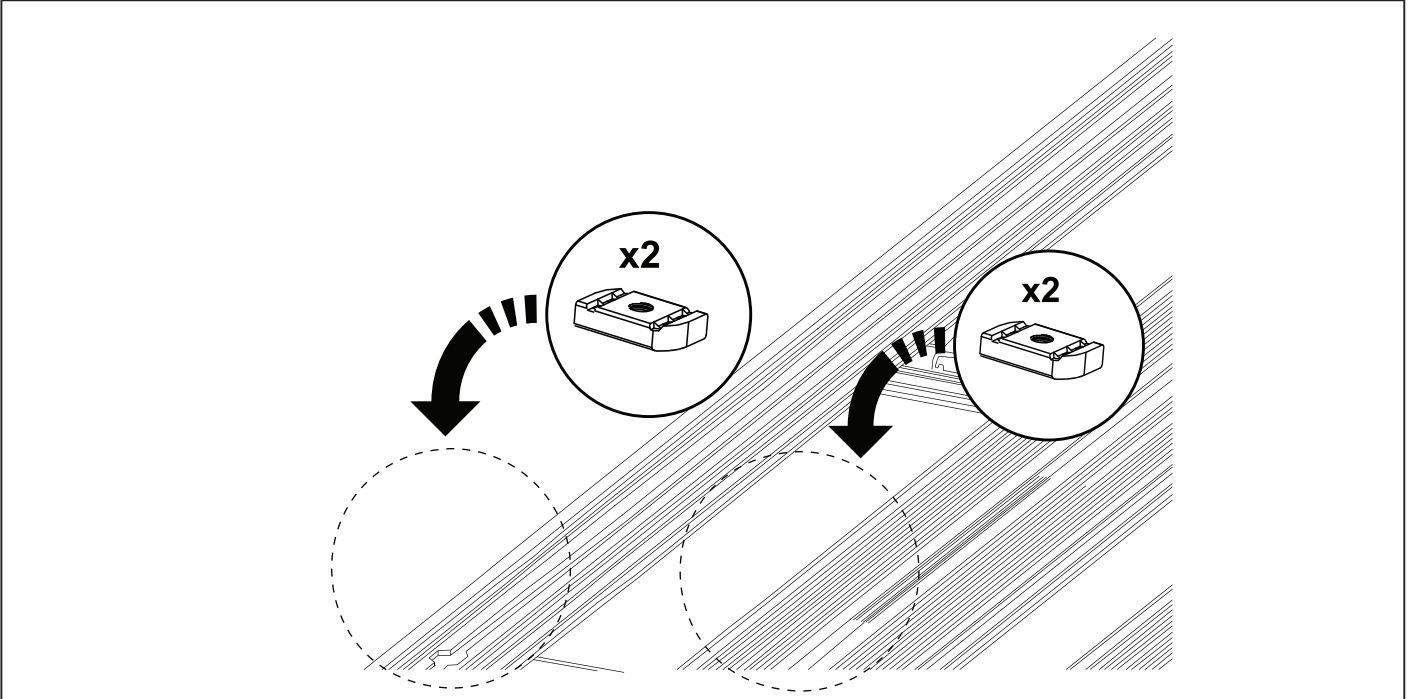
Bracket 3  
Qty - 2



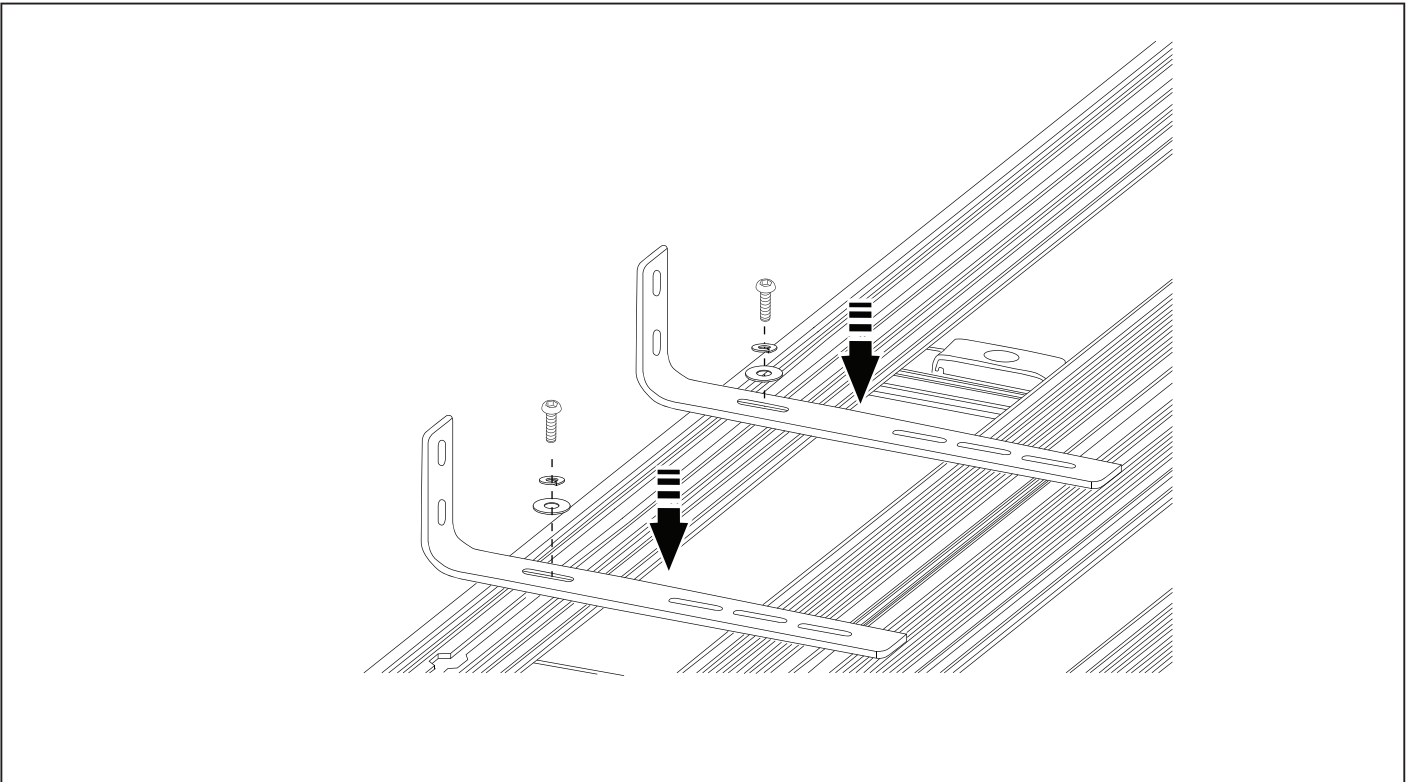
### TOOLS REQUIRED



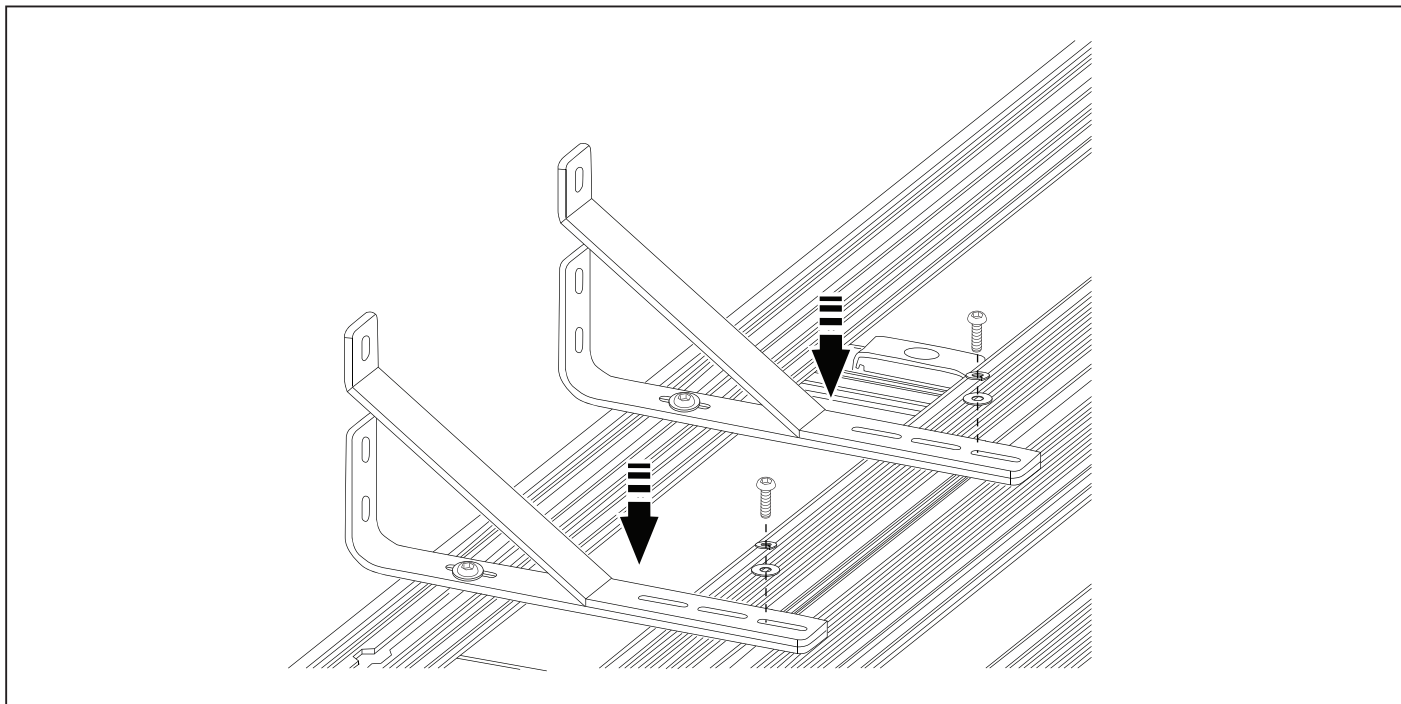
8mm Allen Key

**INSTALLATION INSTRUCTIONS**

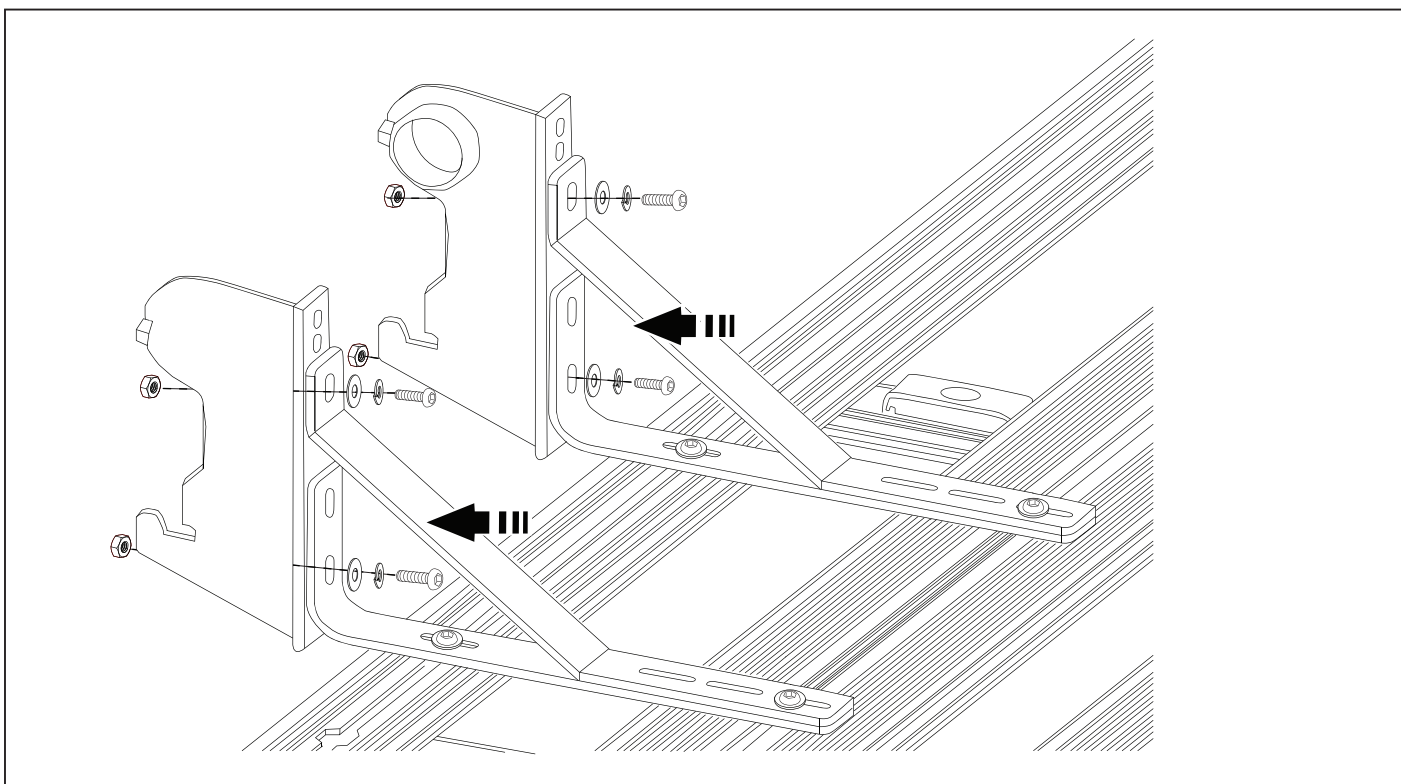
1. Slide M8 Nut Plate into Roof Rack and position where Bracket will be installed.



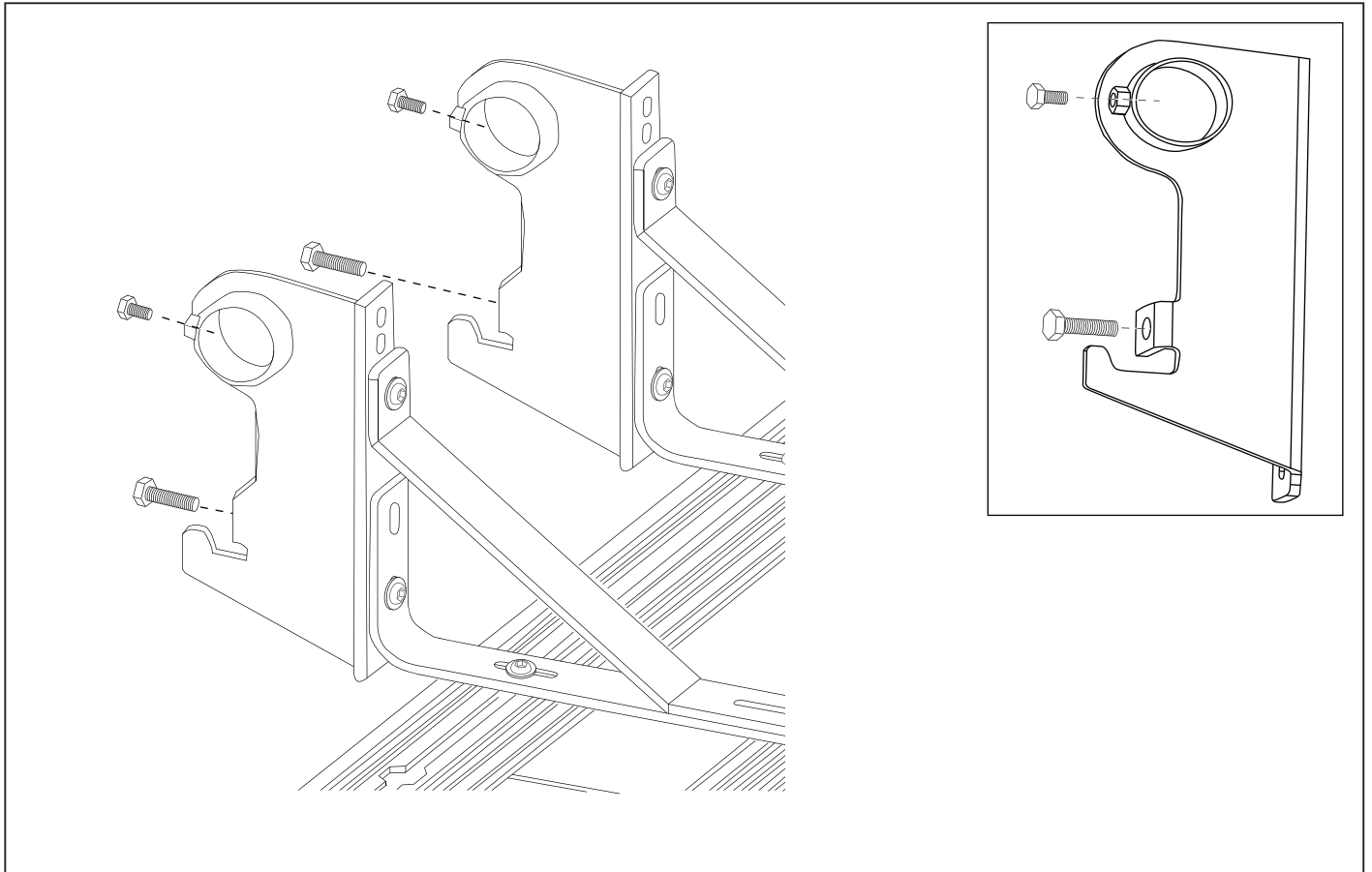
2. Position Bracket 3 over Roof Rack tracks and align with Washer Plate.  
Fix in position using M8 x 20 Hex Socket Button Head Screw, D8 Spring Washer and D8 Flat Washer.



1. Position Bracket 2 over loosely fitted Bracket 3, align and secure with M8 x 20 Hex Socket Button Head Screw, D8 Spring Washer and D8 Flat Washer.



2. Conect Bracket 1 to the end of Bracket 2 and 3 as indicated. Fix with M8 x 20 Hex Socket Button Head Screw, D8 Spring Washer, D8 Flat Washer and D8 Hex Head.



3. Insert M8 x 25 Hex Head Bolt into circular guard as indicated. Insert M10 x 50 Hex Head Bolt into bottom extrusion as indicated.

Torque M10 x 50 Hex Head Bolt tight into crossbar.