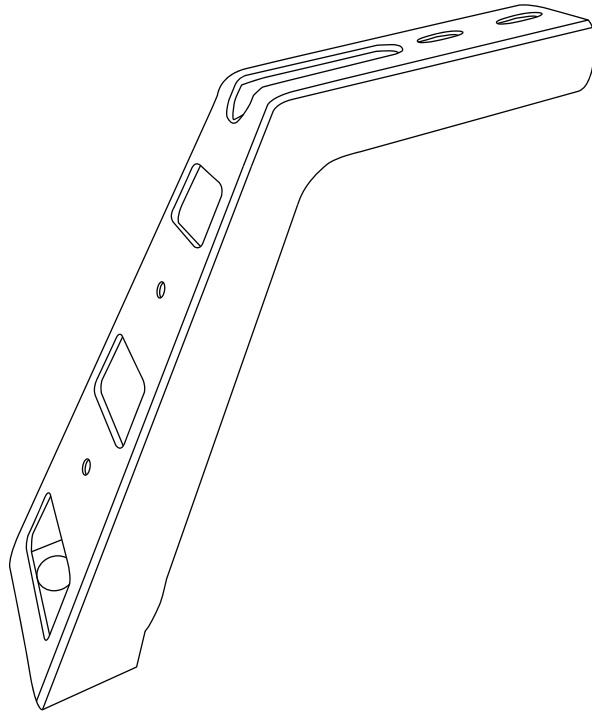


# RR01-PTB 200 x 4

## Roof Rack Bracket

### Installation Instructions



Installation Time: Approx. 30 mins

Place these instructions in vehicle's glove box after installation is complete

#### General Notes

- Read through the fitting instructions before installation of accessory.
- Always install the accessory following the fitting instructions. Failure to do so may cause damage to the vehicle or the accessory.
- Ensure all recyclable discarded vehicle accessory components and packaging are recycled following local recycling regulations.
- It is always recommended that this accessory is fitted by a qualified Technician.
- Safely store and protect any removed vehicle components.
- Ensure all bare metal surfaces are protected using Automotive Bare Metal Primer and touch-up paint.
- Please check content of kit using this list and subsequent sketches.
- Remove all metal swarf and dust from all vehicle surfaces if surface is used for accessory installation.

#### Safety Notes

- Check that all work practices comply with safety standards.
- Please wear appropriate clothing and use safety equipment.



#### Care Instructions:

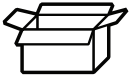


Clean with mild detergent and water solution.

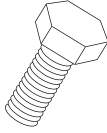


Do not use abrasive cleaners or solvents.

### PARTS LIST



1



M8 x 20 Hexagon Bolt  
Qty - 8

2



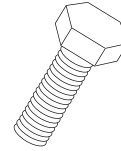
D8 Spring Washer  
Qty - 16

3



D8 Flat Washer  
Qty - 16

4



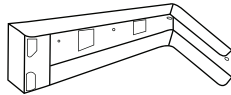
M8 x 25 Hexagon Bolt  
Qty - 8

5



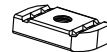
M8 x 34 x 20 x 5  
Nut Plate  
Qty - 8

6



Bracket 200mm  
Qty - 4

7



M8 x 34 x 18.5 x 5  
Nut Plate  
Qty - 8



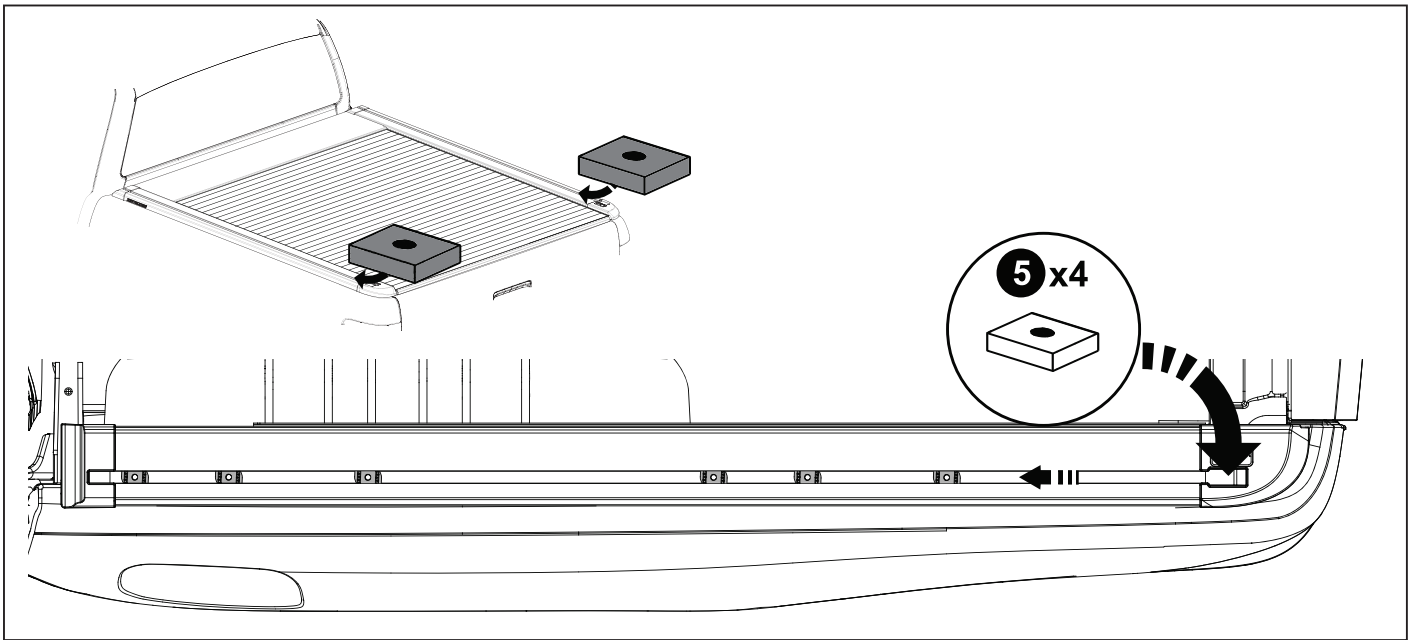
### TOOLS REQUIRED



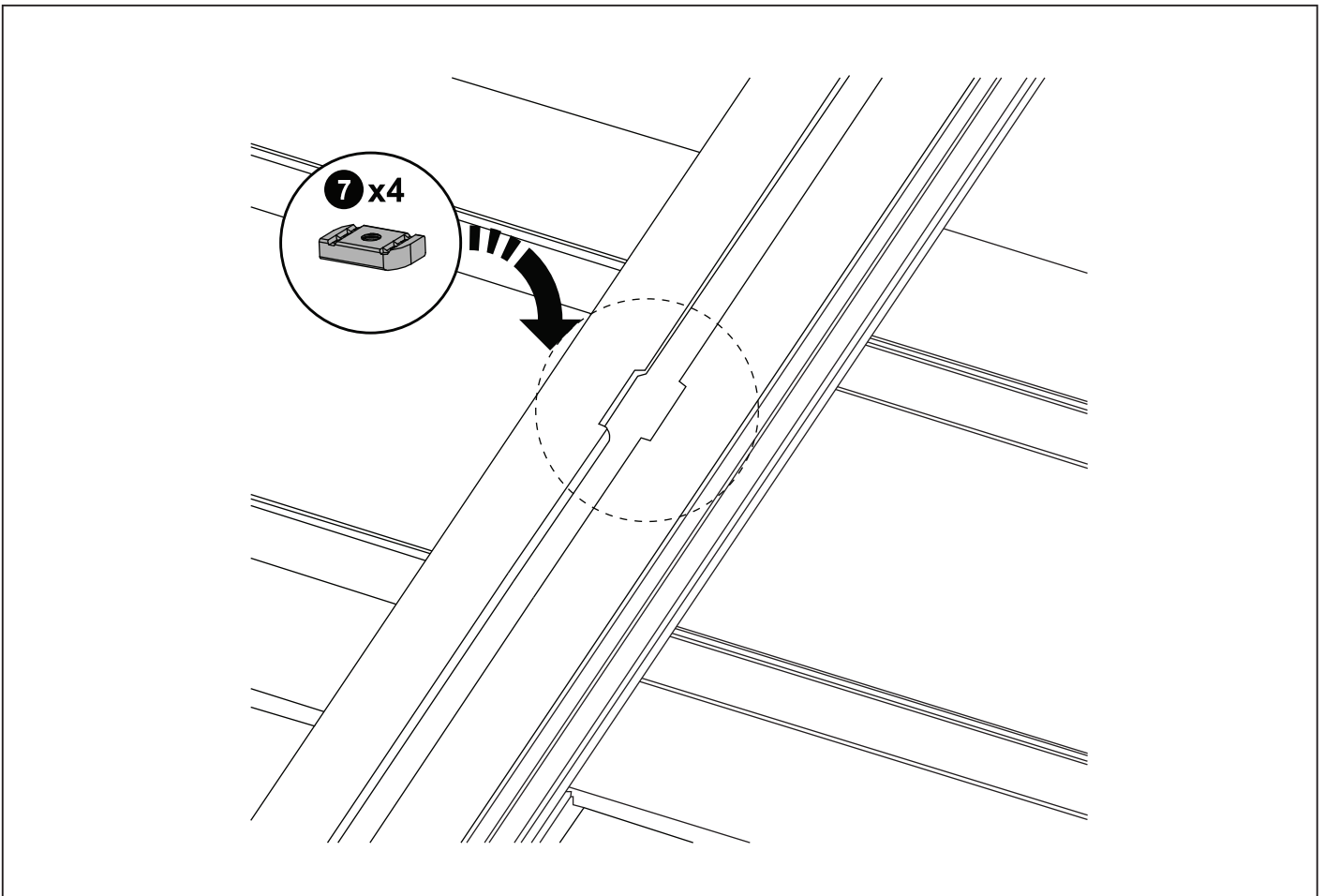
Torque  
Wrench



Two  
People  
Required

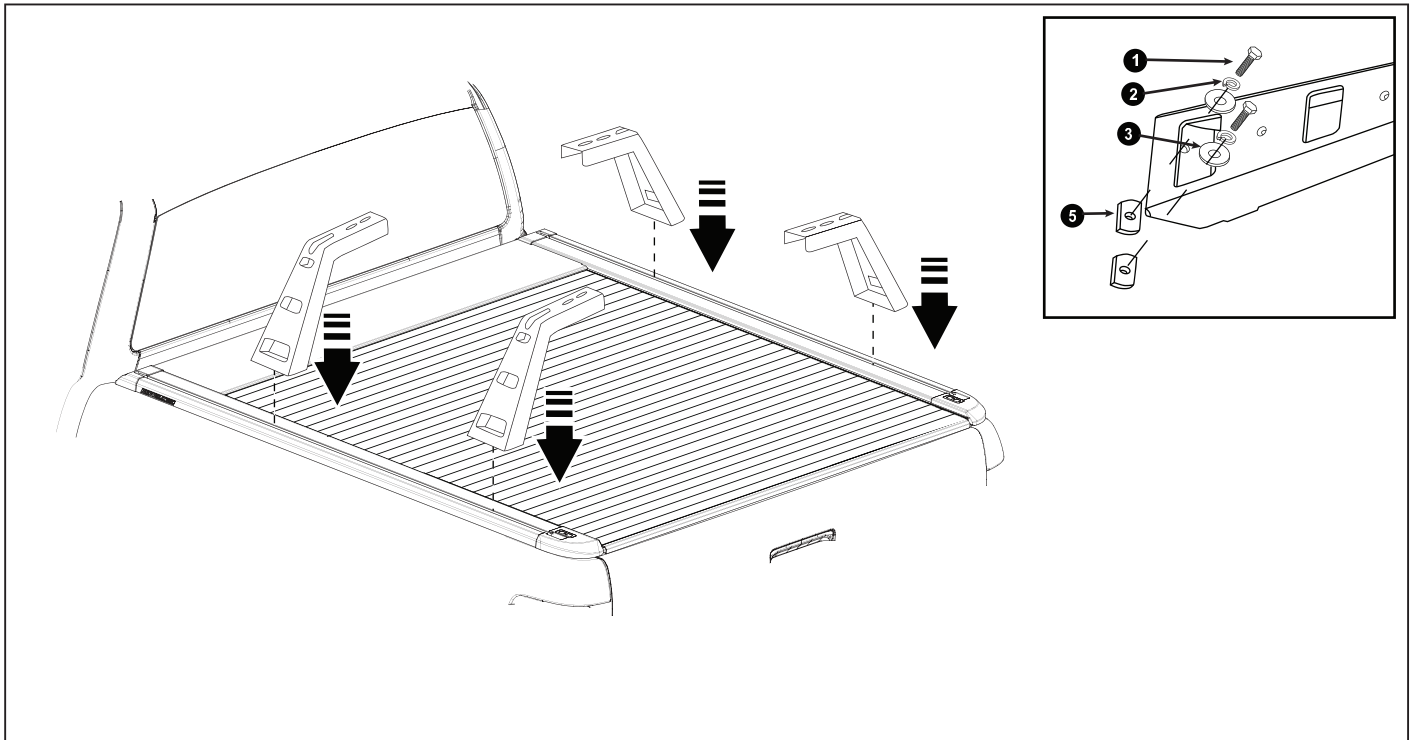
**INSTALLATION INSTRUCTIONS**

1. Insert 6 Nut Plates into each side of the Rolltrac.

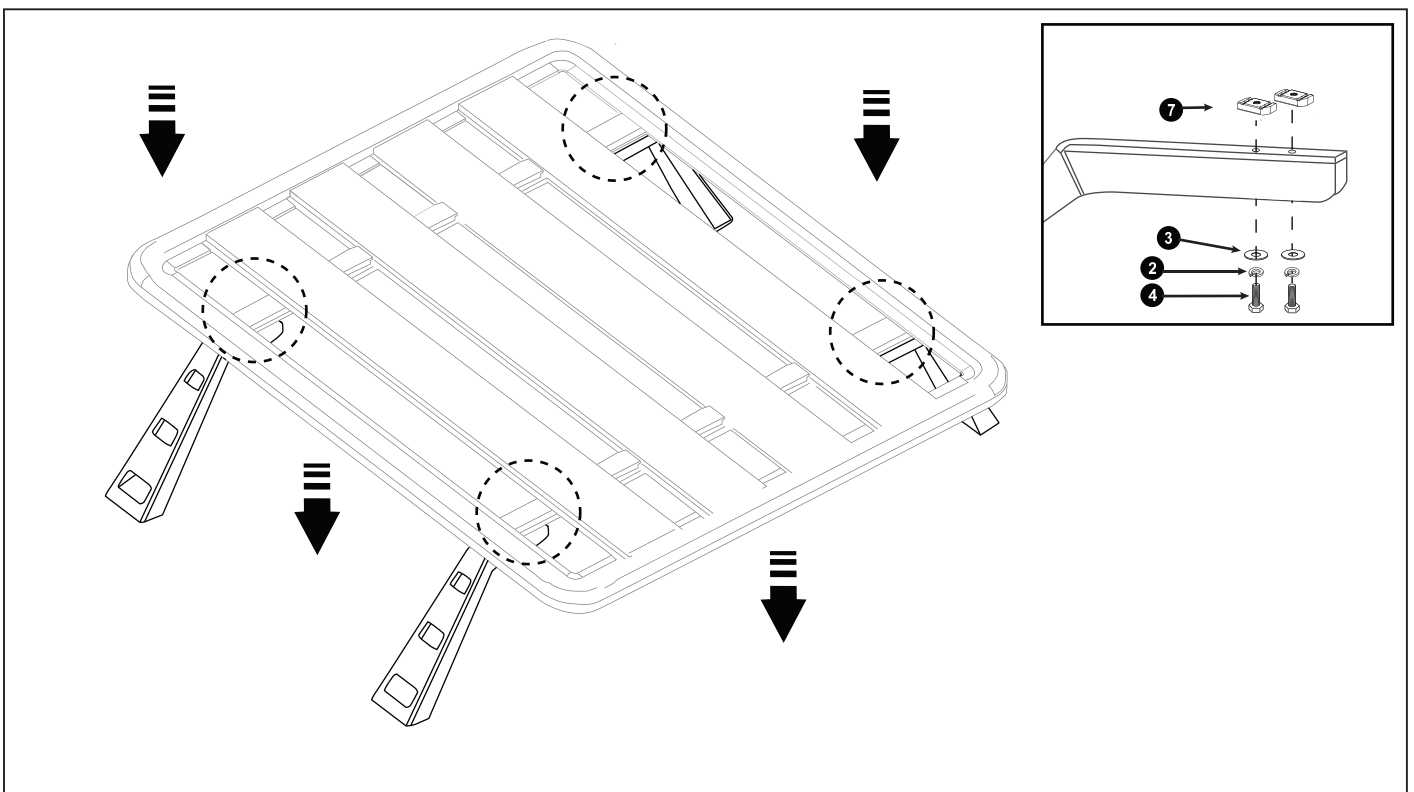


2. Insert 4 Nut Plates into the underside of each centre piece of the assembled Roof Rack through the middle channel as indicated. Move Nut Plates to far ends of the Roof Rack track.

NOTE: Each of the centre pieces requires 4 Nut Plates.



3. Position Brackets above left hand side inserted Nut Plates and loosely fix with M8 x 20 Bolt, D8 Spring Washer and D8 Flat Washer.



4. Align bracket with Roof Rack and Nut Plates. Loosely fix, once aligned, tighten with M8x30 Bolts, D8 Spring Washer and D8 Flat Washer.