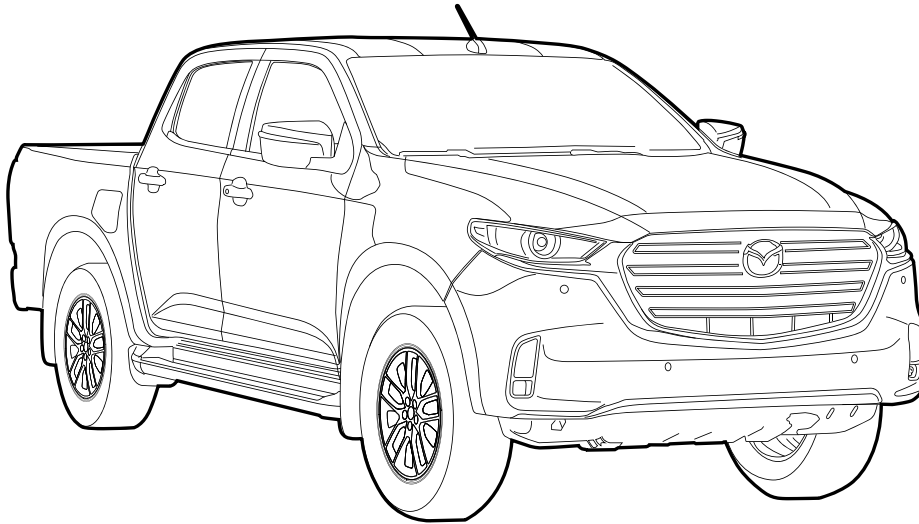




MAZDA

BT-50 SPORTS BAR INSTALLATION INSTRUCTIONS



1 hour



44lbs / 20.2 kg



IMPORTANT:

Please read each step of these instructions carefully prior to commencing installation!

Place these instructions in the vehicle's glovebox after installation is complete



IMPORTANT:

- Do not use this product in any other motor vehicle for which it is not designed.
- Do not use any other mounting location / method other than described in this instruction.
- It is advisable to seek assistance of another person when installing this product.
- Do not remove the label from the Sports Bar.
- Ensure all torque settings are followed.

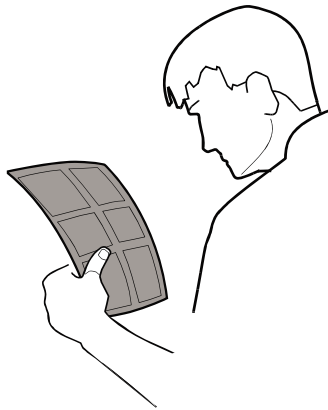
Note: This is a polished product. **Beware of belts, buckles zippers, etc. when lifting Sportsbar as these will easily damage the finish.** To avoid corrosion stains, clean up after completion of installation - remove all drill swarf & wipe all fingerprints from car & product.

ACCESSORY PART NUMBER: TF11ACSBP (Polished SS), TF11ACSB (Black PC), TF11ACSB (Black PC w/sideplates)

MODEL YEAR: 20/21 ONWARDS

EGR REF No.: SBAR128 (Polished SS), SBAR129 (Black PC), SBAR137 (Black PC w/sideplates)

FITTING INSTRUCTION No. : SB0047a


SAFETY PRECAUTIONS

Follow all standard workshop and occupational health and safety practices during the installation and re-work process.

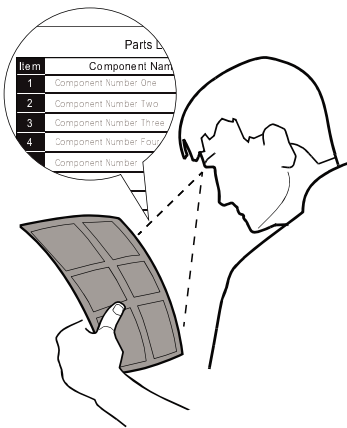
Safety glasses, hearing protection and gloves must be used where necessary.

Avoid contact with the hot steel when the vehicle tray is being drilled or cut.

Clean up the swarf immediately to avoid a slipping hazard.

Important


Product is decorative only and is not a safety feature!
Once installed, product does not enhance vehicle structure, integrity or safety.
The sport bar is not designed to prevent injury or death in the event of a roll-over or other type of accident while the sportbar is installed.

■ INSTALLATION PRECAUTIONS

STOCKTAKE OF PARTS

Read instructions thoroughly and check all the supplied Sports Bar parts and fasteners against the bill of materials before commencing the assembly or installation of the Sports Bar.

■ STOCKTAKE OF PARTS (PARTS LIST IN ILLUSTRATION IS AN EXAMPLE ONLY)

CLEANING

Use a firm water spray to remove any loose dirt from the part.

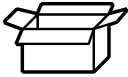
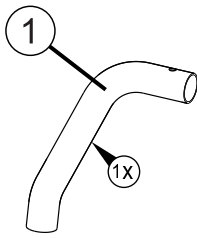
Wash with water, detergent and a soft cloth or sponge.

Do not use petroleum based solvents

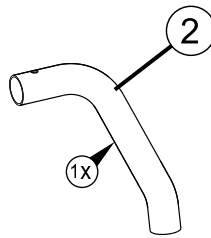
For polished parts surfaces can be maintained using metal polishes


MAINTENANCE

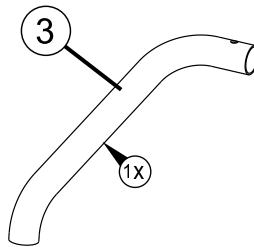
Check and re-tighten all securing nuts and bolts every 20,000 km's.


PARTS LIST


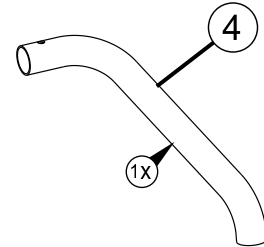
Front Leg LHS



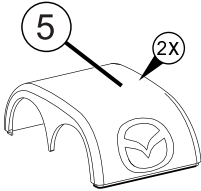
Front Leg RHS



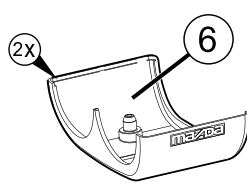
Rear Leg LHS



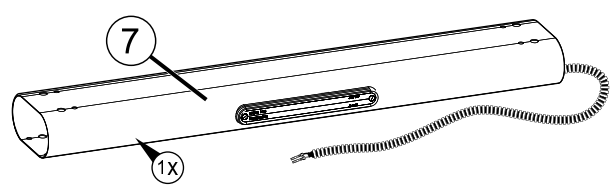
Rear Leg RHS



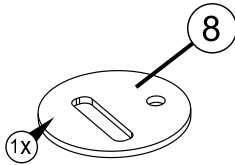
Cover - Upper



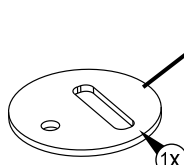
Cover - Lower



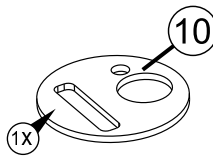
Centre Bar



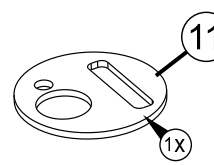
Front Foot Gasket RHS



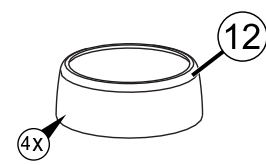
Front Foot Gasket LHS



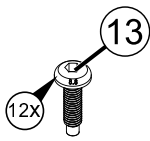
Rear Foot Gasket RHS



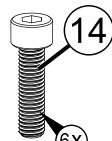
Rear Foot Gasket LHS



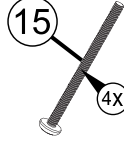
Foot Cup



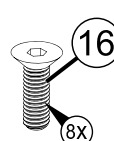
M8 x 30mm Screw



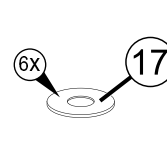
M8x 30mm Leg Bkt Bolt



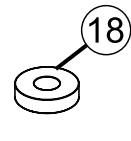
M5x80mm Cover Screw



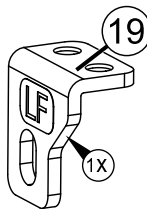
M8x25mm Counter Sunk Bkt Screw



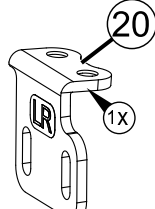
M8 x 22mm Flat Washer



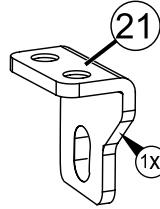
6mm Spacer



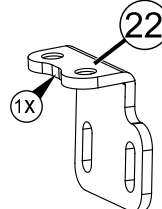
Front Foot Bracket LHS "LF"



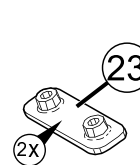
Rear Foot Bracket LHS "LR"



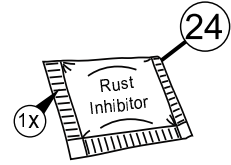
Front Foot Bracket RHS "RF"



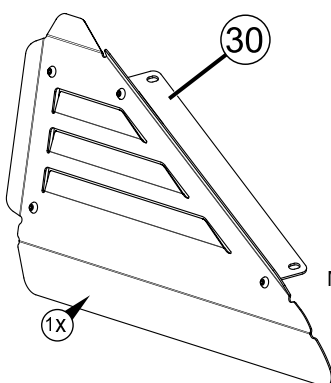
Rear Foot Bracket RHS "RR"



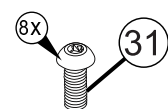
Nut Plate



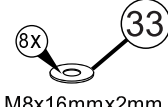
Rust Inhibitor

SIDEPLATES FOR PREMIUM VEHICLE MODEL ONLY


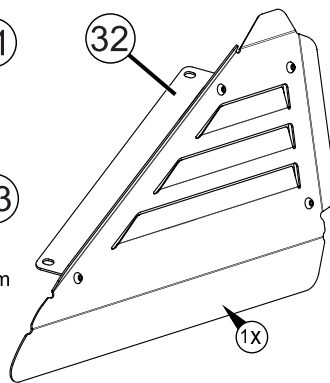
Side Plate Left Hand Side



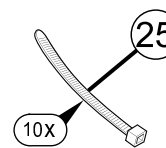
M8x 20mm Side Plate Bolt



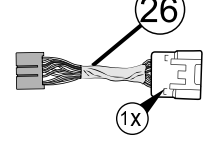
M8x16mmx2mm Side Plate Washer



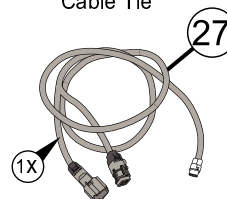
Side Plate Right Hand Side



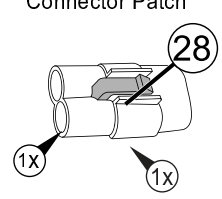
Cable Tie



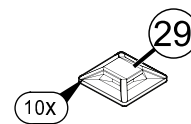
Connector Patch



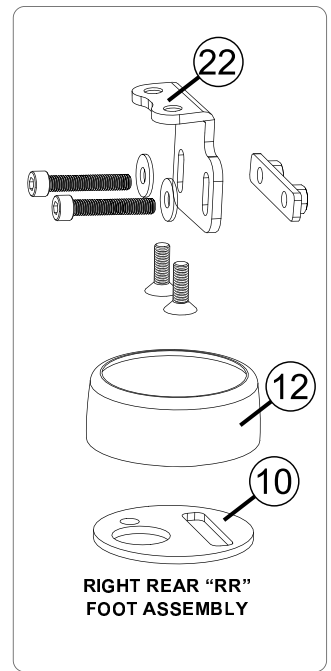
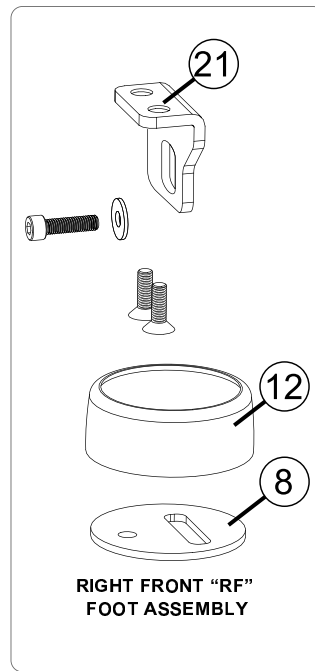
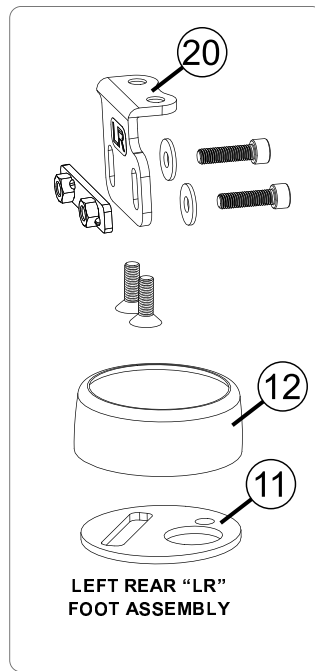
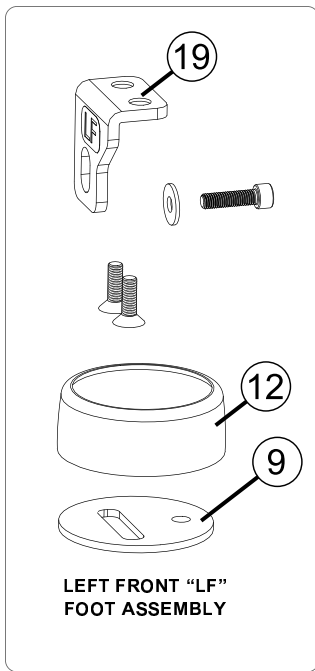
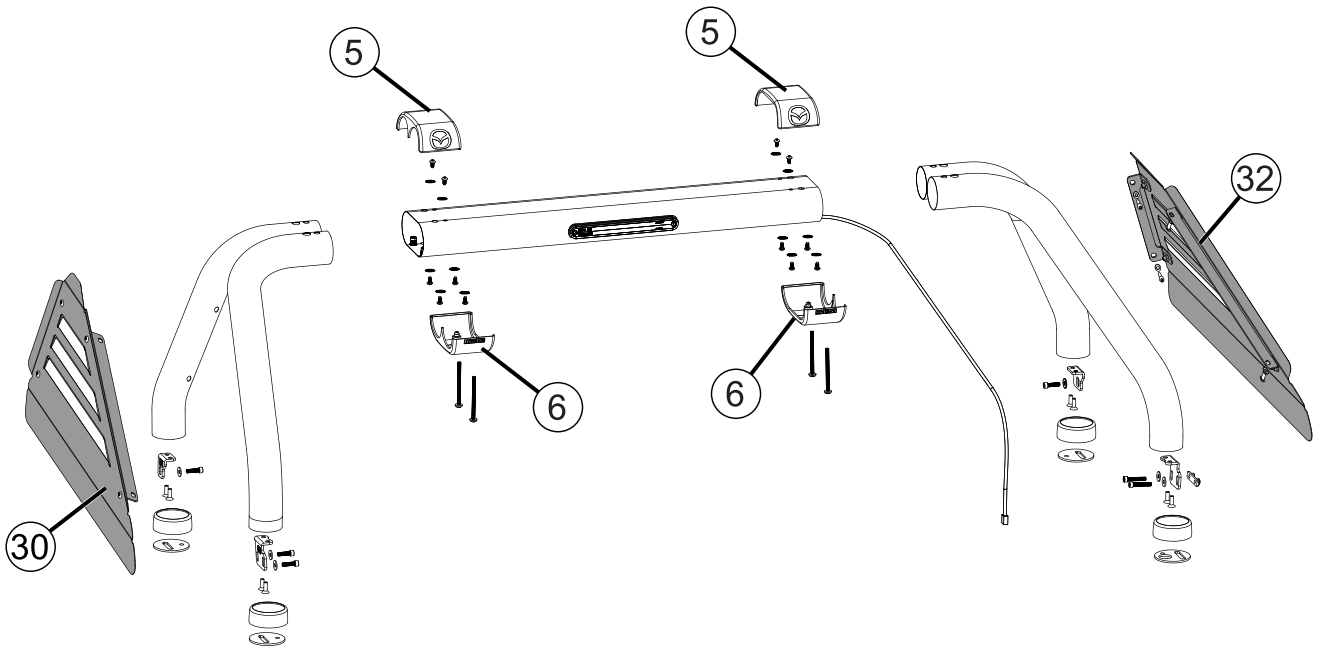
Extension Harness

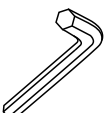



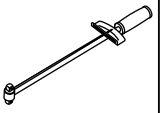



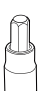


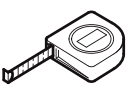






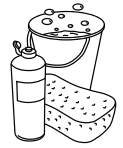
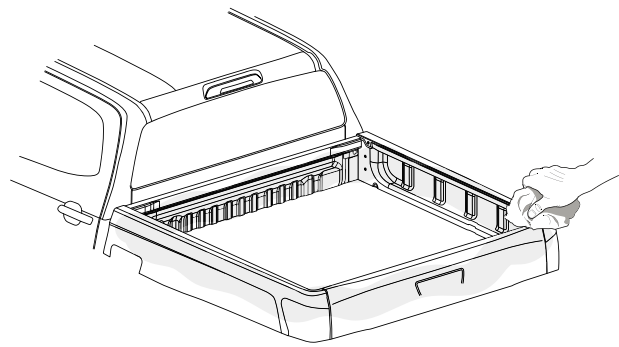
Stop Lamp Plug



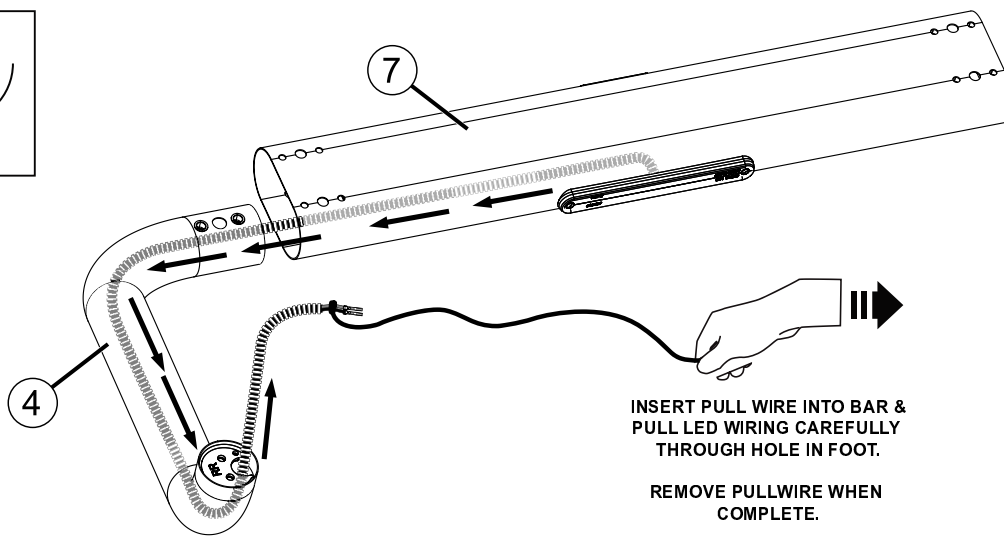
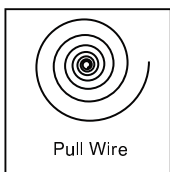
Cable Tie Base

EXPLODED VIEW AND REQUIRED TOOLS


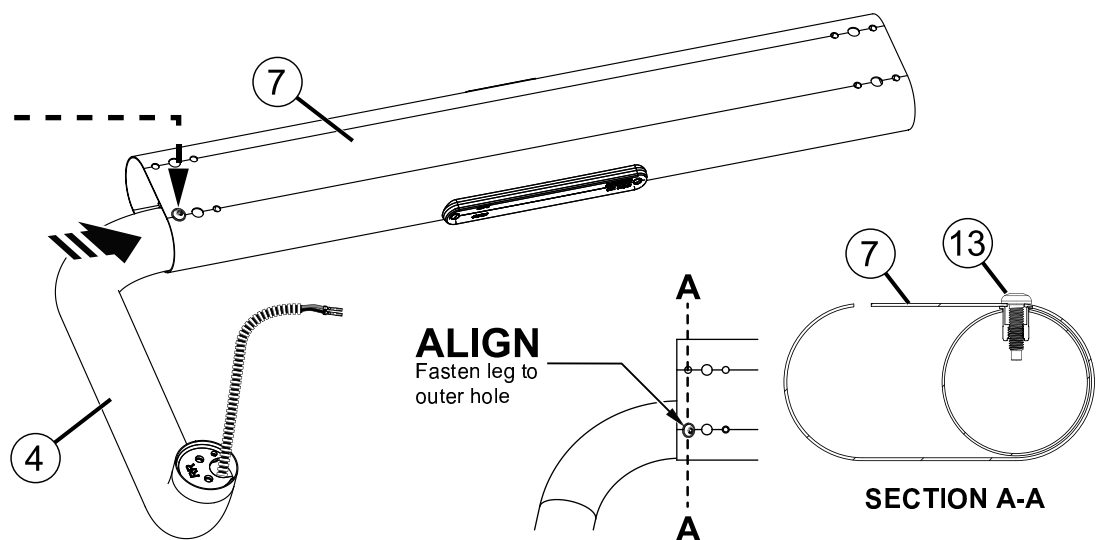
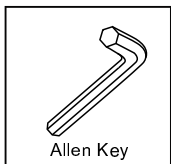
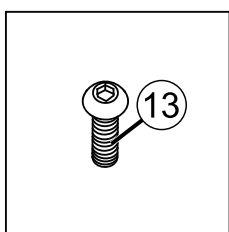
 Allen Key	 Socket Wrench	 T40 Torx Driver	 Hammer and Centre Punch	 Torque Wrench	 Drill Stop 9mm,3 mm	 Ø 9,0 mm, 3mm. Drill Bit	 Cutters
 Allen Socket	 Phillips Socket	 Drill	 Tape Measure	 Marker	 Corrosion Inhibitor	 Pull Wire	 Cleaning Supplies



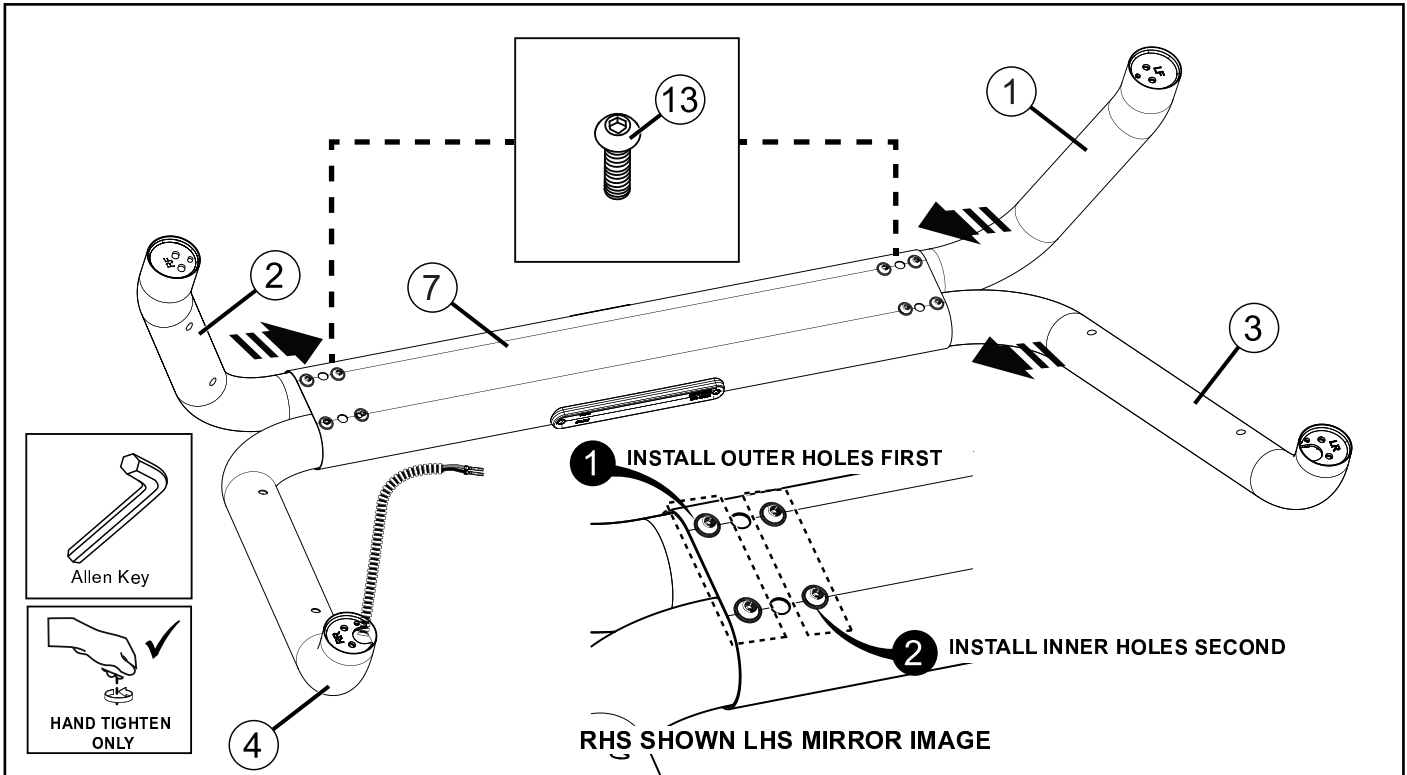
1. Thoroughly clean and dry the vehicle and tub around the installation areas.



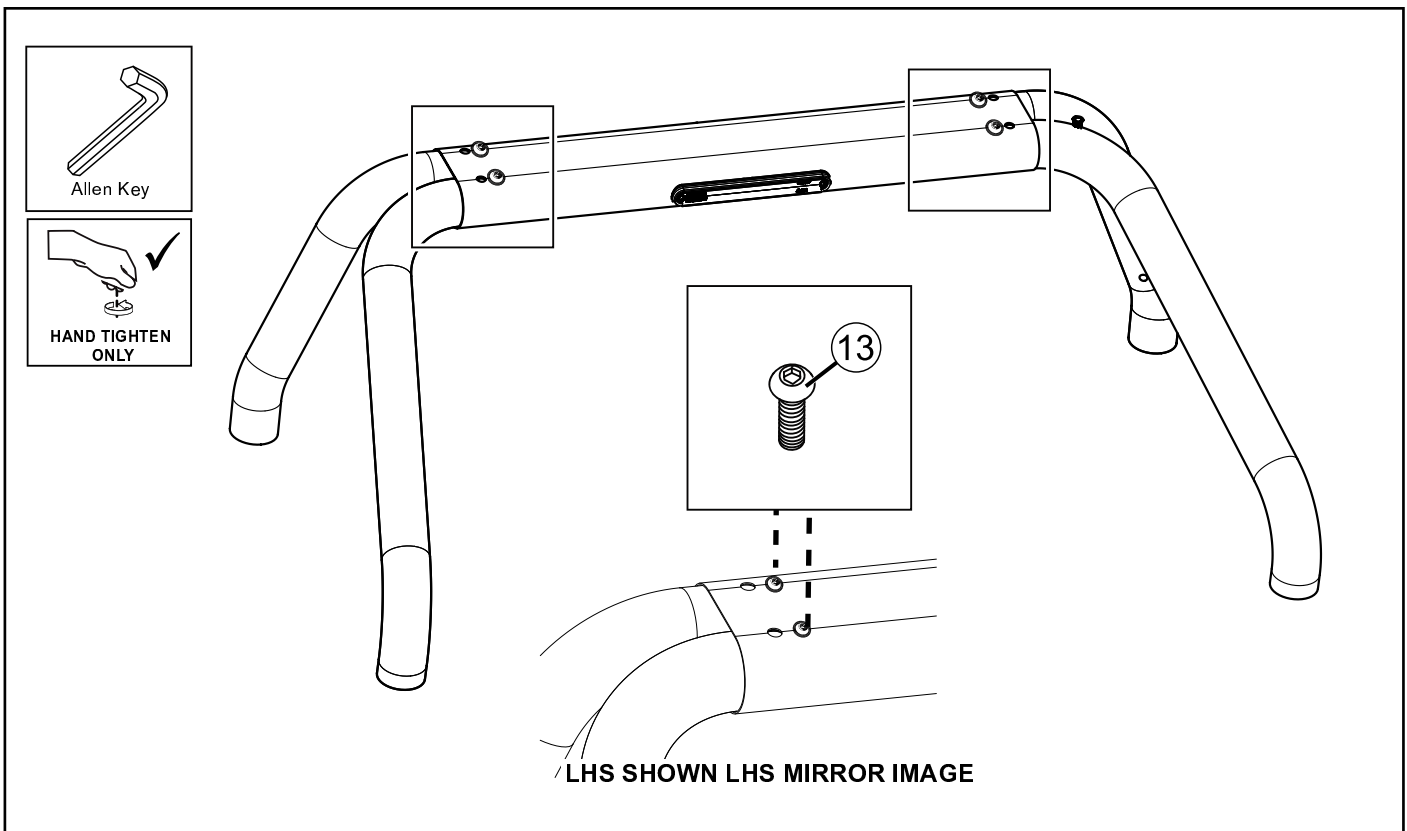
2. Place the Centre Bar (7) on a soft surface so that the side with six holes per side is facing up (this is the underside of the part) Locate the Stop Lamp Wiring Loom inside the Centre Bar (7) and pull through as shown. Insert a wire or piece of string through the gap in the foot of the Rear RHS Leg 'RR' (4), align it with the bar and use this to pull the stop lamp loom through the leg. Remove the pull wire when complete.



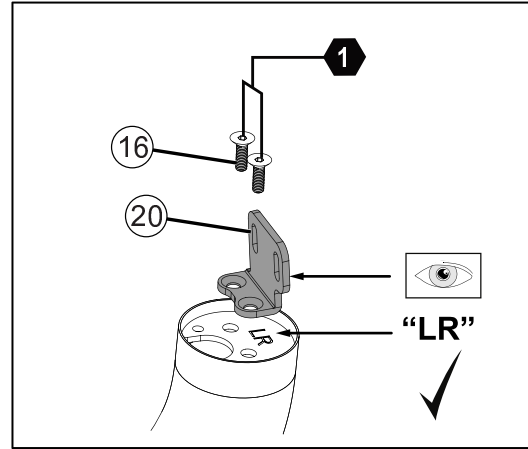
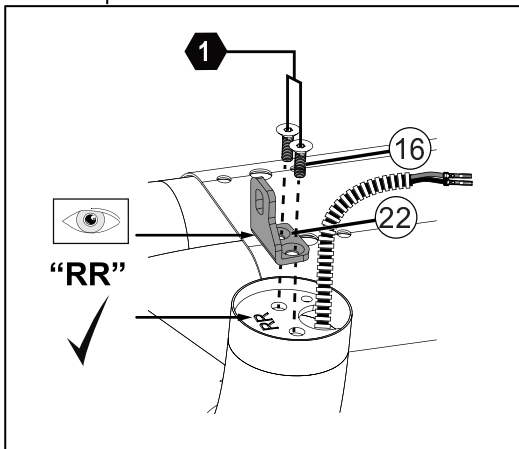
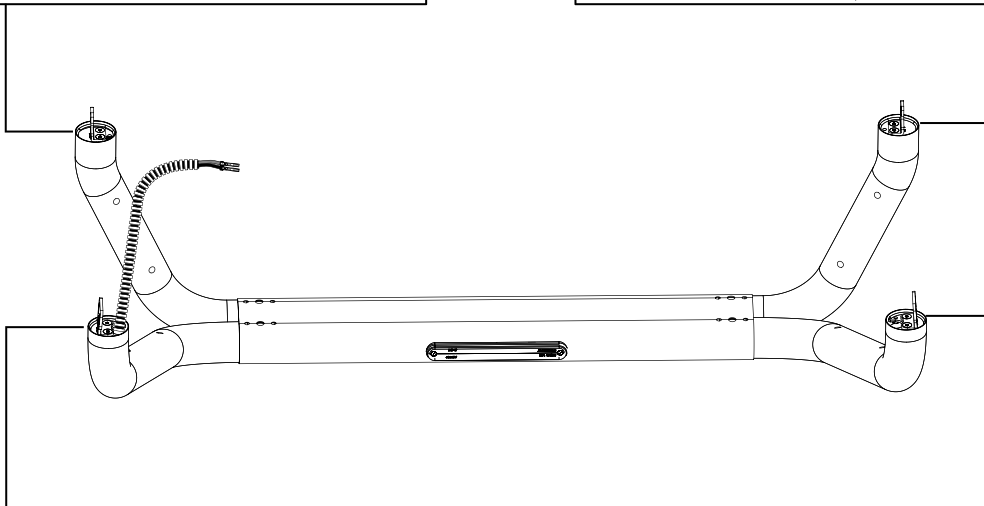
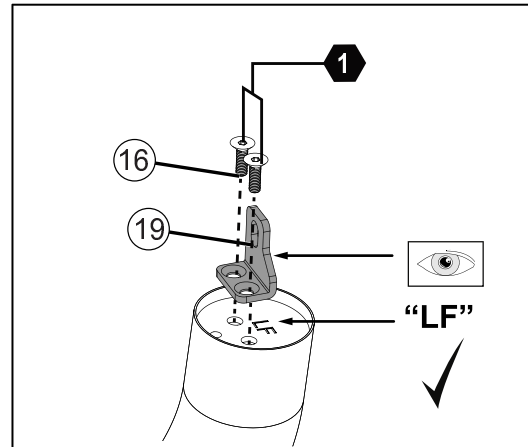
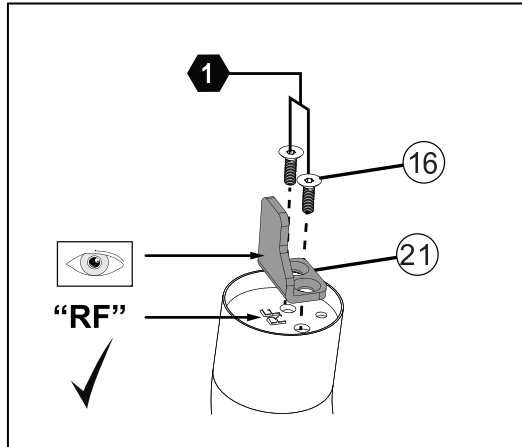
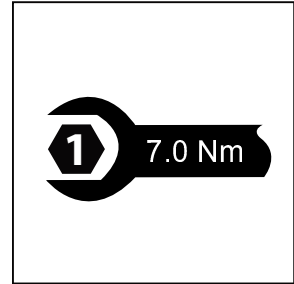
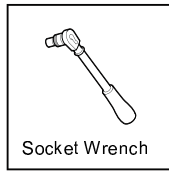
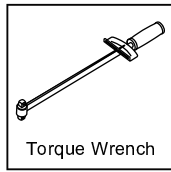
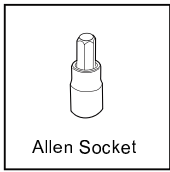
3. Carefully slide the Right Hand Side Rear Leg 'RR' (4) into the bar ensuring loom wire is not crimped or damaged and align the hole in the leg with the outer facing hole shown in the Centre Piece (7). Fasten the leg to the Centre Piece (7) outermost hole with the M8x30mm Screws (13). Do not fully tighten screws.



- 4.** Slide the remaining legs Left Hand Side Rear Leg 'LR' (2), Right Hand Side Front Leg 'RF' (2) and the Left Hand Side Front Leg 'LF' (1) into the bar.
- 1** Fasten the legs to the Centre Bar (7) to the four outer holes with the M8x30mm Screws and Star Washers (13)(18). Do not fully tighten the screws.
 - 2** Install the remaining four M8x30mm Screws and Star Washers (13)(18) to the 4 inner holes. Do not fully tighten.

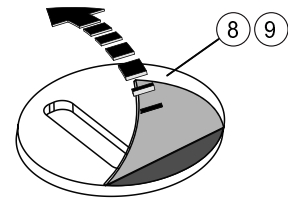
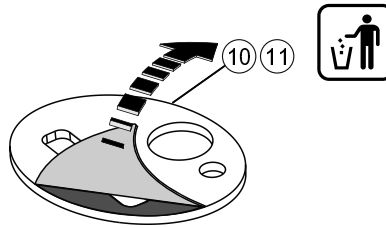


- 5.** Flip the bar over and install the M8x30mm Screws (13) into the four remaining top holes as shown. Do not fully tighten screws.

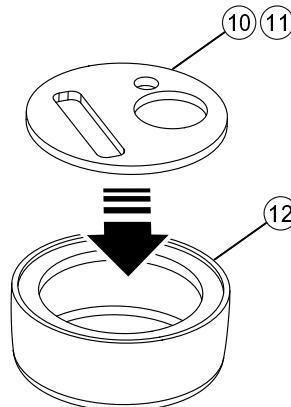


- 6.** Attach the Front Foot Bracket LHS “LF”, Rear Foot Bracket LHS “LR”, Front Foot Bracket RHS “RF”, Rear Foot Bracket RHS “RR” (19,20,21,22) with the M8x25mm Counter Sunk Bkt Screw (16). Torque to 7.0Nm.

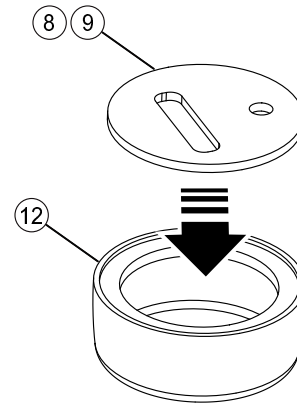
1 PEEL ADHESIVE BACKING OFF GASKET



2 ADHERE GASKETS TO FOOTCUP

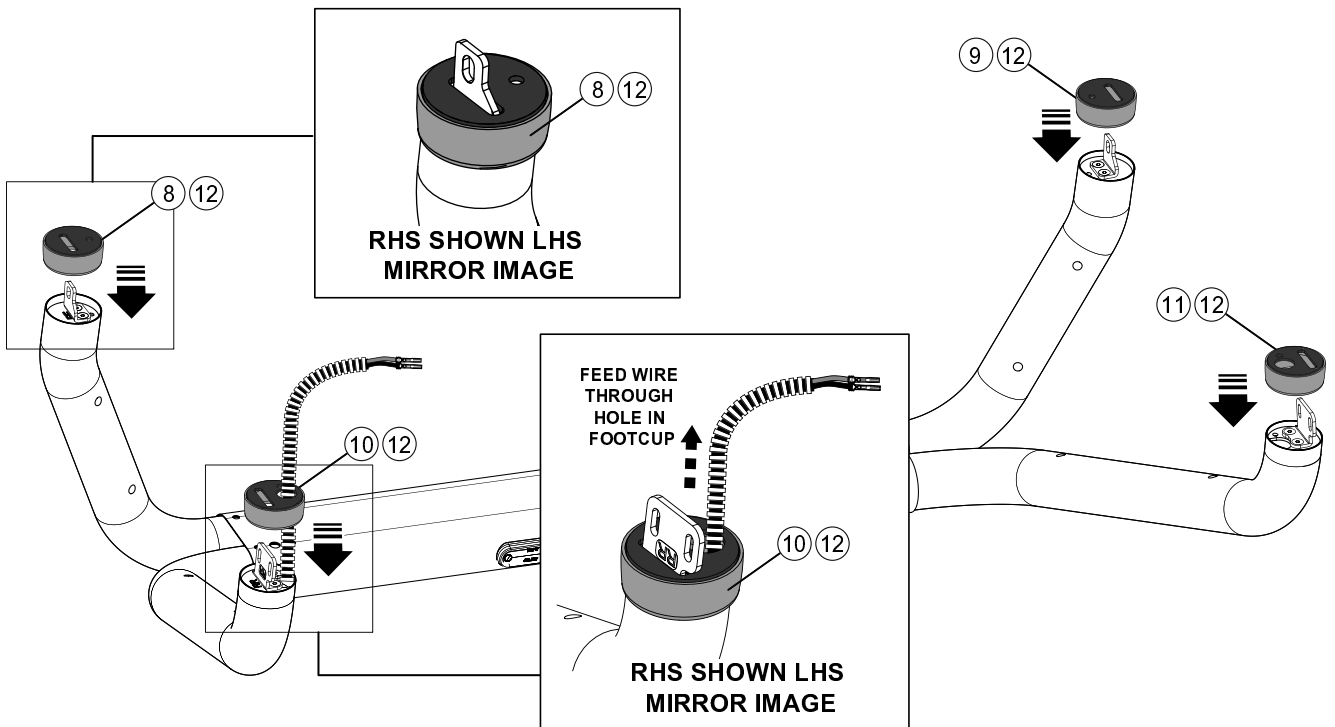


REAR

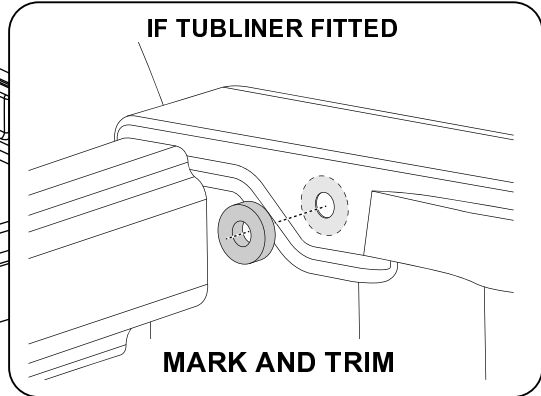
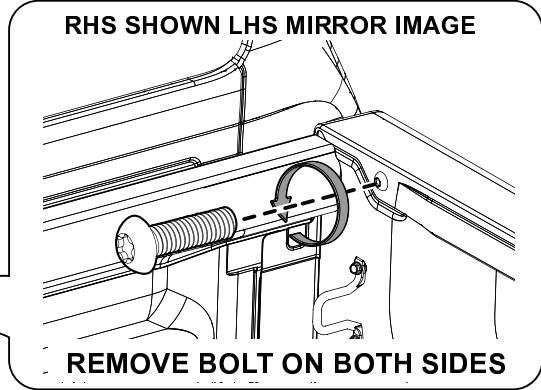
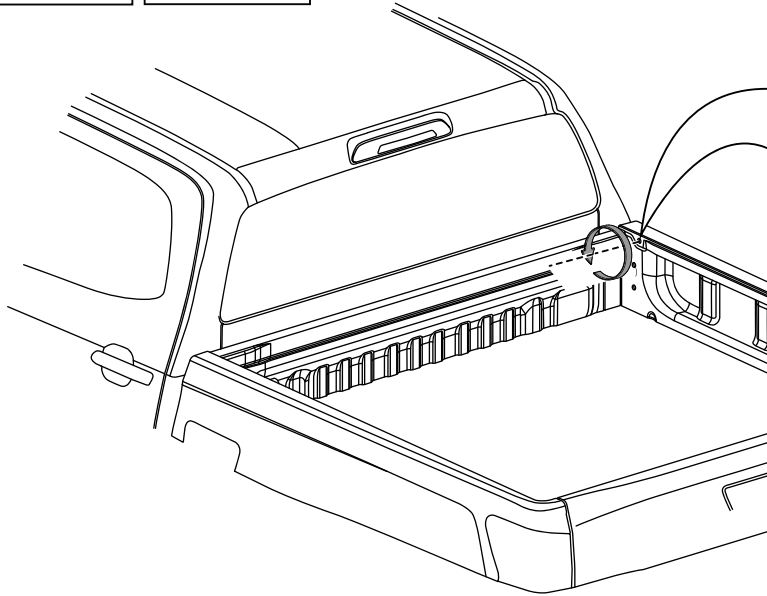


FRONT

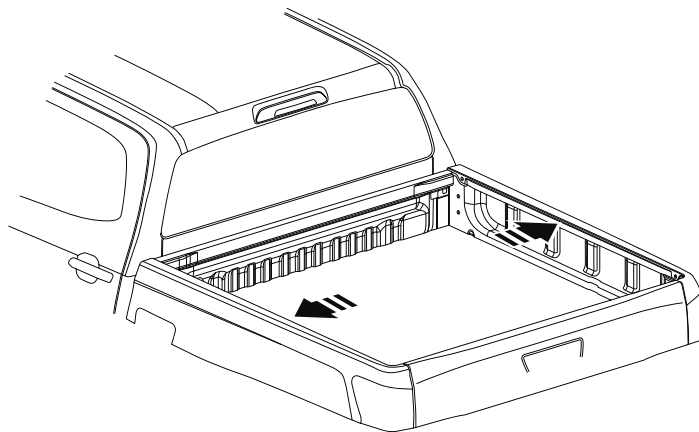
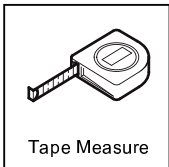
- 7.** Remove protective tape lining from the Front and Rear Foot Gasket LHS/RHS (8,9,10,11) and attach to the Foot Cups (12) .



- 8.** Attach the Front and Rear Foot Cup LHS/RHS assemblies to their respective foot. Ensure that the LED wiring is fed through the hole on the Rear RHS 'RR' Foot Cup (12) as shown.

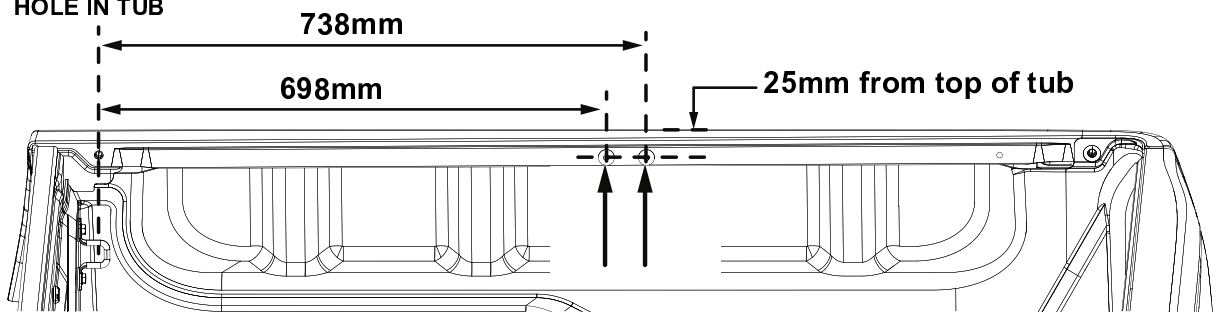


- 9.** Remove and discard the two existing screws in the front top corner of the vehicle tub using T40 Torx driver.
 Note: If a tub liner is installed align the 6mm Spacer (18) with the centre of a the hole, mark the outside of the spacer. Trim the tub liner.



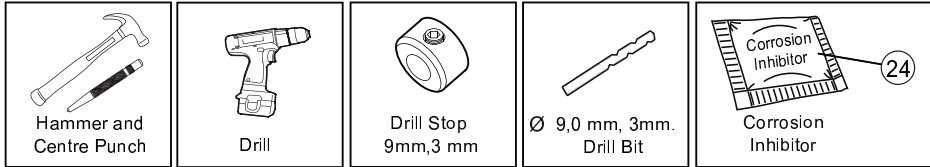
MEASURE & MARK

MEASURE FROM
 EXISTING FRONT
 HOLE IN TUB

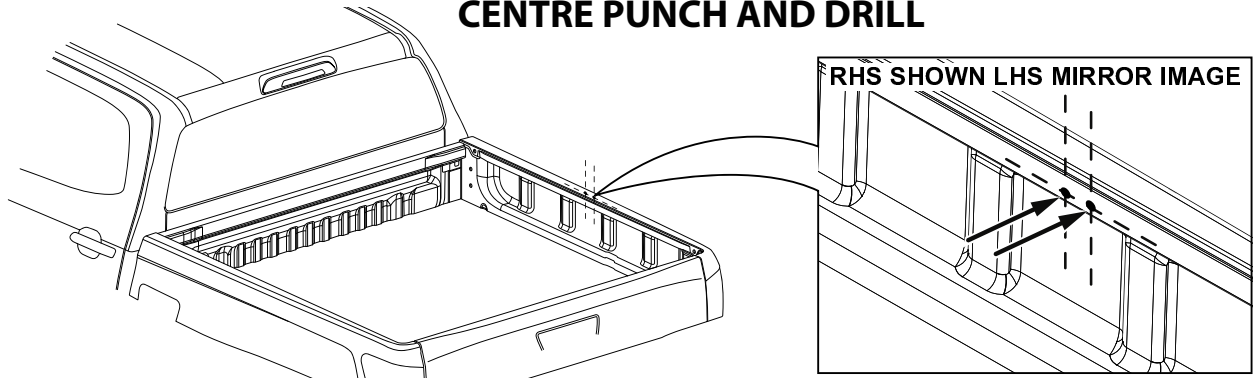


SIDE OF TUB : RHS SHOWN LHS IS A MIRROR IMAGE

- 10.** Measure and mark the location of the holes on the side of the tub for the rear Sports Bar bracket bolts.



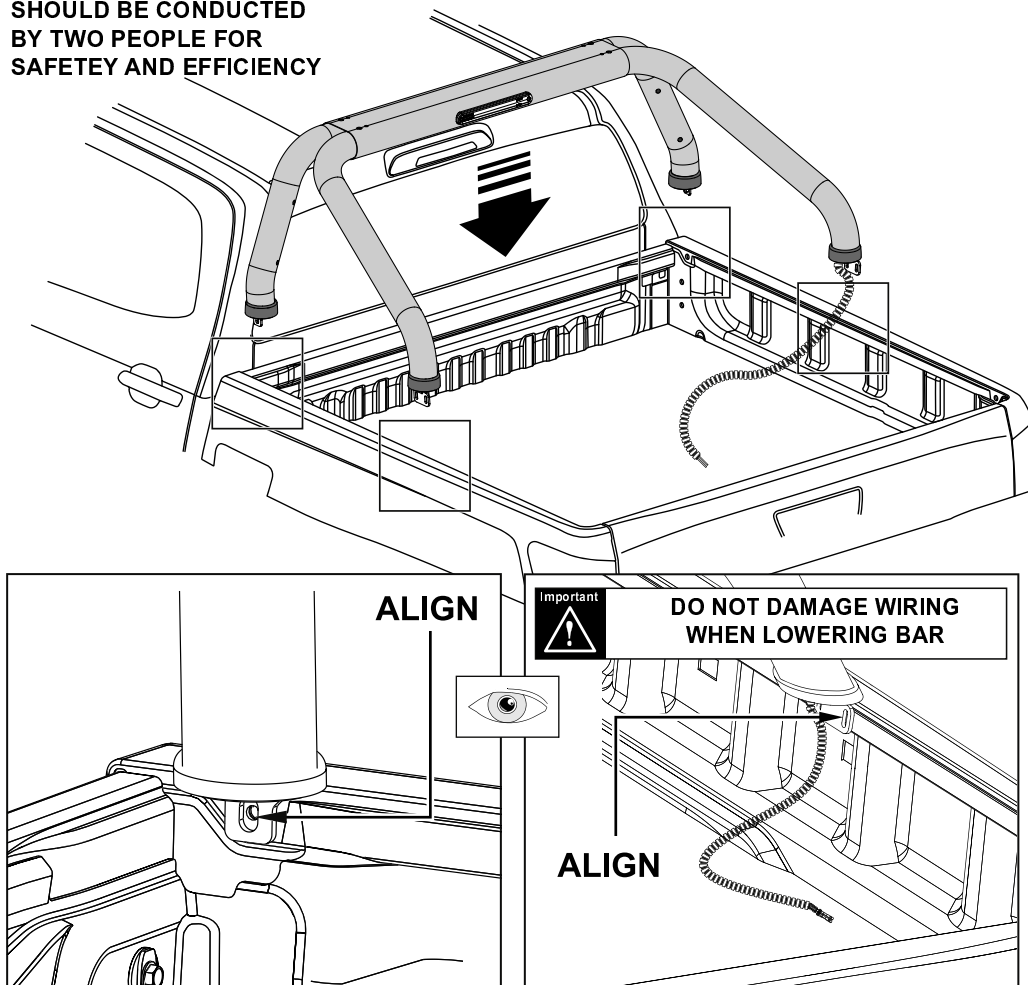
CENTRE PUNCH AND DRILL



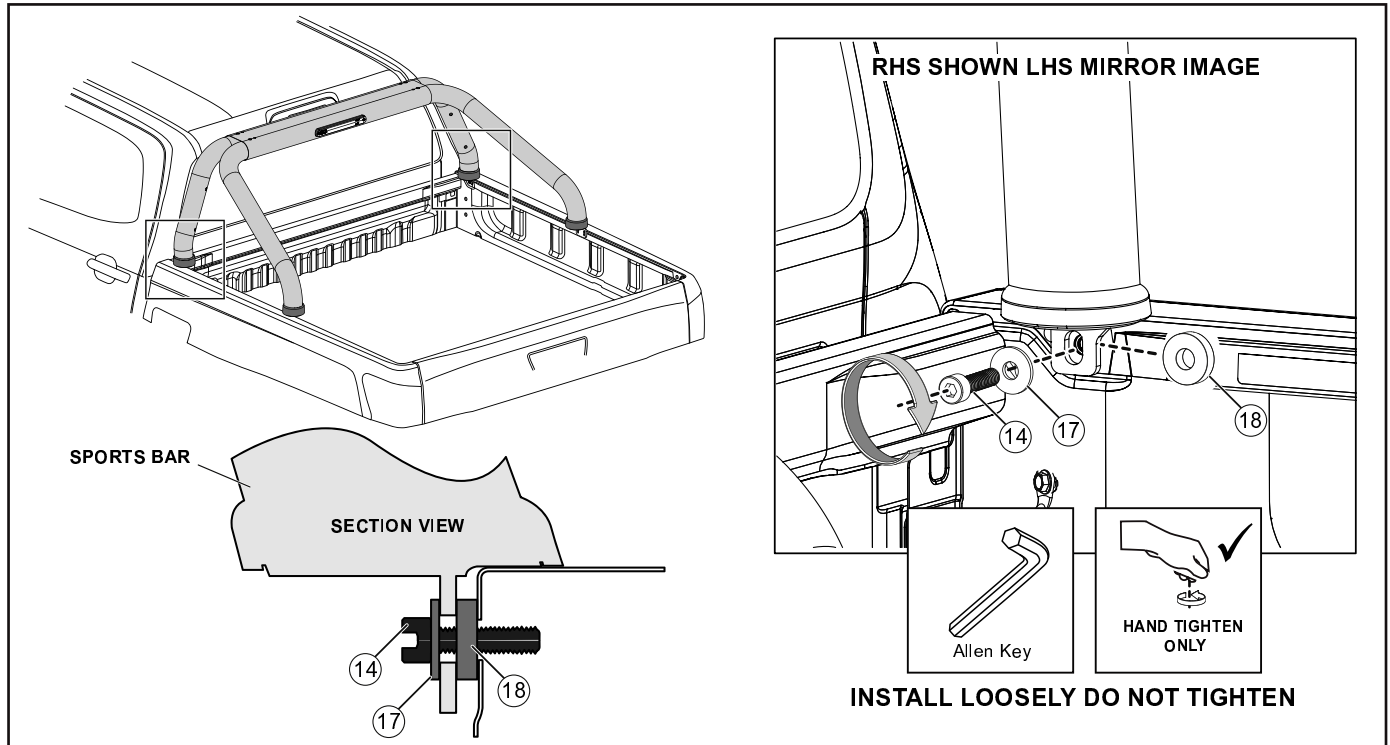
- 11.** Centre punch the hole locations and drill 3mm pilot holes followed by 9mm holes using a drill stop set to 10mm. Clean up any metal swarf and apply Corrosion Inhibitor (24) at each hole. Repeat for the other side.



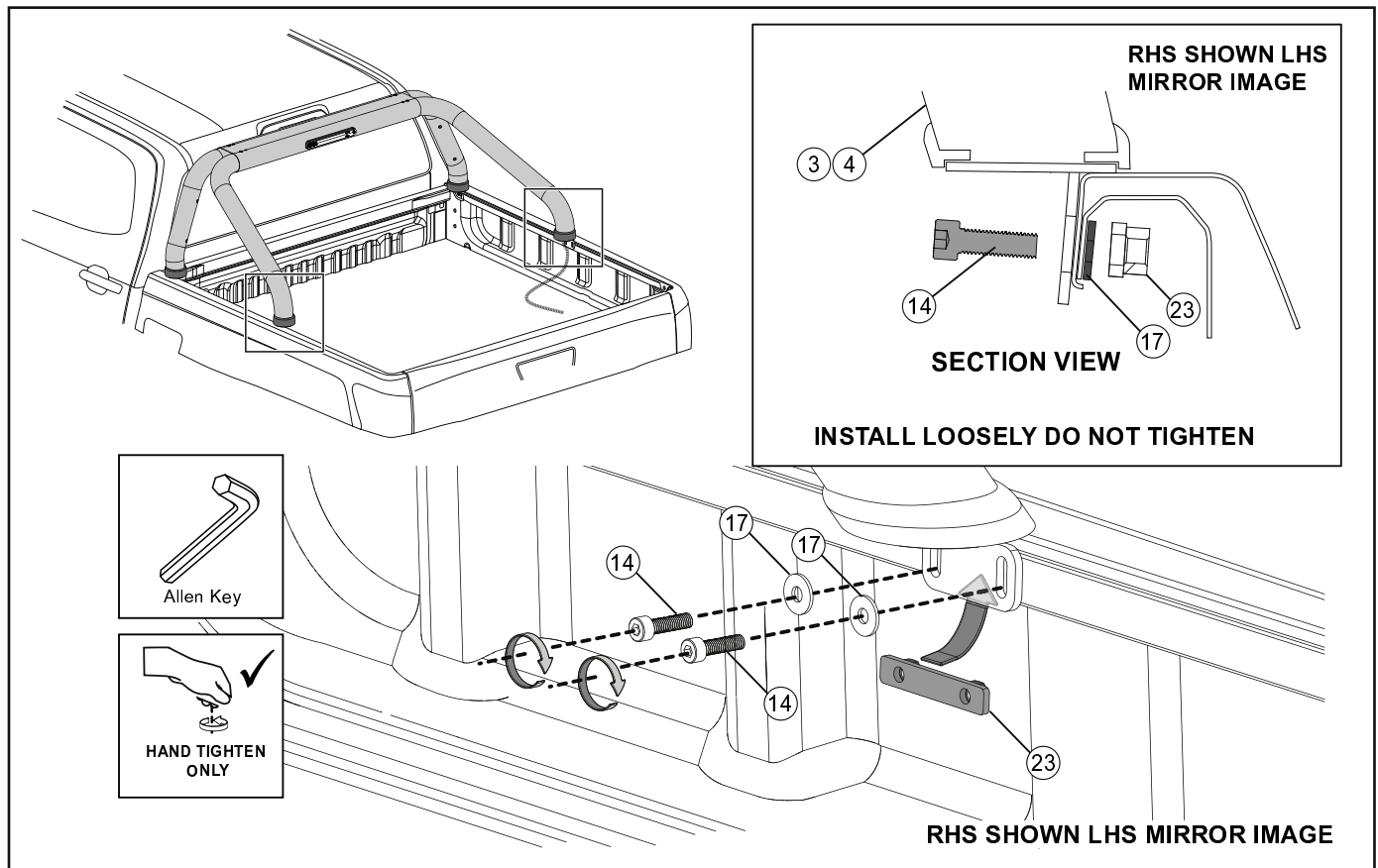
**THIS INSTALLATION
SHOULD BE CONDUCTED
BY TWO PEOPLE FOR
SAFETY AND EFFICIENCY**



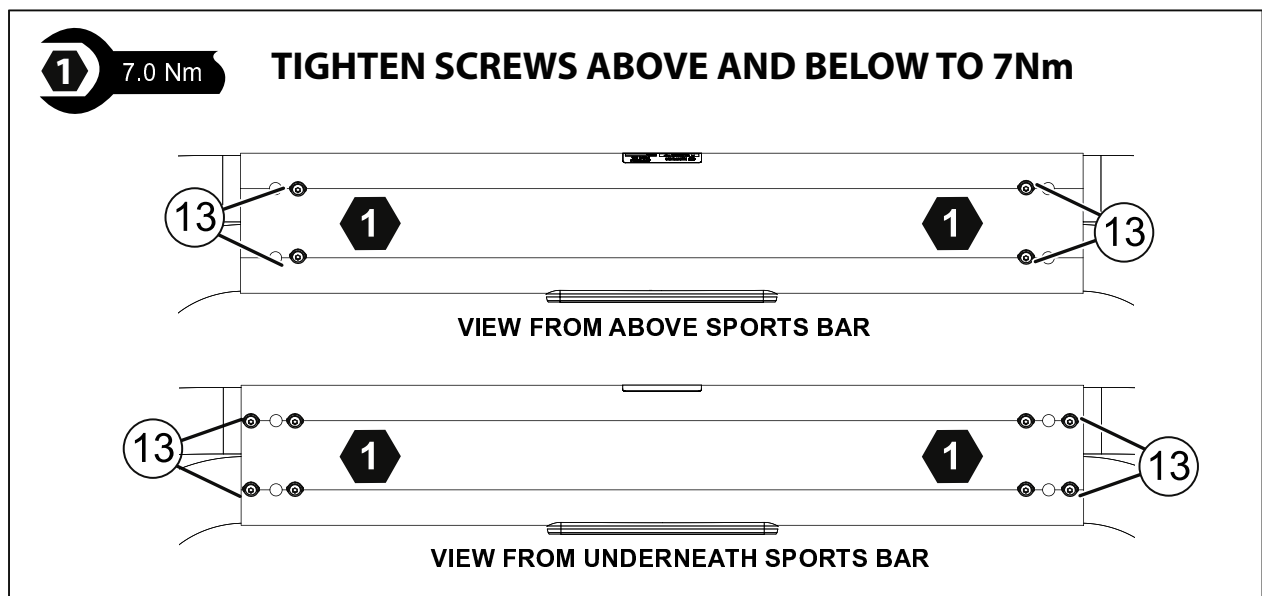
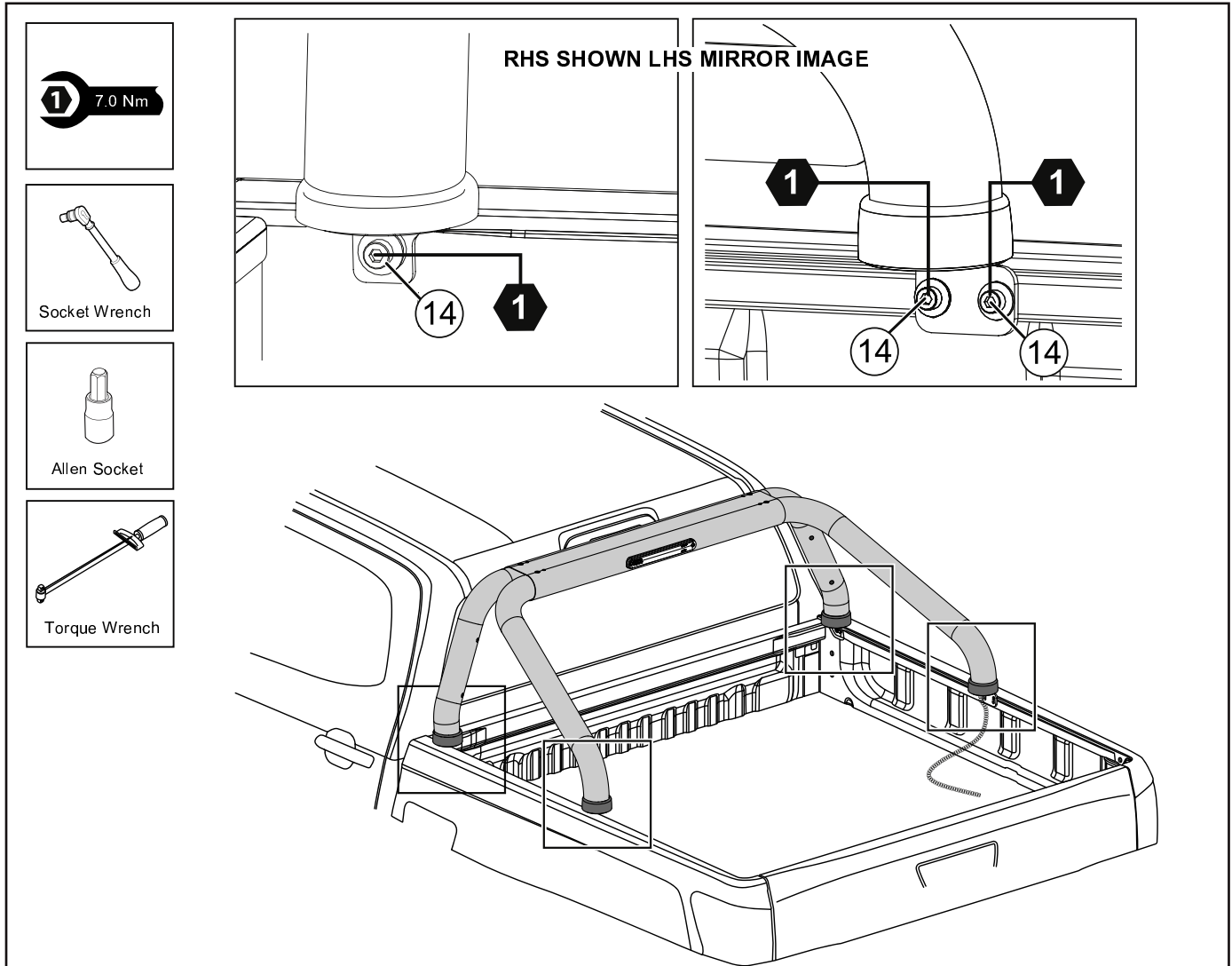
- 12.** Using two people, carefully lower the assembled bar into position on the vehicle tub. Take care to align the front and rear feet and to ensure that the LED wiring is not trapped. The wiring should hang inside the tub.



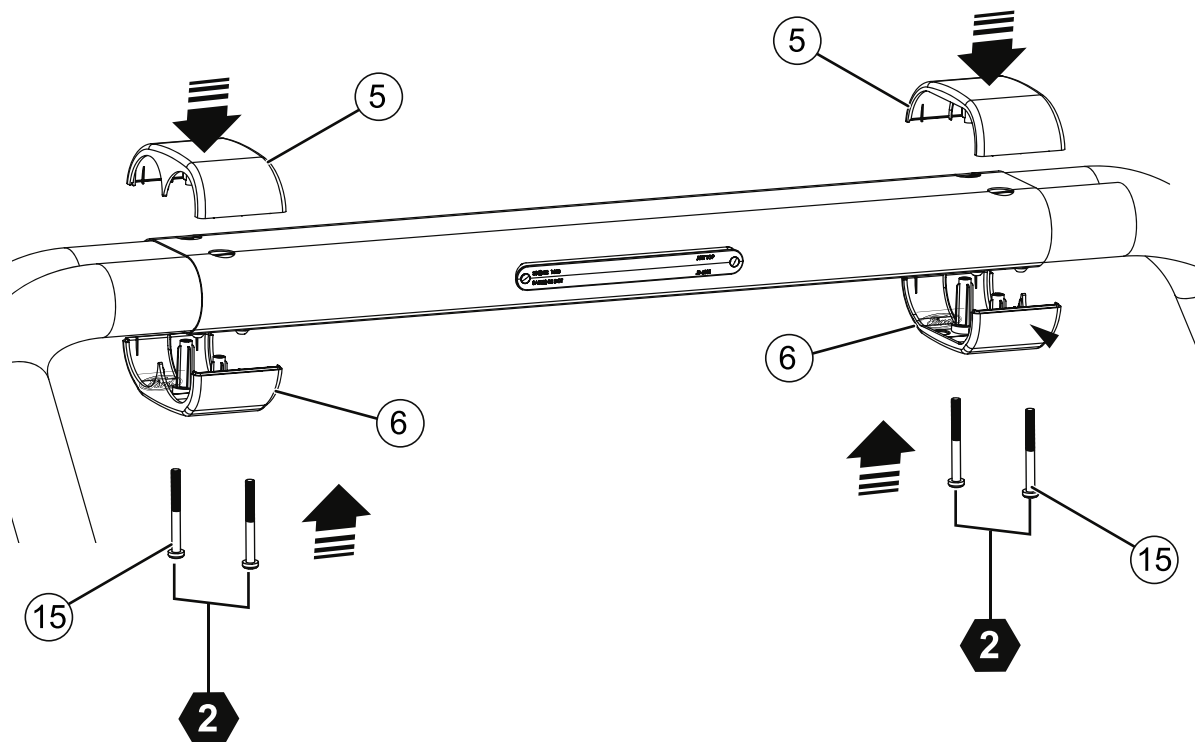
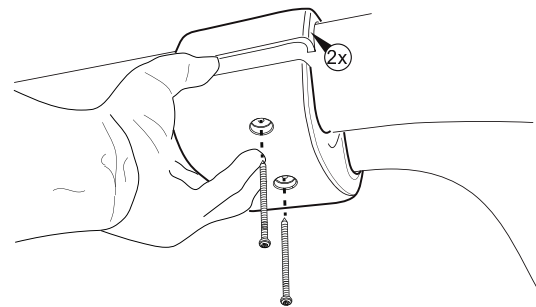
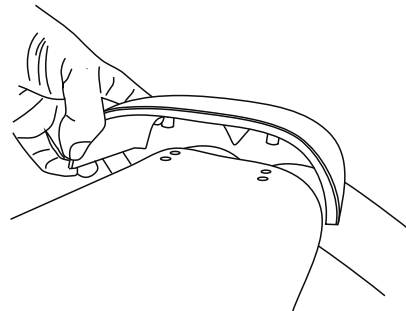
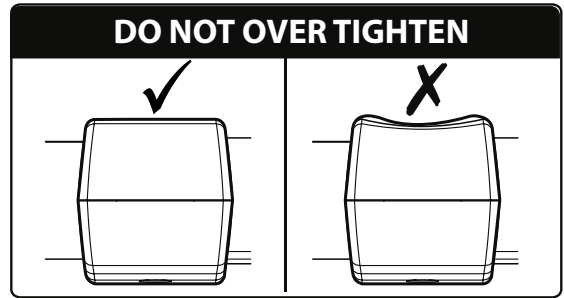
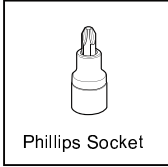
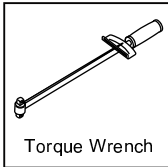
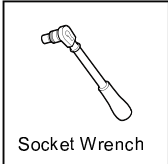
- 15.** Secure the Sports Bar Front Legs (1)(2) to the vehicle using the M8x30mm Leg Bkt Bolt (14), M8 x22mm Flat Washer (17) and a 6mm Spacer (18) as shown. Only hand tighten at this stage. Repeat for the LHS.



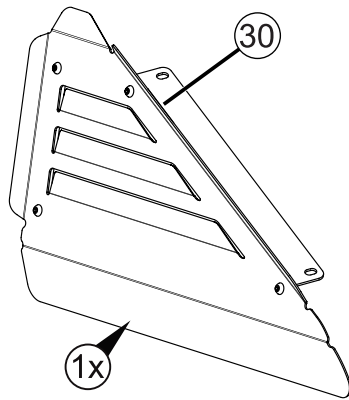
- 16.** Secure the Sports Bar Rear Legs (3)(4) to the vehicle through the drilled holes using the M8x30mm Leg Bkt Bolt (14), M8 x22mm Flat Washer (17) and the Nutplate (23) which is positioned behind the tub rail wall as shown. Only hand tighten at this stage. Repeat for the LHS.



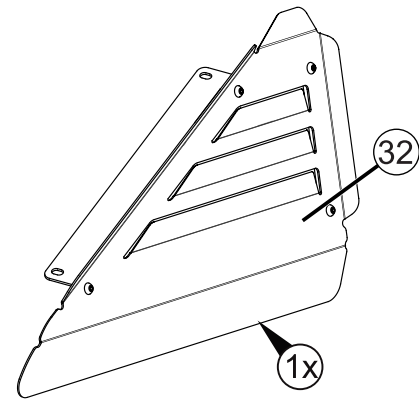
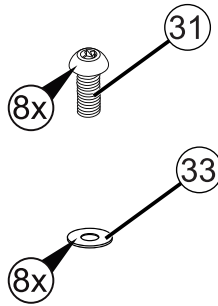
- 17.** Ensure that the Sports Bar is positioned centrally and evenly on the tub, loosen and adjust if needed. Tighten the six M8x30mm Leg Bkt Bolts (14) to a torque of 7.0Nm
- Tighten the four M8x30mm Screws (13) on the top of the Centre Bar to a torque of 7.0Nm followed by the eight M8x30mm Screws on the bottom of the Centre Bar to a torque of 7.0Nm



18. Install the Upper Tube Cover (5) and Lower Tube Cover (6) over the bar and fasten together using the M5x80mm Cover Screws (15). Tighten to 1Nm. Do not over tighten.

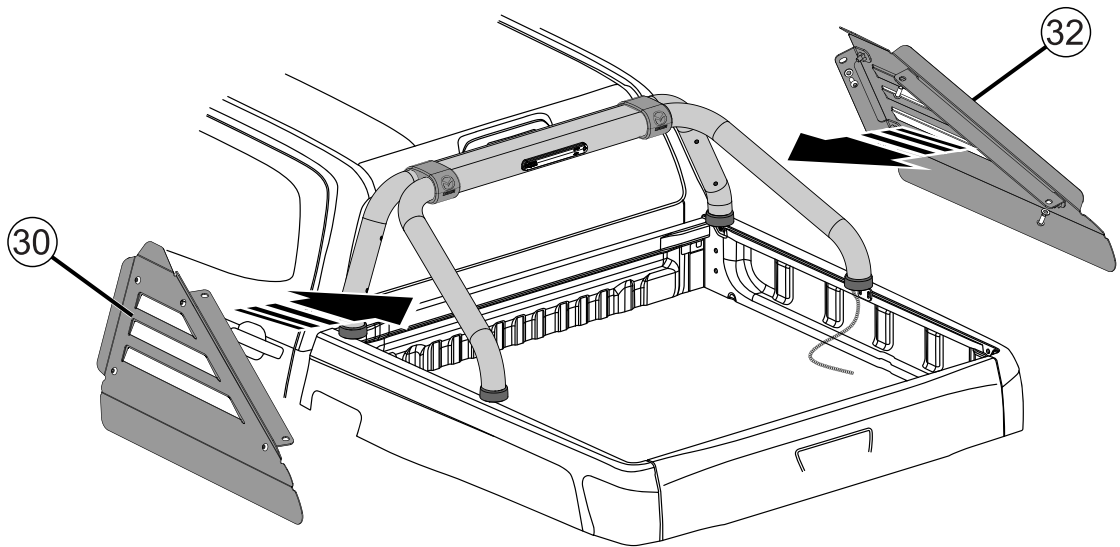
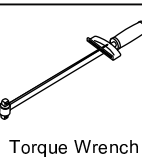
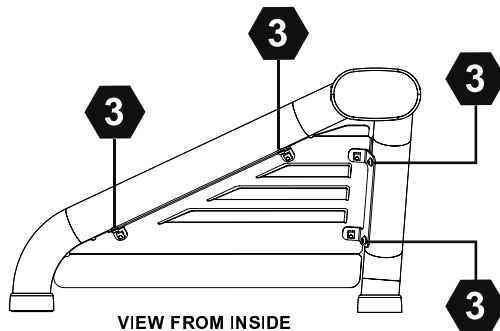
OPTIONAL: SIDEPLATES FOR PREMIUM VEHICLE MODEL ONLY


Side Plate Left Hand Side

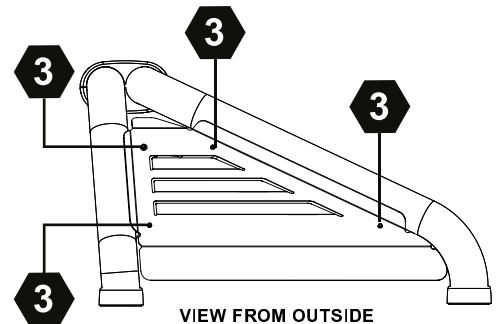


Side Plate Right Hand Side

INSTALL THE LEFT & RIGHT HAND SIDE PLATES

3 27.0 Nm

TIGHTEN ALL BOLTS TO THE SPECIFIED TORQUE


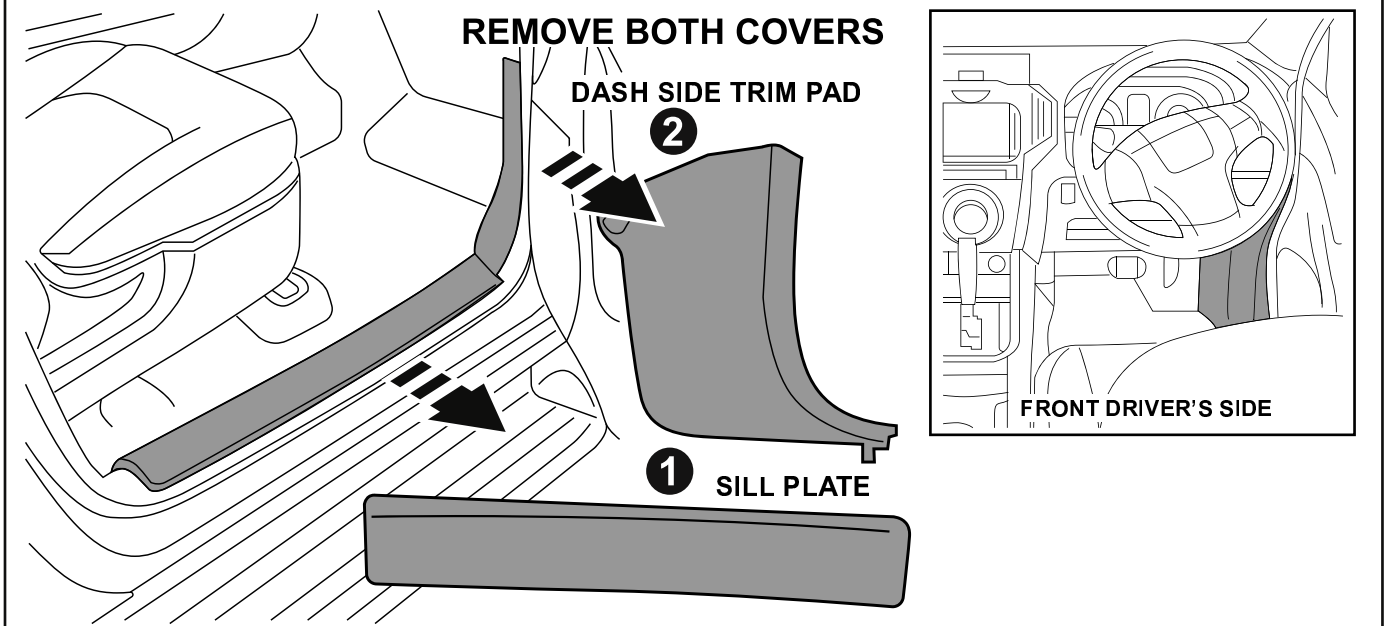
VIEW FROM INSIDE



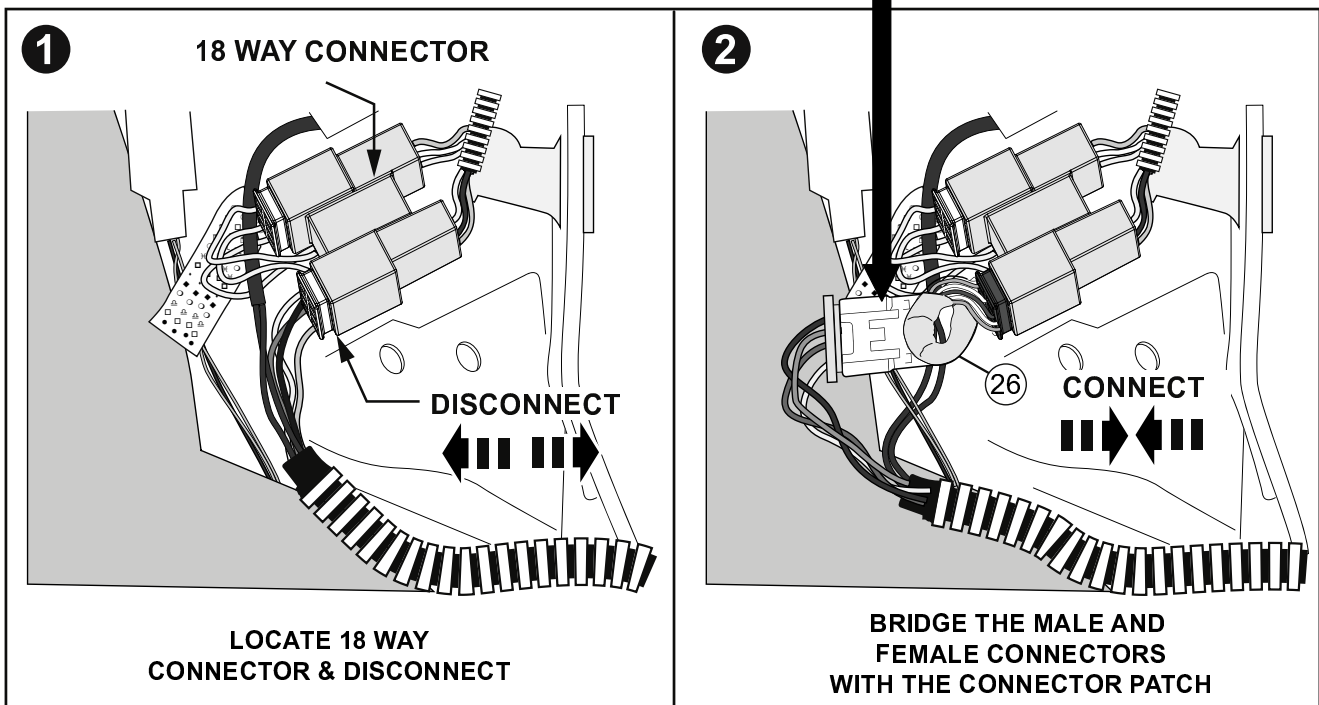
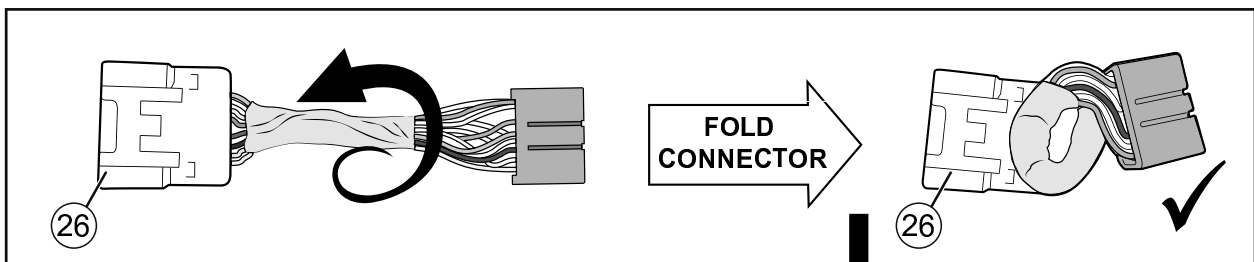
VIEW FROM OUTSIDE

LHS SHOWN RHS MIRROR IMAGE

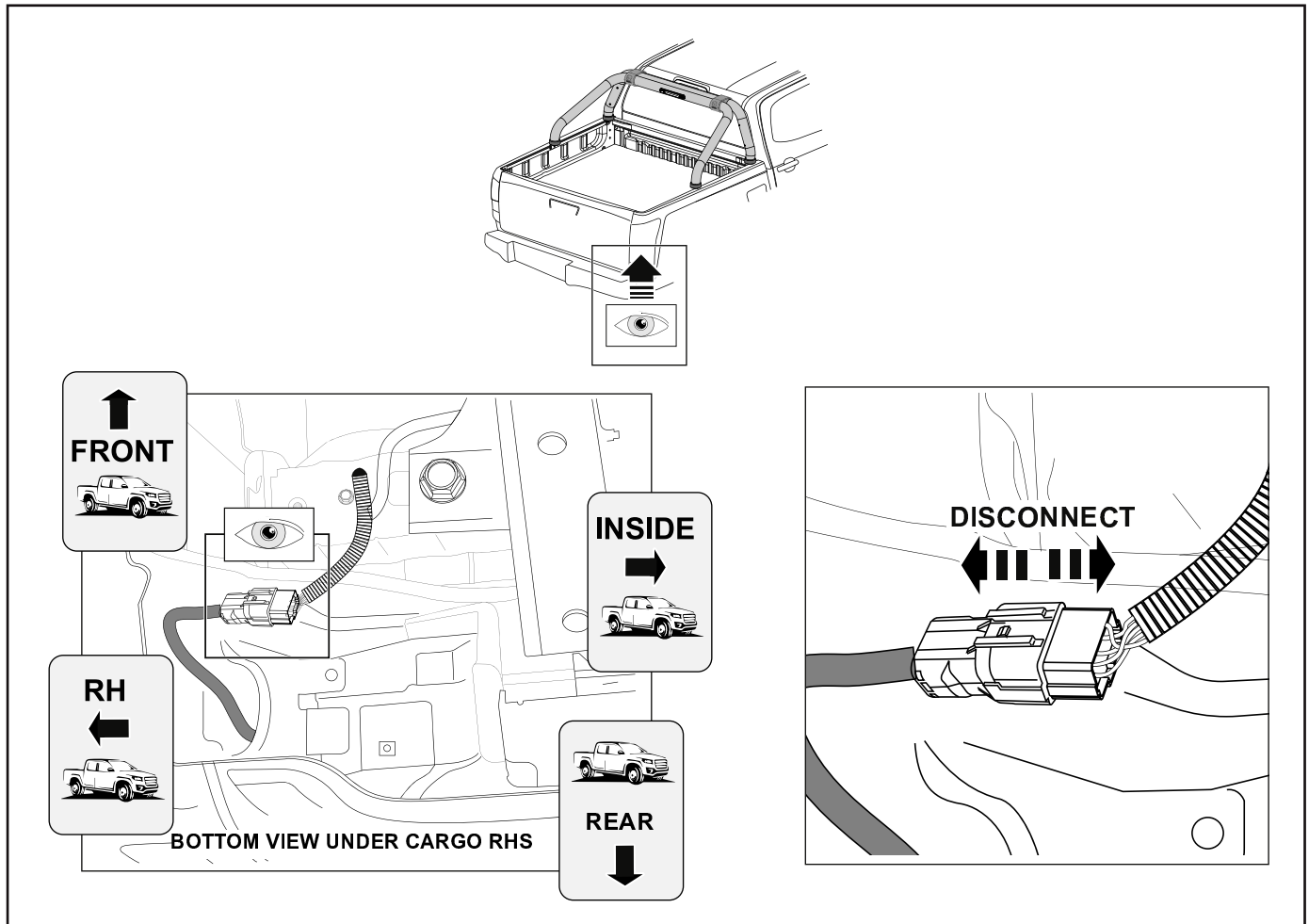
19. For Premium Models Only : Position the LHS and RHS side plates (30)(32) and secure them to the sports bar using the supplied M8x20mm Side Plate Bolts (31) and M8x16mm Side Plate Washers (33). Torque all bolts to 27Nm on both sides.

ELECTRICAL INSTALLATION


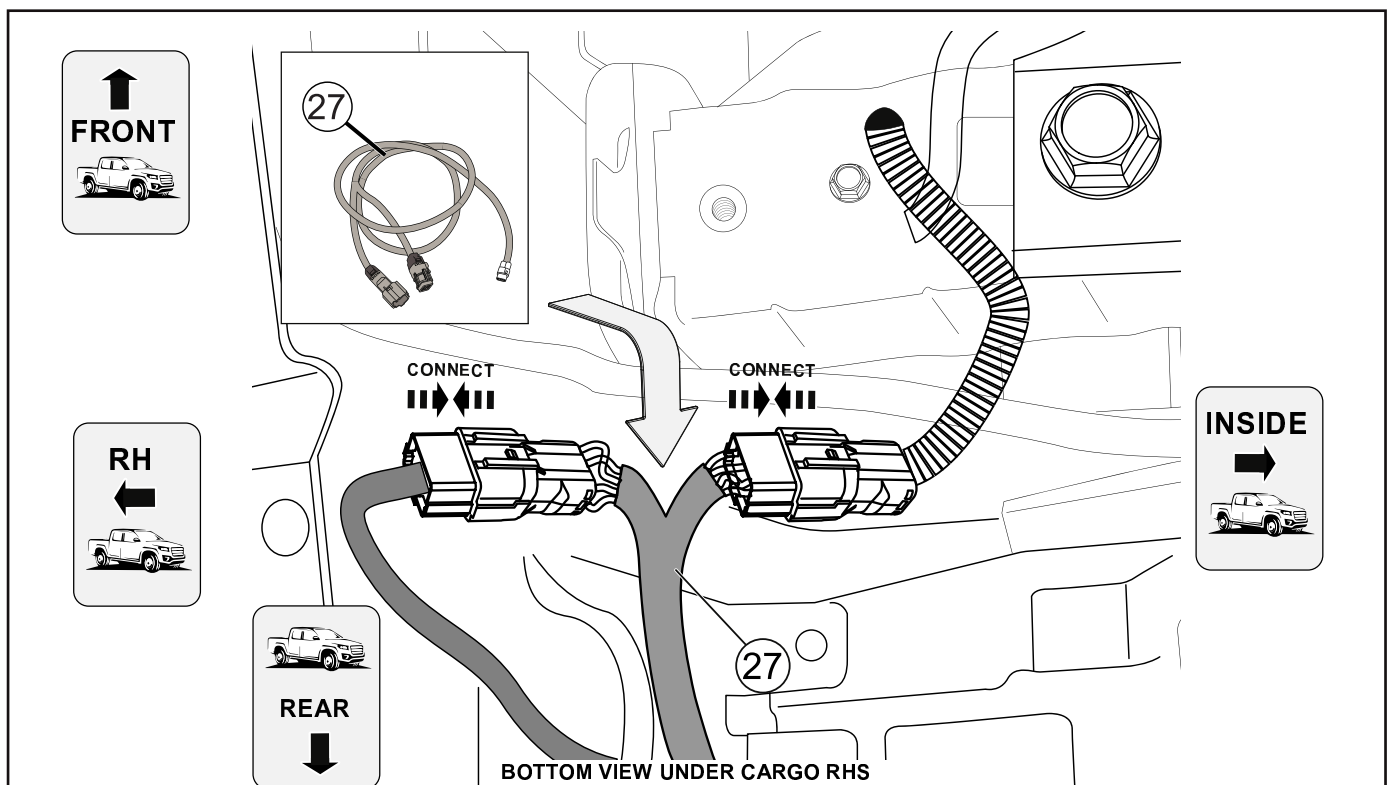
17. Locate the Sill plate and Dash Side Trim Pad, remove and retain both.



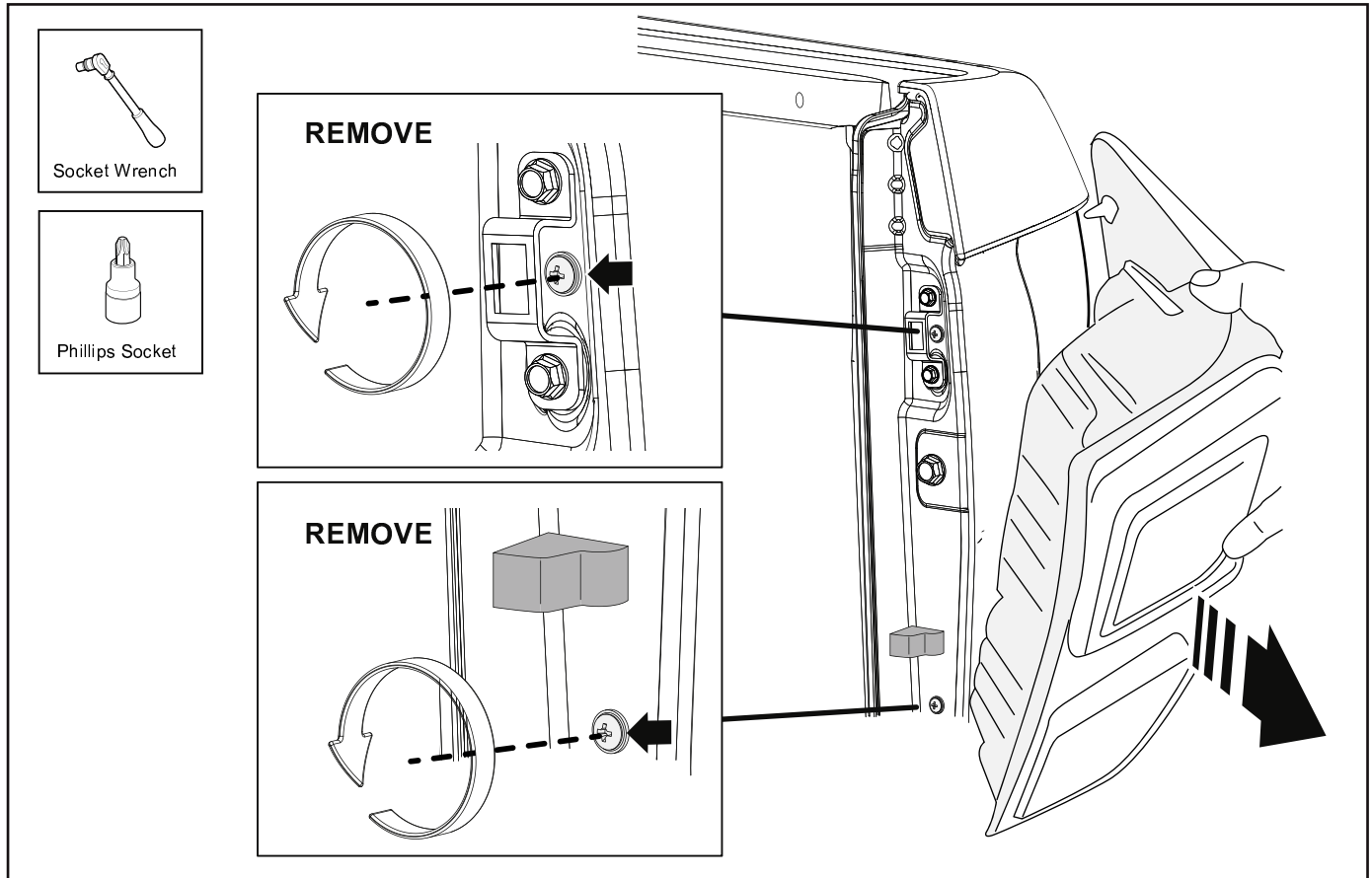
20. Fold the Connector Patch (26) as shown. Locate the 18 Way connector, disconnect and bridge with the Connector Patch (26) as shown.



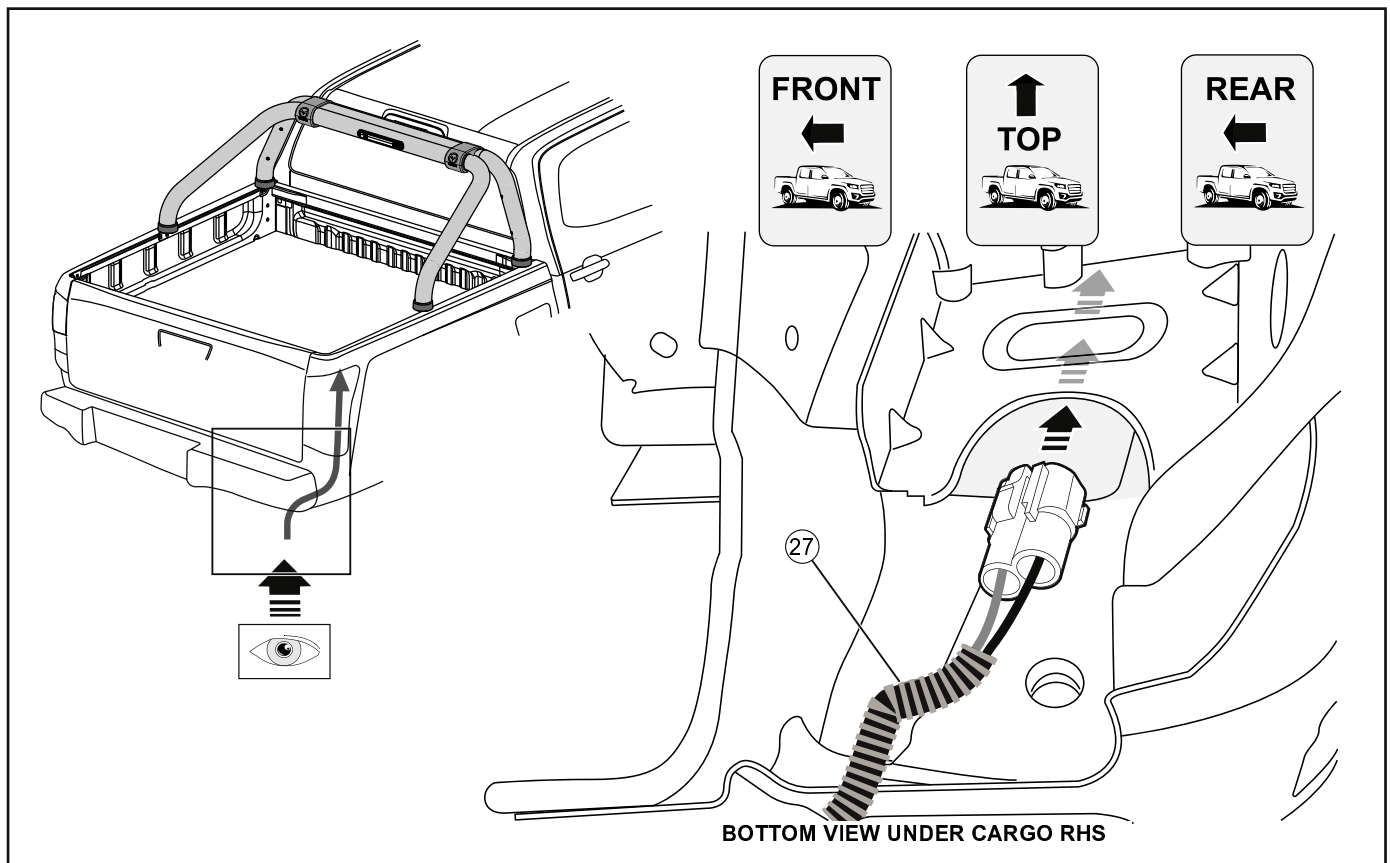
21. Locate and disconnect the RR COMB LAMP RH connector underneath the vehicle as shown.



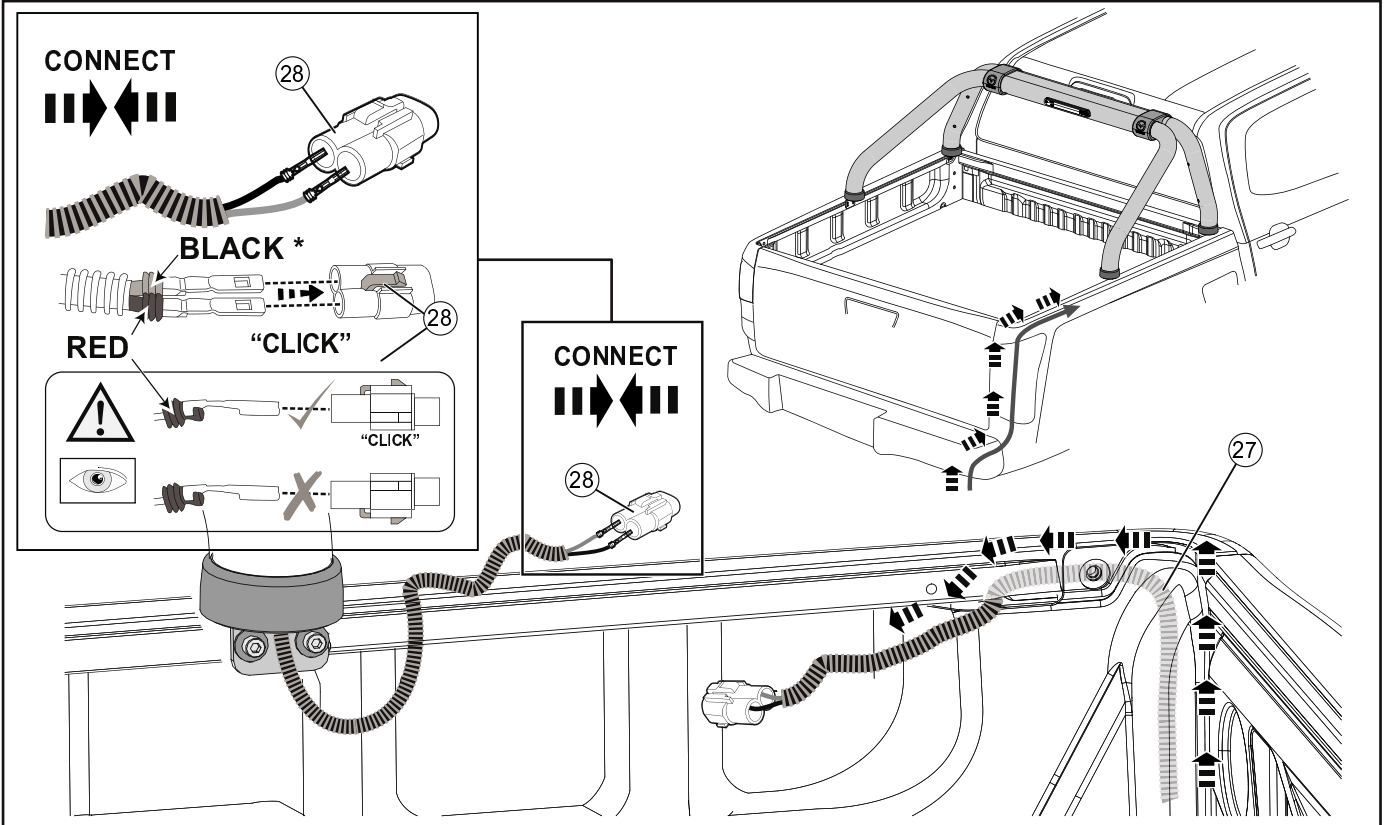
22. Bridge the male and female connectors from the RR COM BLAMP RH with the Extension Harness (27).



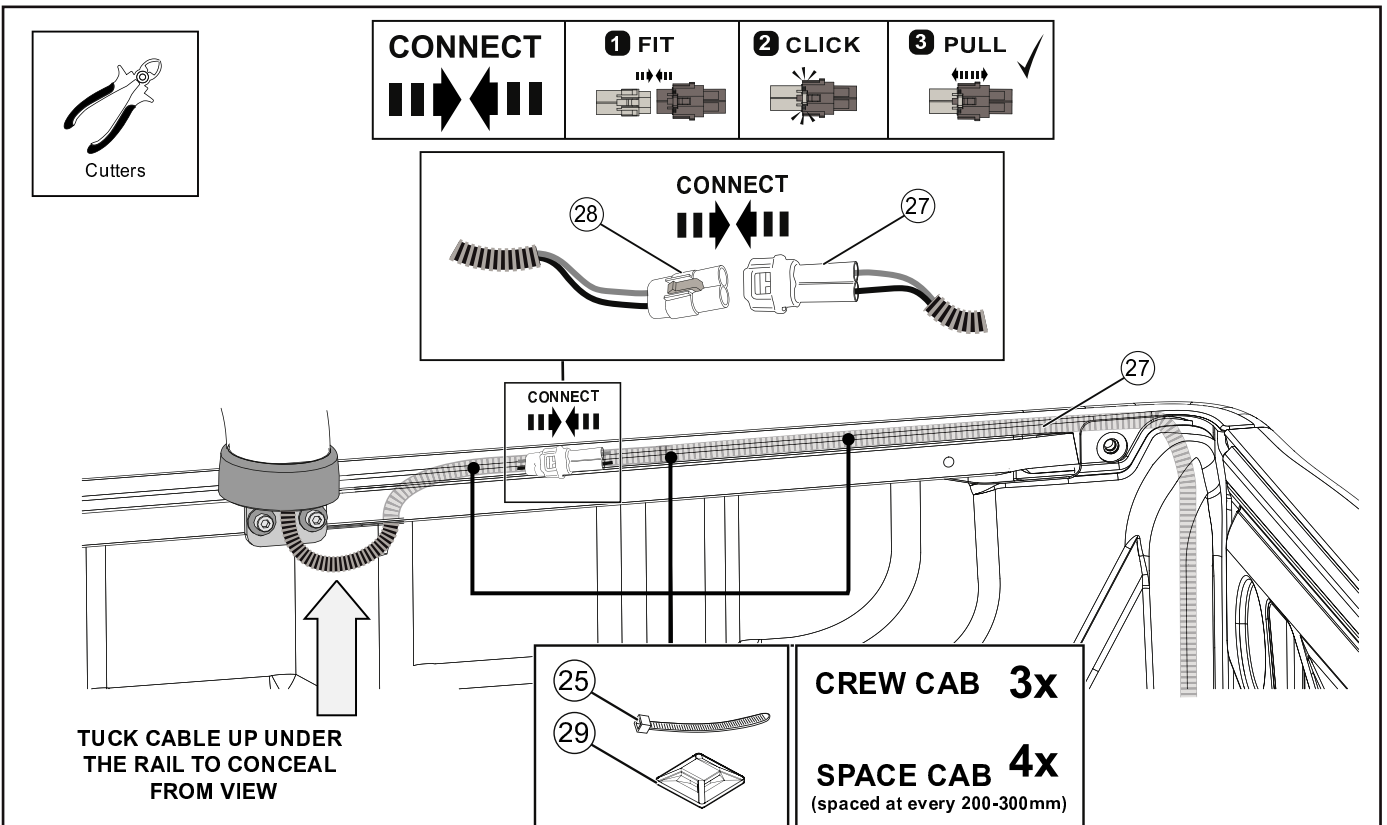
23. Open the tailgate and remove and retain the two screws shown and slide the RR COMB LAMP RH out.



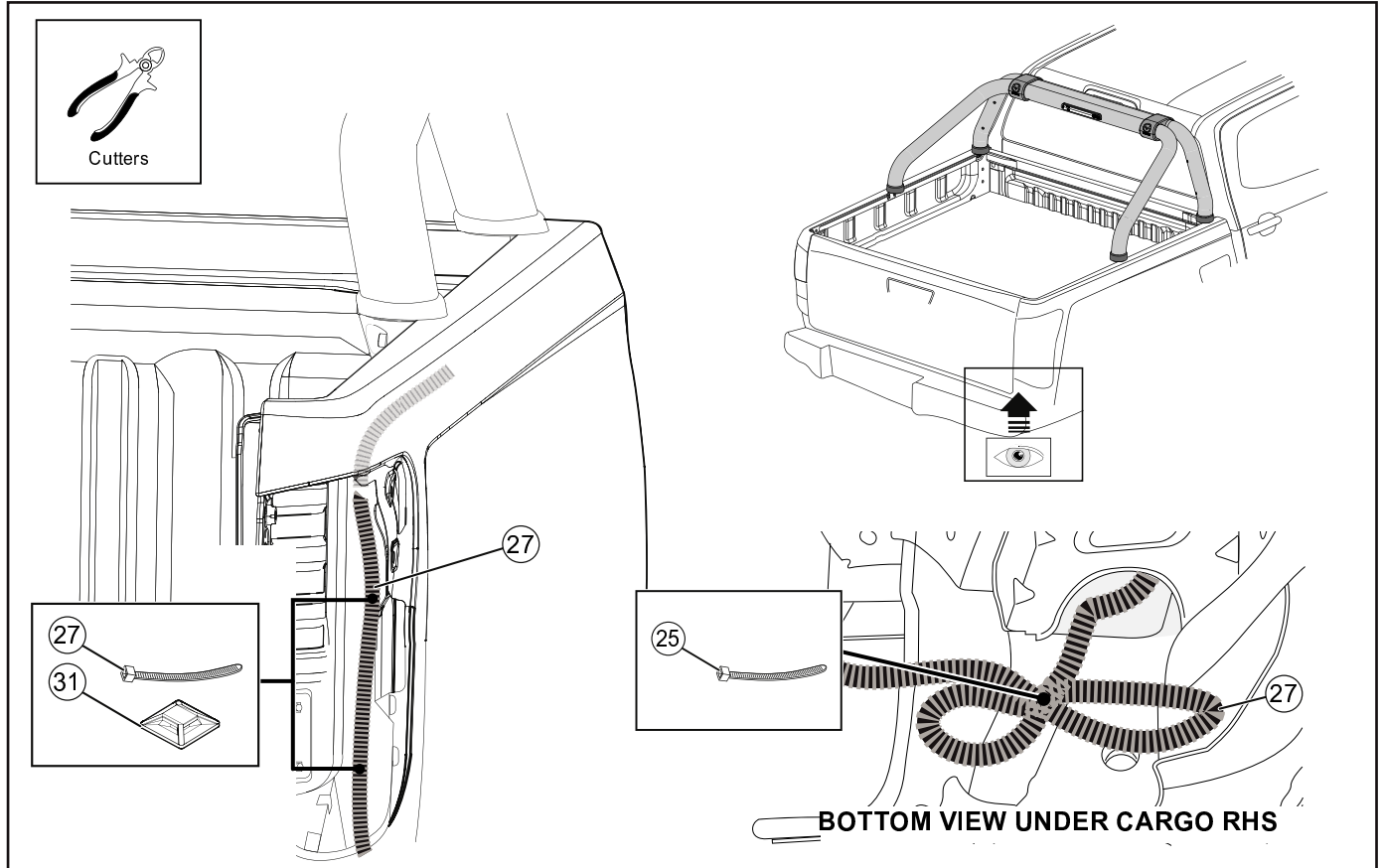
24. Feed the connector of the Extension Harness (27) up through the RR COMB LAMP RH.



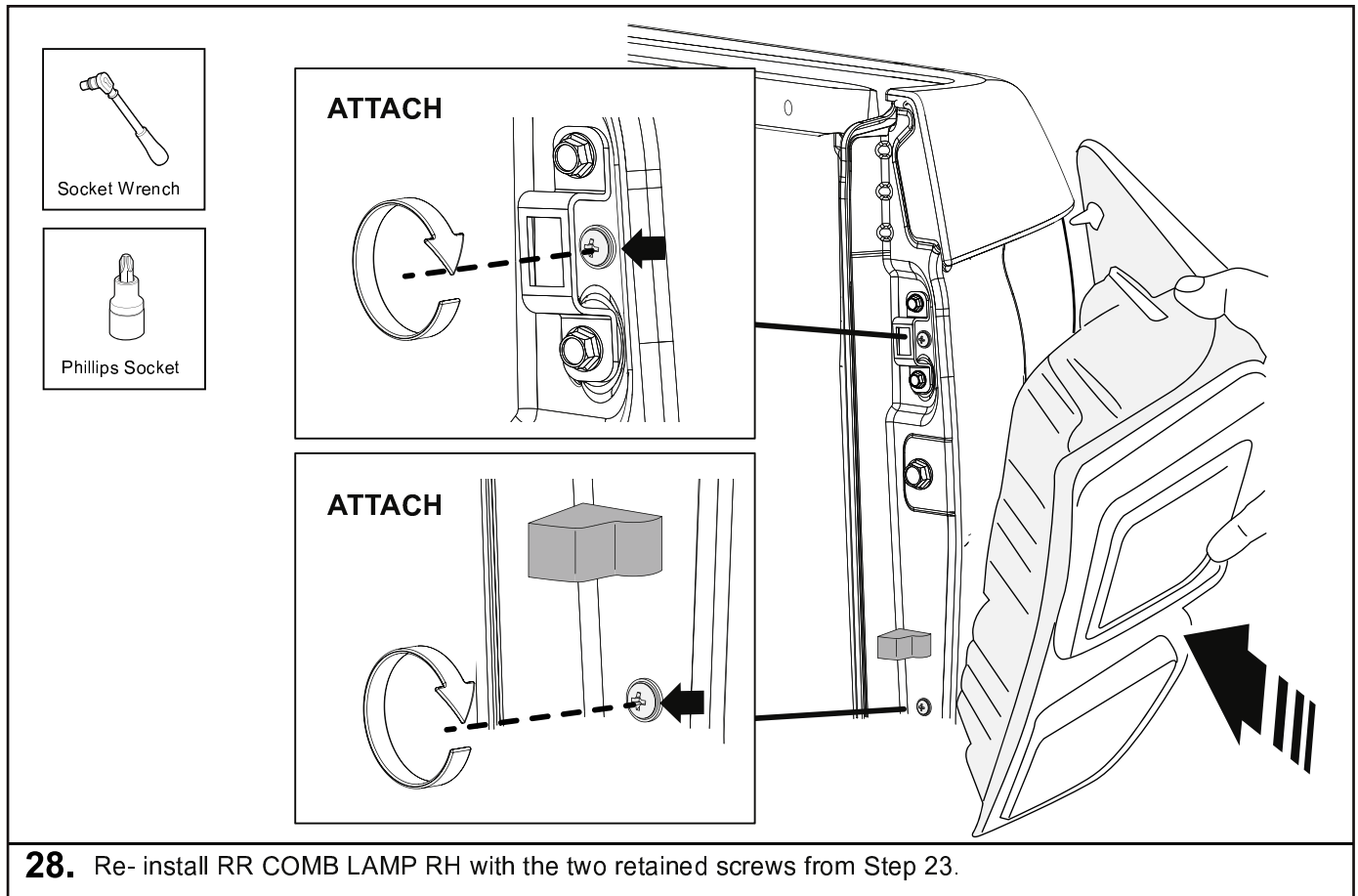
25. Feed the Extension Harness (27) up through the RR COMB LAMP RH cavity, through the small opening between panels and into the tub of the vehicle as shown. Attach the Stop Lamp Plug (28) to the wires from sports bar as shown. **IMPORTANT:** Match the wire colour from sports bar with wires from the tail light.



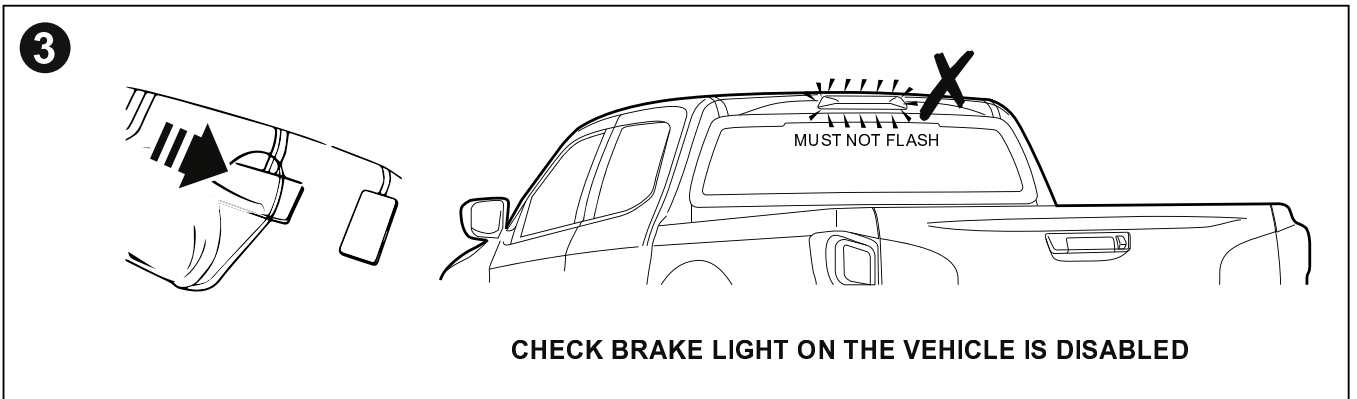
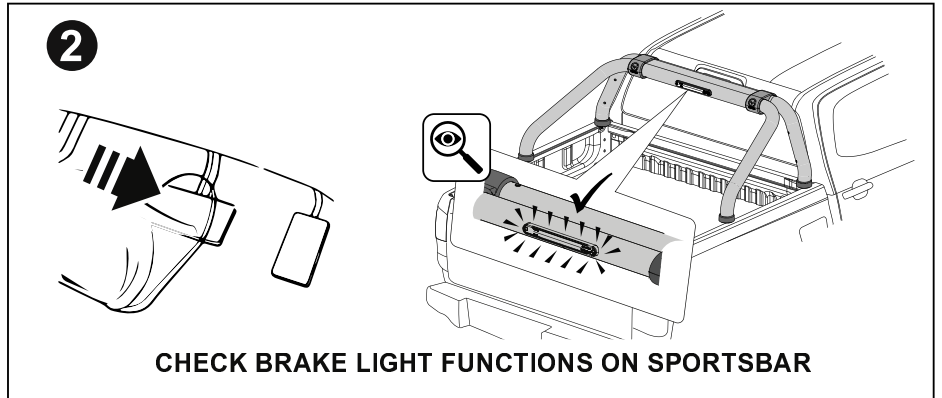
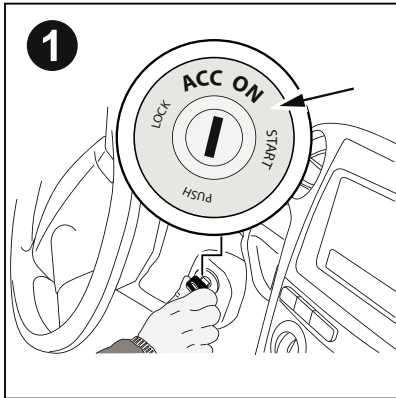
26. Connect Extension Harness (27) up to the Sports Bar harness and attach a Cable Tie and Base (25 & 29) to the top underside of the tub rail at the 3 points shown for the Crew Cab Model Vehicle and at 4 points for the Space Cab Model Vehicle (positioned every 200-300mm). Trim cable tie end flush. Ensure harness is tucked up under the rail as much as possible to conceal it from view.



- 27.** Straighten the Extension Harness (27) in the RR COMB LAMP RH cavity and secure with two Cable Ties and Bases (27),(31). Also tidy up the Extension Harness (27) and secure with cable ties under the vehicle. Trim cable tie end flush.



- 28.** Re- install RR COMB LAMP RH with the two retained screws from Step 23.



- 29.** Power up accessories on vehicle, depress the brake pedal and check the function of the LED brake light on the Sports Bar. Check that the brake light on the vehicle is disabled and does not illuminate.
CAUTION: After installation return all parts back to their original position.



IMPORTANT:

CUT-OUT AND STAPLE IN A SUITABLE LOCATION IN VEHICLE'S OWNER MANUAL

MAZDA BT-50 SPORTS BAR



Mazda

LOAD RATING:

Your Mazda BT-50 Sports Bar is rated to 75 kg, when used in conjunction with Ladder Rack Accessory (UP1A-AC-LRP or UP1A-AC-LRB.)

APPEARANCE AND PRODUCT CARE:

FOR POLISHED FINISH:

This Sports Bar is made from aluminium that has been highly polished to a mirror finish. The following regular maintenance actions will be required to remove oxidation and staining from the aluminium surfaces:

Wash regularly with car wash detergent, rinse with clean water and chamois. Stubborn grime can be removed with kerosene. The polished aluminium surfaces can be maintained using Autosol or similar products.

Plastic mouldings can be maintained using Nulon Ezi-Glide silicon spray or similar products.

FOR BLACK POWDER COATED FINISH:

Maintain powder coat finish with standard car care products.

FOR CHROME PLATED FINISH:

Maintain chrome plated finish with standard car care products followed by a suitable chrome polish.

