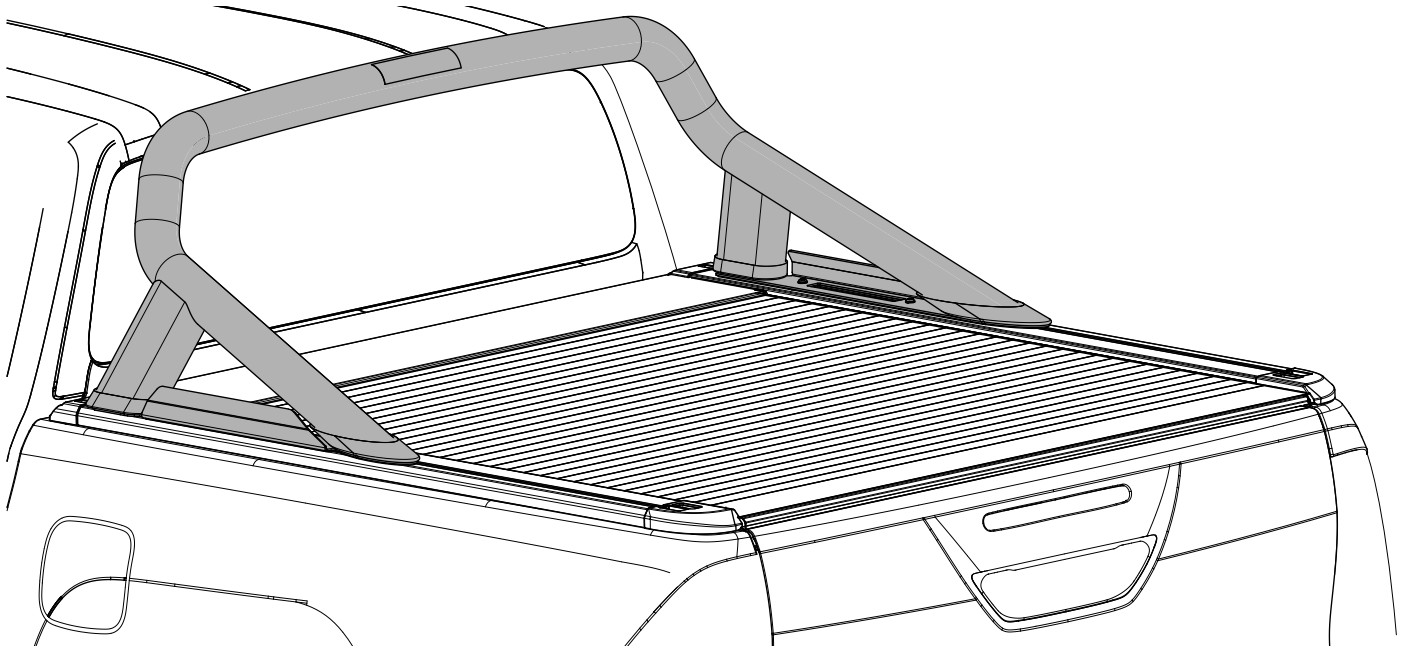


Toy Hil MY19 Sportsbar Adaptor for RollTrac Installation Instructions



Installation Time: Approx. 15 mins

Place these instructions in vehicle's glove box after installation is complete

General Notes

- Read through the fitting instructions before installation of accessory.
- Always install the accessory following the fitting instructions. Failure to do so may cause damage to the vehicle or the accessory.
- Ensure all recyclable discarded vehicle accessory components and packaging are recycled following local recycling regulations.
- It is always recommended that this accessory is fitted by a qualified Technician.
- Safely store and protect any removed vehicle components.
- Ensure all bare metal surfaces are protected using Automotive Bare Metal Primer and touch-up paint.
- Please check content of kit using this list and subsequent sketches.
- Remove all metal swarf and dust from all vehicle surfaces if surface is used for accessory installation.

Safety Notes

- Check that all work practices comply with safety standards.
- Please wear appropriate clothing and use safety equipment.



Care Instructions:

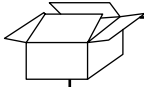


Clean with mild detergent and water solution.



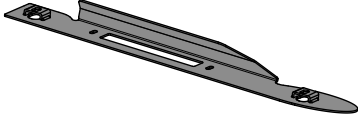
Do not use abrasive cleaners or solvents.

PARTS CHECK SHEET



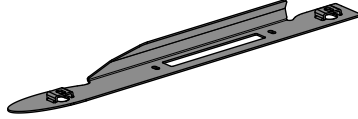
PARTS IN MAIN CARTON

1



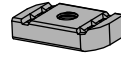
Side Plate RHS
Qty - 1

2



Side Plate LHS
Qty - 1

3



Slot Nut
Qty - 4

4



Small Washer
Ø20 x Ø10.5
Qty - 4

5



Large Washer
Ø24 x Ø8.4
Qty - 4

6



M10 Button
Head Torx
Screw
Qty - 4

7



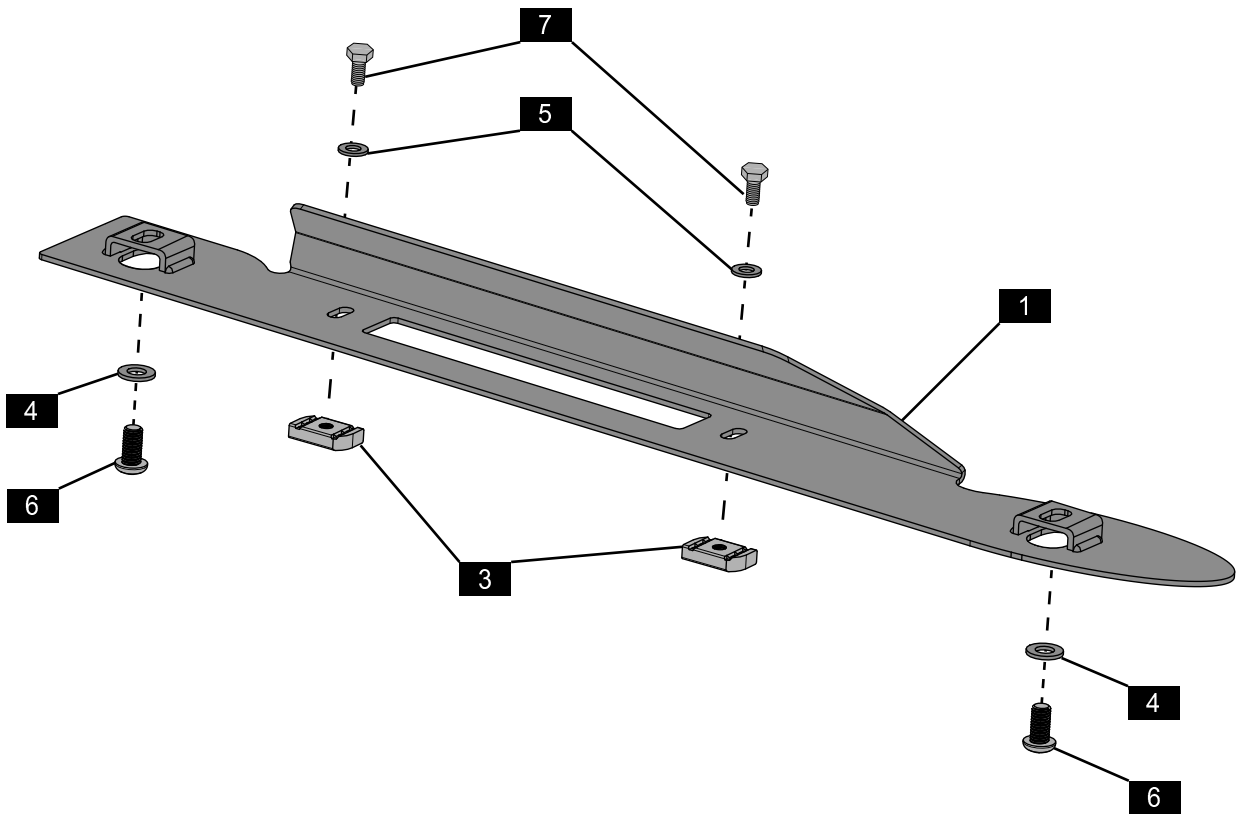
M8 Hex
Head Bolt
Qty - 4

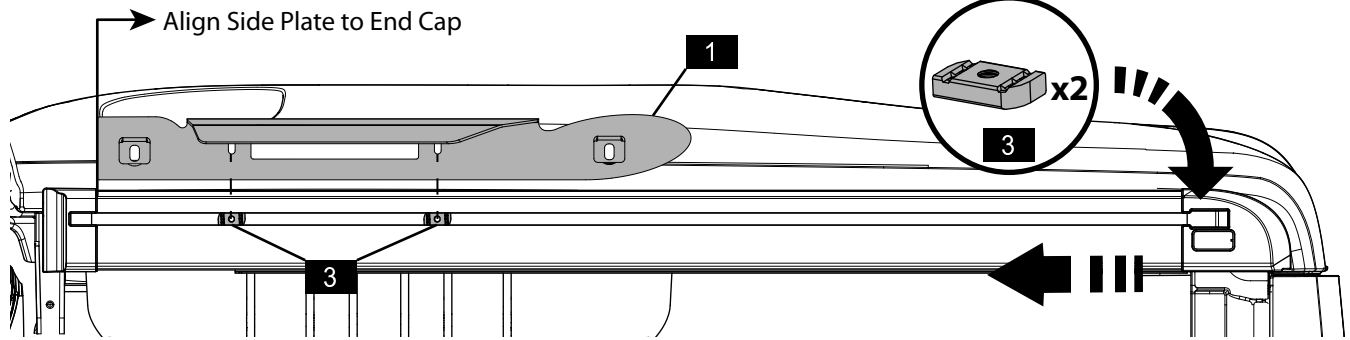
8



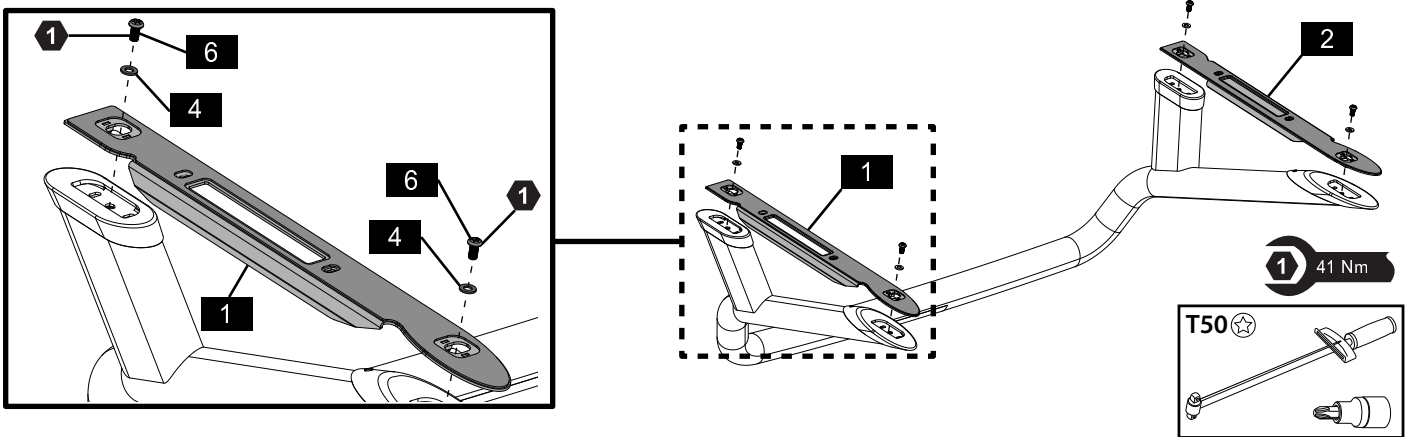
Fitting
Instruction
Qty - 1

EXPLODED VIEW

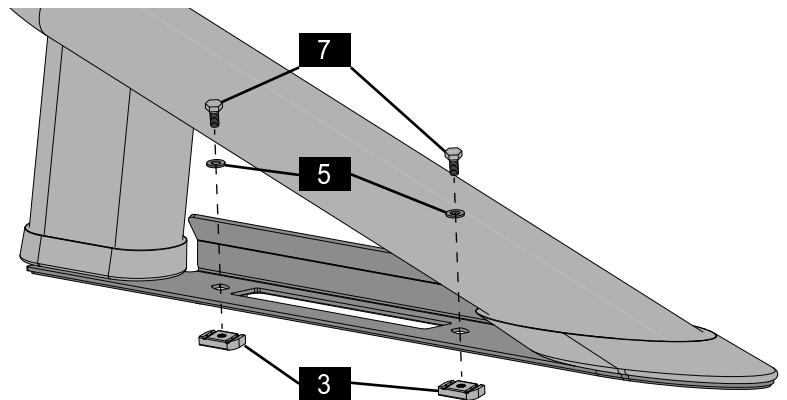
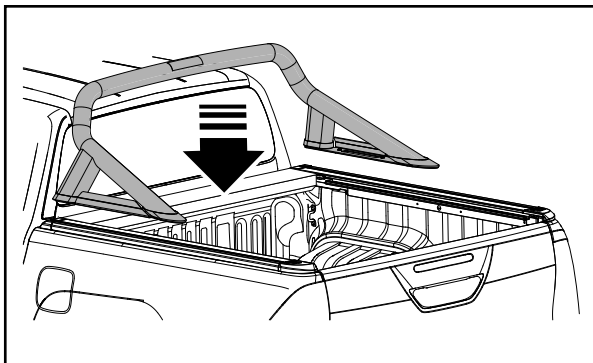




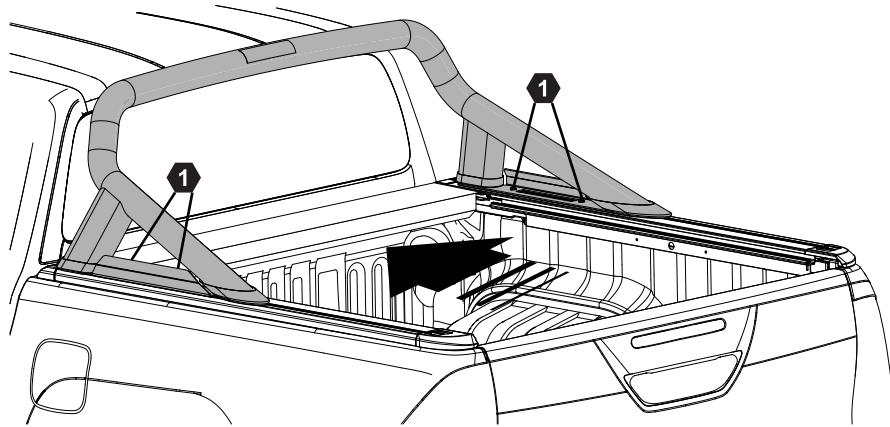
1. Slide two Slot Nuts (3) into the RHS T-channel of the side rail as shown. Position the RHS Side Plate (1) on the side rail, with the front edge of the Side Plate flush with the front end cap of the RollTrac. Ensure the Slot Nuts roughly align with the holes in the Side Plate. Repeat for LHS.



2. Carefully place the sportsbar upside down on a blanket. Secure the Right Side Plate (1) to the right feet of the sportsbar using two M10 Torx Screws (6) and two Small Washers (4), and tighten to 41Nm. Repeat for the LHS.



3. Carefully lower the sportsbar onto the side rails. Reposition the Slot Nuts (3) inside the T-channel to align with the holes in the Side Plates (1)(2). Loosely secure the RHS of the sportsbar in place with two M8 Hex Head Bolts (7) and two Large Washers (5). Repeat for LHS.



4. Slide the sportsbar back until both Side Plates (1)(2) are flush with the front end cap of the RollTrac. Tighten all M8 Hex Head Bolts (7) to 21Nm.