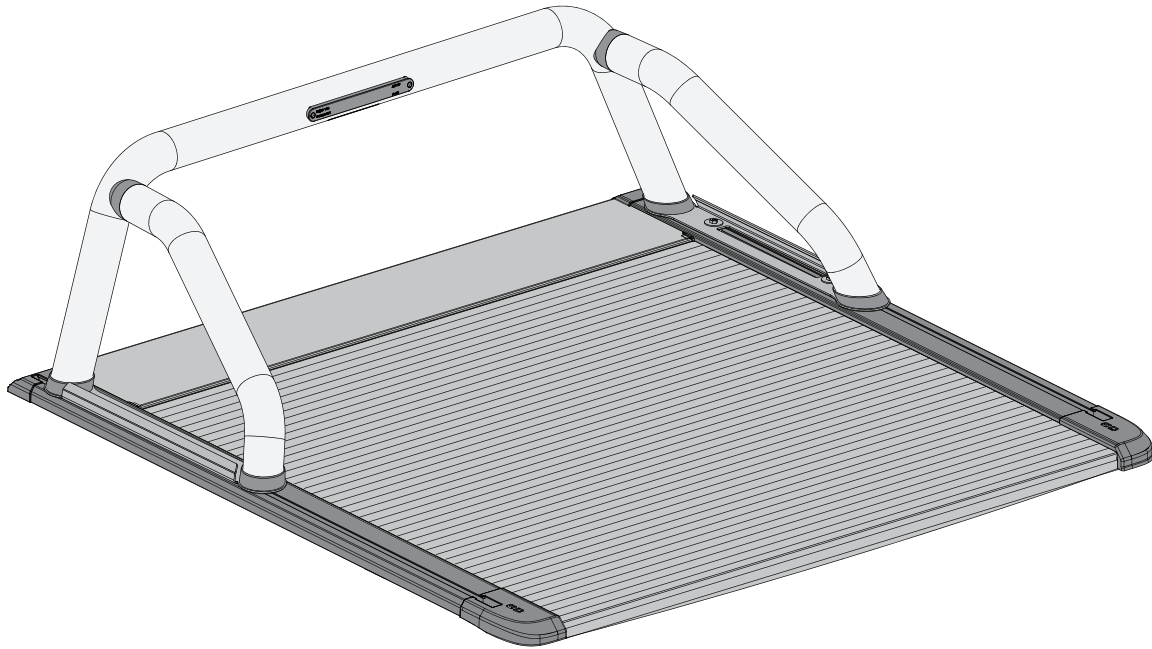


ISU DMA / MAZ B50

Rolltrac Sports Bar Installation Instructions



Installation Time: Approx. 30 mins

Place these instructions in vehicle's glove box after installation is complete

General Notes

- Read through the fitting instructions before installation of accessory.
- Always install the accessory following the fitting instructions. Failure to do so may cause damage to the vehicle or the accessory.
- Ensure all recyclable discarded vehicle accessory components and packaging are recycled following local recycling regulations.
- It is always recommended that this accessory is fitted by a qualified Technician.
- Safely store and protect any removed vehicle components.
- Ensure all bare metal surfaces are protected using Automotive Bare Metal Primer and touch-up paint.
- Please check content of kit using this list and subsequent sketches.
- Remove all metal swarf and dust from all vehicle surfaces if surface is used for accessory installation.

Safety Notes

- Check that all work practices comply with safety standards.
- Please wear appropriate clothing and use safety equipment.



Care Instructions:



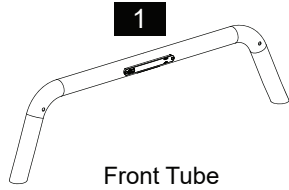
Clean with mild detergent and water solution.



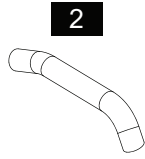
Do not use abrasive cleaners or solvents.



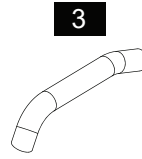
PARTS LIST



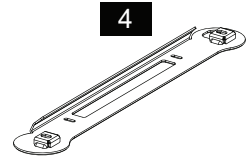
1
Front Tube
Qty - 1



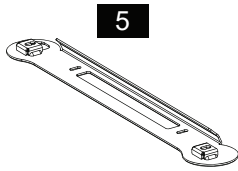
2
LH Side Tube
Qty - 1



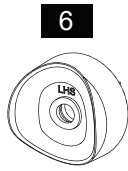
3
RH Side Tube
Qty - 1



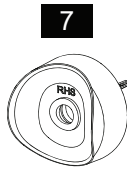
4
LH Mount Plate
Qty - 1



5
RH Mount Plate
Qty - 1



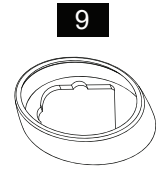
6
LH Joiner
Qty - 1



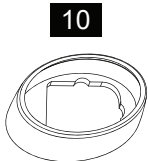
7
RH Joiner
Qty - 1



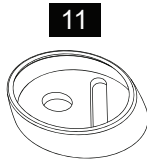
8
Joiner Gasket
Qty - 2



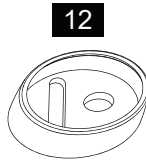
9
LH Front Foot Cup
Qty - 1



10
RH Front Foot Cup
Qty - 1



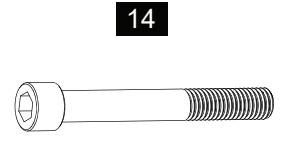
11
LH Rear Foot Cup
Qty - 1



12
RH Rear Foot Cup
Qty - 1



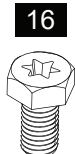
13
Rubber Grommet
Qty - 2



14
M12 Socket Head
Cap Screw
Qty - 2



15
Spacer
Qty - 2



16
M8 Hex Head Bolt
Qty - 4



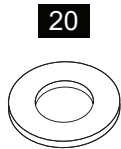
17
M8 Button Head
Torx Screw
Qty - 4



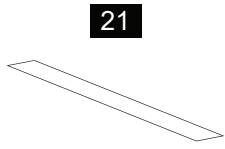
18
Slot Nut
Qty - 4



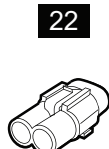
19
Small Washer (26mm)
Qty - 8



20
Large Washer (35mm)
Qty - 4



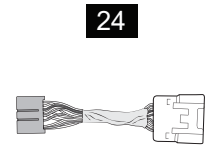
21
Installation Aid
Qty - 2



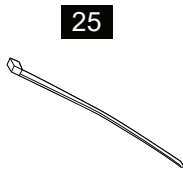
22
Electrical Plug
Qty - 1



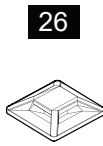
23
Wiring Adaptor Loom
Qty - 1



24
Connector Patch
Qty - 1



25
Cable Ties
Qty - 6



26
Cable Tie Mount
Qty - 6



27
Fitting Instructions
Qty - 1



Important
Do not connect Electrical Plug (22)
until Step 16.

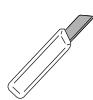
TOOLS REQUIRED



Allen Key



Torx
Screwdriver



Knife



Torque
Wrench



Allen Head
Socket



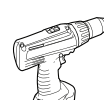
T40
T45
Torx Head
Socket



Hole
Punch



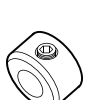
Scissors



Drill

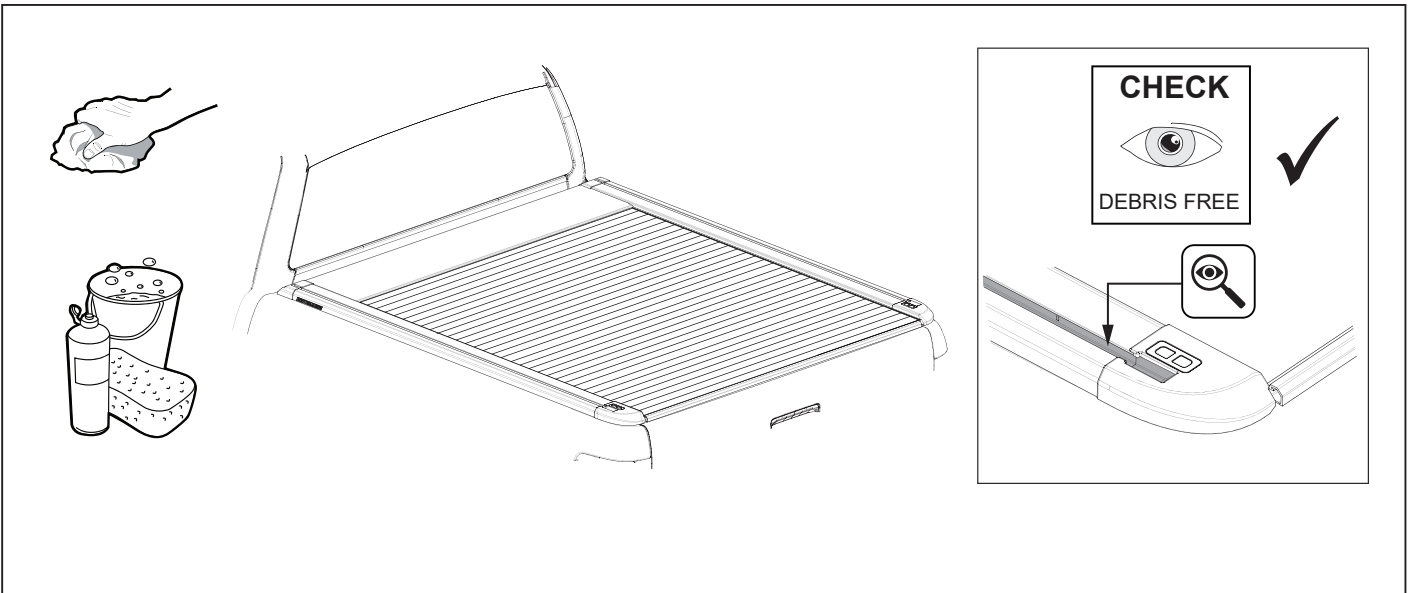


4.5mm
9.0mm
Drill Bit

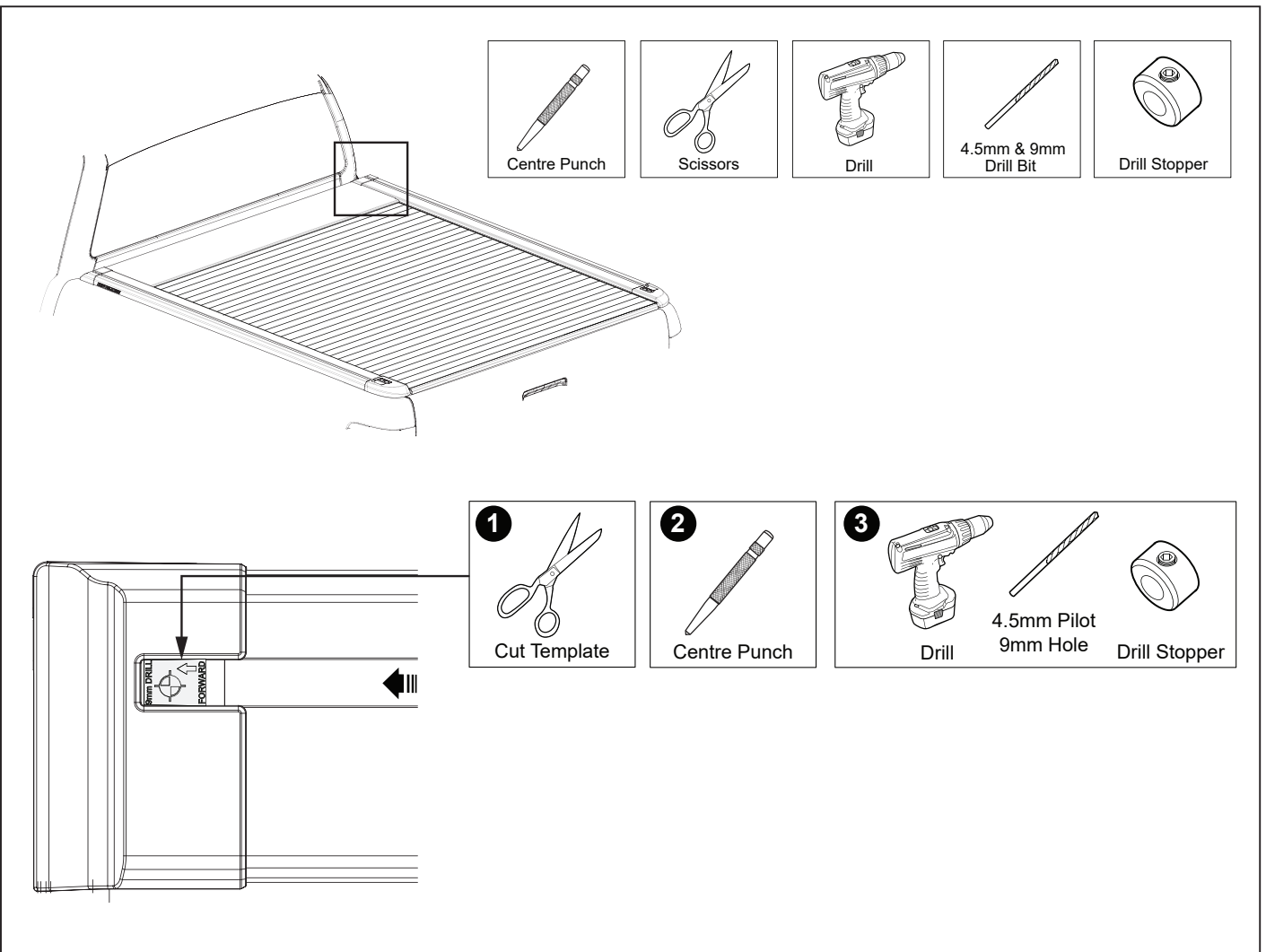


Drill
Stopper

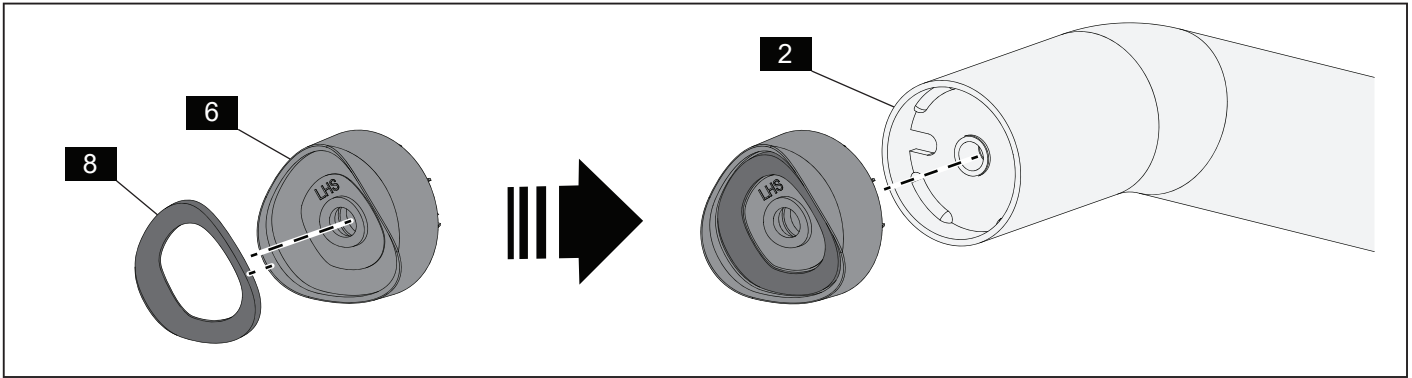
INSTALLATION INSTRUCTIONS



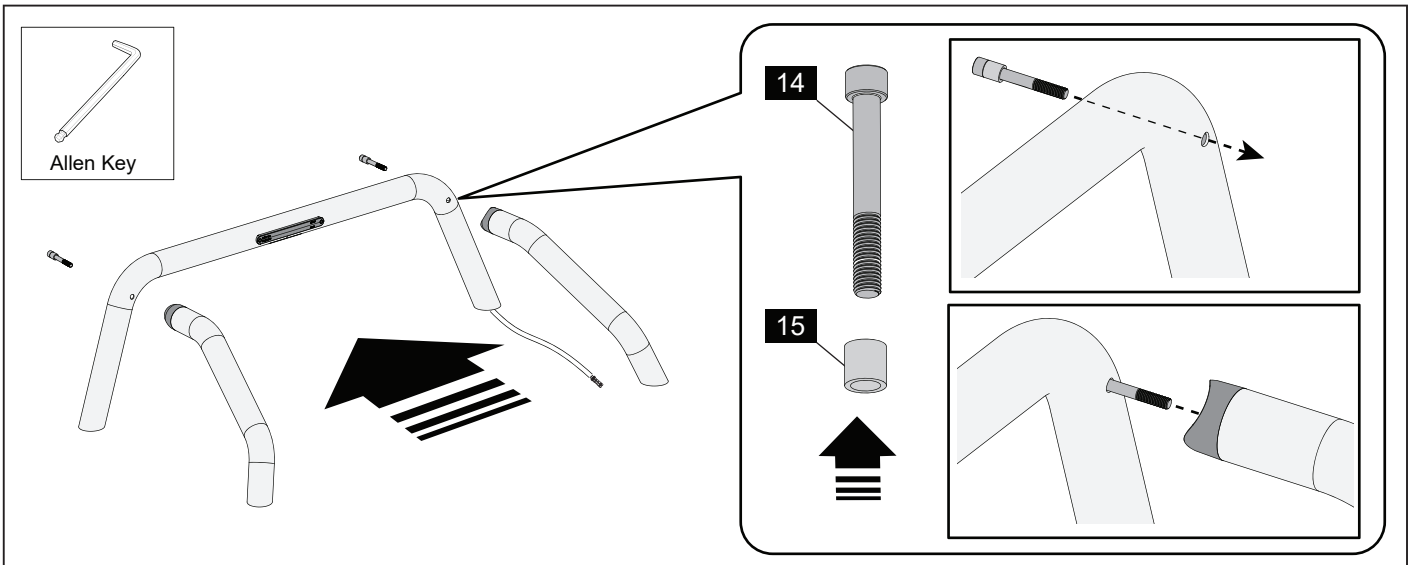
1. Prepare the surface of the side rails by cleaning them thoroughly ensuring that any debris in the side rail channels is completely removed.



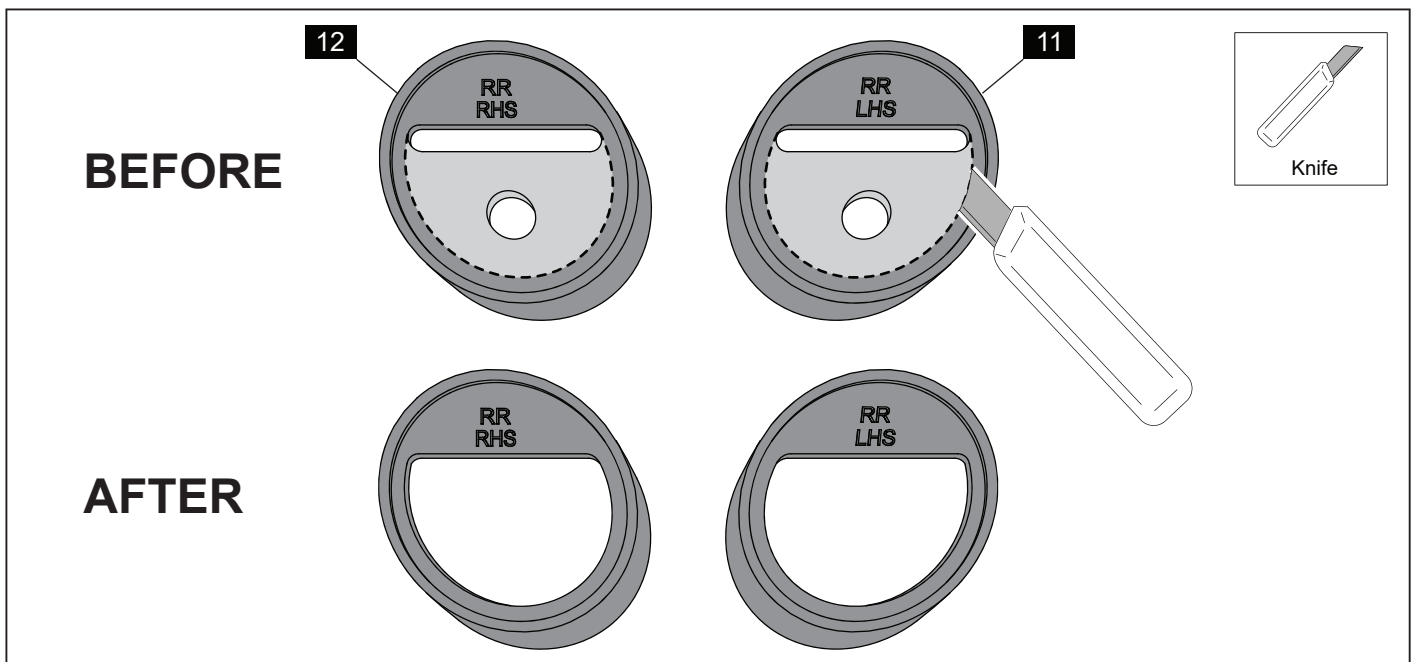
2. Cut out the template on Page 13, insert the template into the channel and push all the way to the end of the RHS Side Rail. Centre punch the hole location, pilot drill with a 4.5mm drill and then drill a 9.0 mm hole all the way through the side rail. Clean out any swarf from the channel and the tub.
Caution: Use Drill Stopper to prevent drilling further than 5mm into the vehicle tub.



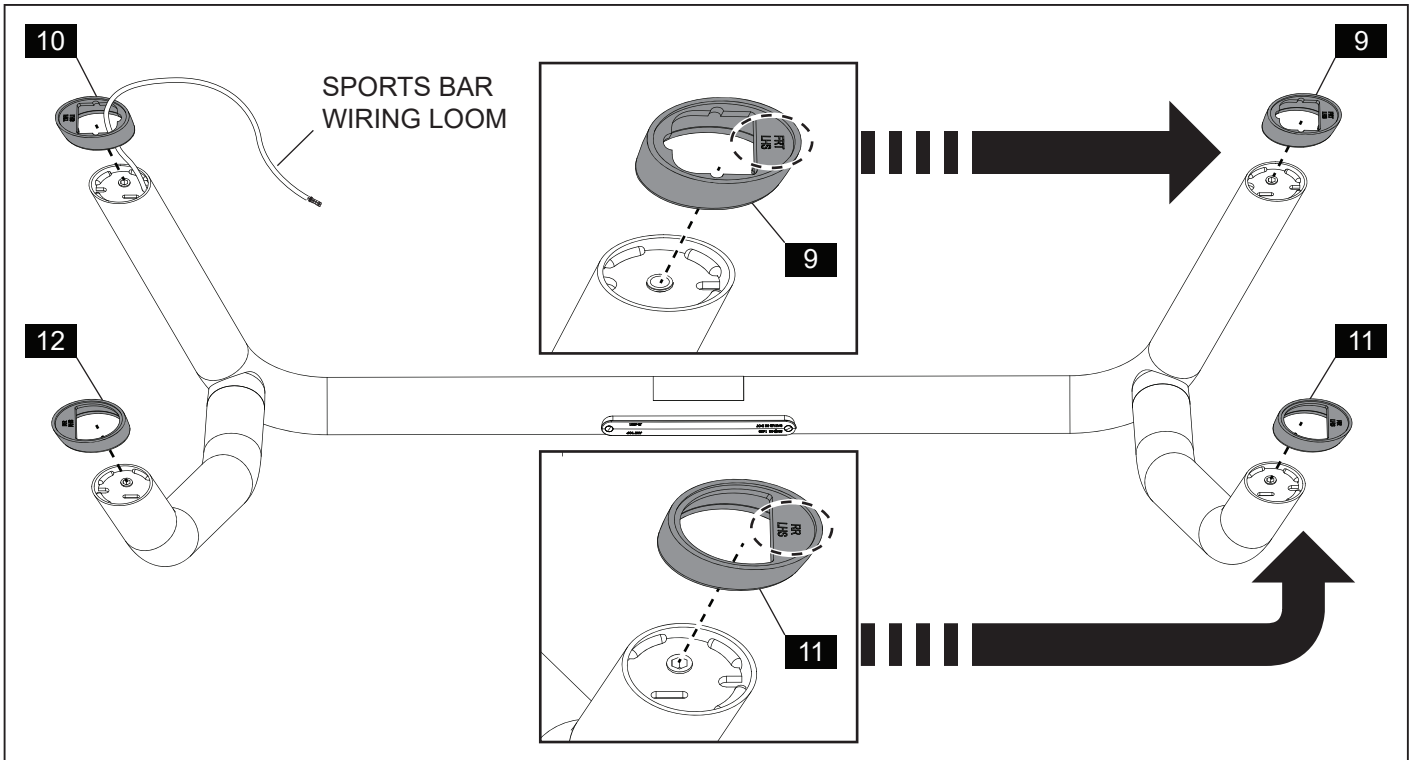
3. Install the Joiner LHS (6) to the top end of the Side Tube LHS (2). Ensure the locating pin on the joiner goes into the recess on the plate for alignment. Repeat for Joiner RHS (7) into the Side Tube RHS (3).



4. Add the Spacer (15) to each of the M12 Socket Head Cap Screws (14). Insert the Screw with Spacer through the front RHS hole of the Front Tube (1). Hold in place with a 10mm hex key. Install the Side Tube RHS to the Front Tube and finger tighten the screw. Repeat for LHS.

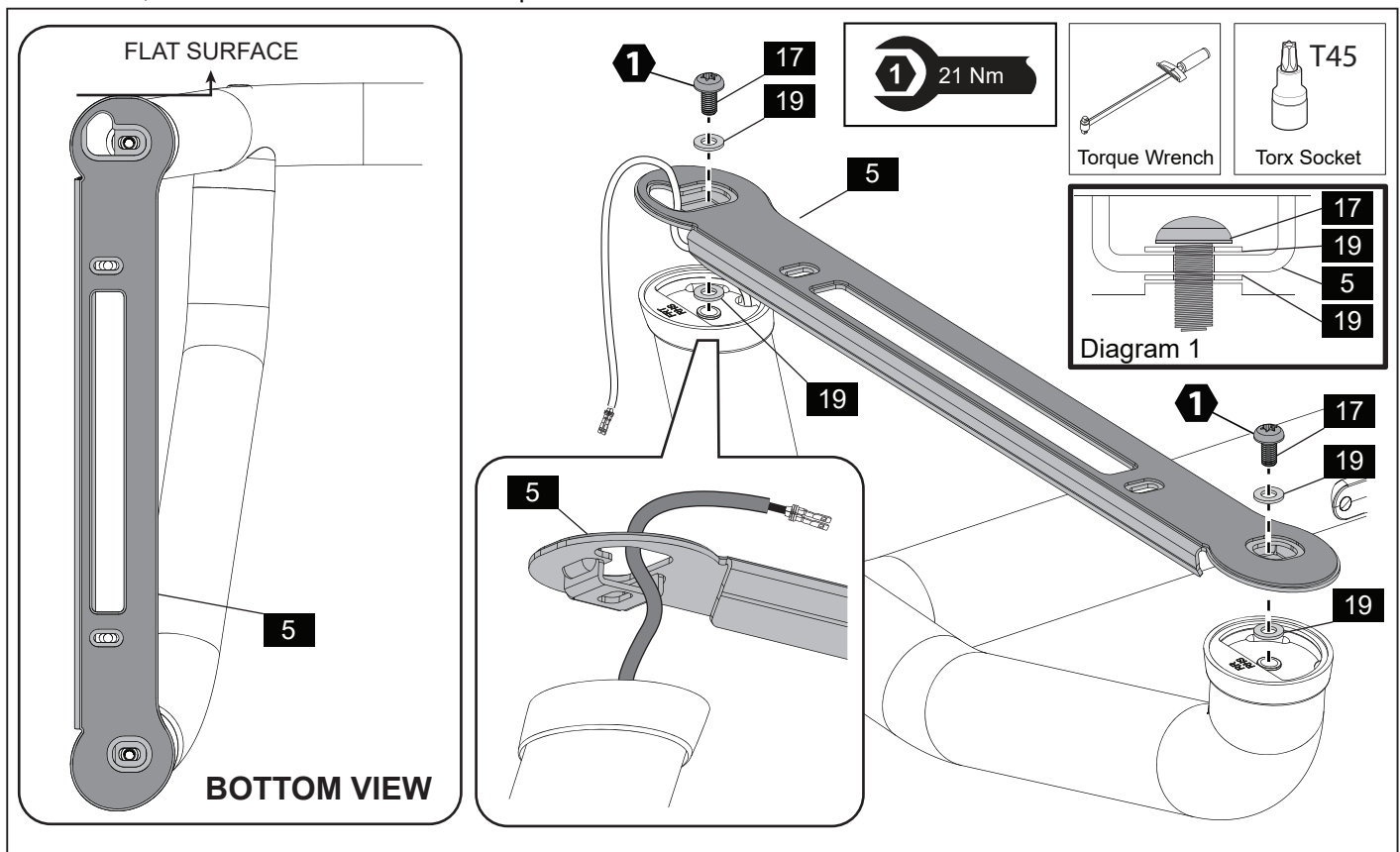


5. Locate the Foot Cups - RR LHS (11) and RR RHS (12). Mark then cut the Foot Cups as shown and discard the cut out sections (shown above).

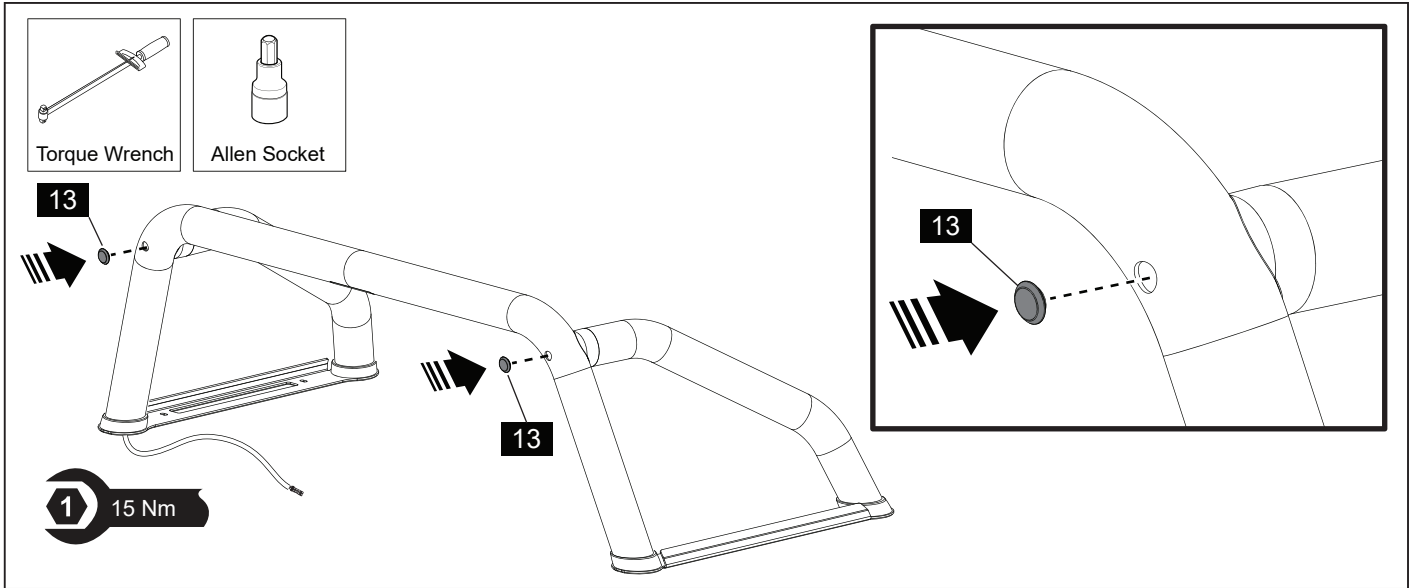


6. Carefully place the Sportsbar upside down.

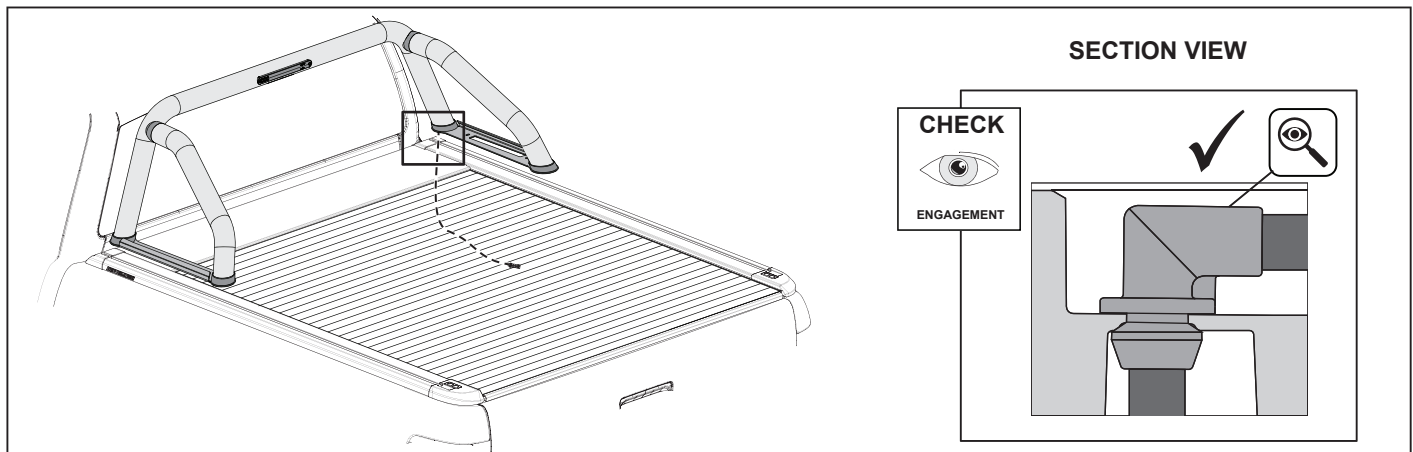
Push all four Foot Cups (9,10,11,12) onto the corresponding foot of the Sportsbar. When installing Foot Cup – FRT RHS (10), feed the Wiring Loom through the Footcup Hole before installing. Ensure the Foot Cups are correctly oriented, with text to the outside of the Sportsbar.



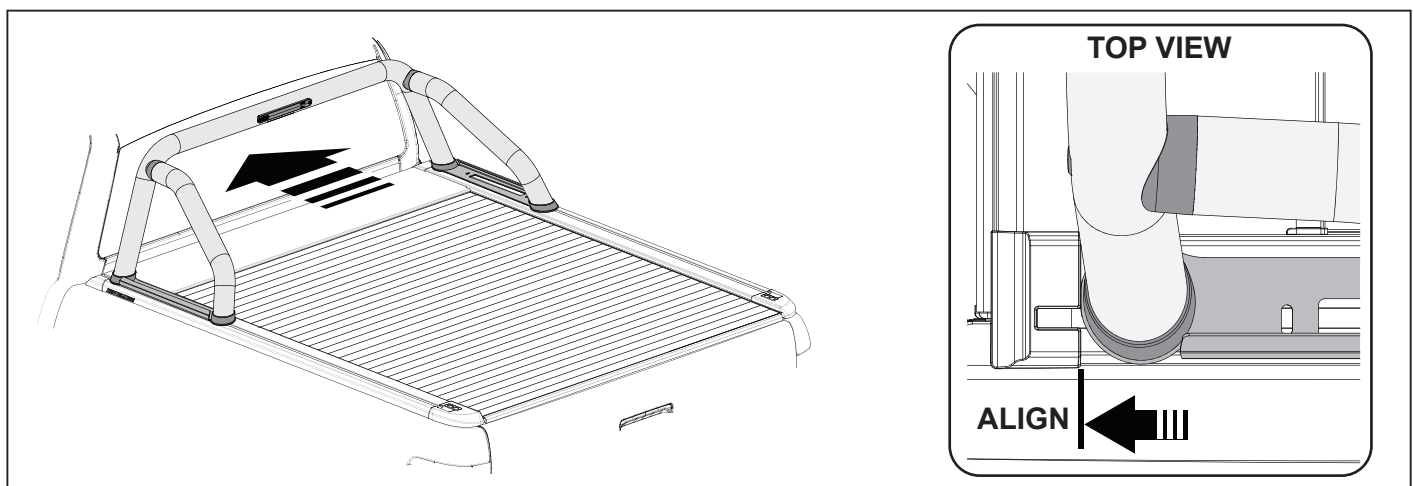
7. Place the Mount Plate RHS (5) onto the Sportsbar with the flat surface at the front of the Sportsbar. Feed the LED wiring loom through the front, side slot located on the Mount Plate RHS (5). Place a Small Washer (19) between the Mount Plate and Sportsbar foot at each screw position. Then secure the Mount Plate with M8 Torx Screw (17) and Small Washer (19). See Diagram 1 for detail. Tighten to 21Nm. Repeat for LHS.



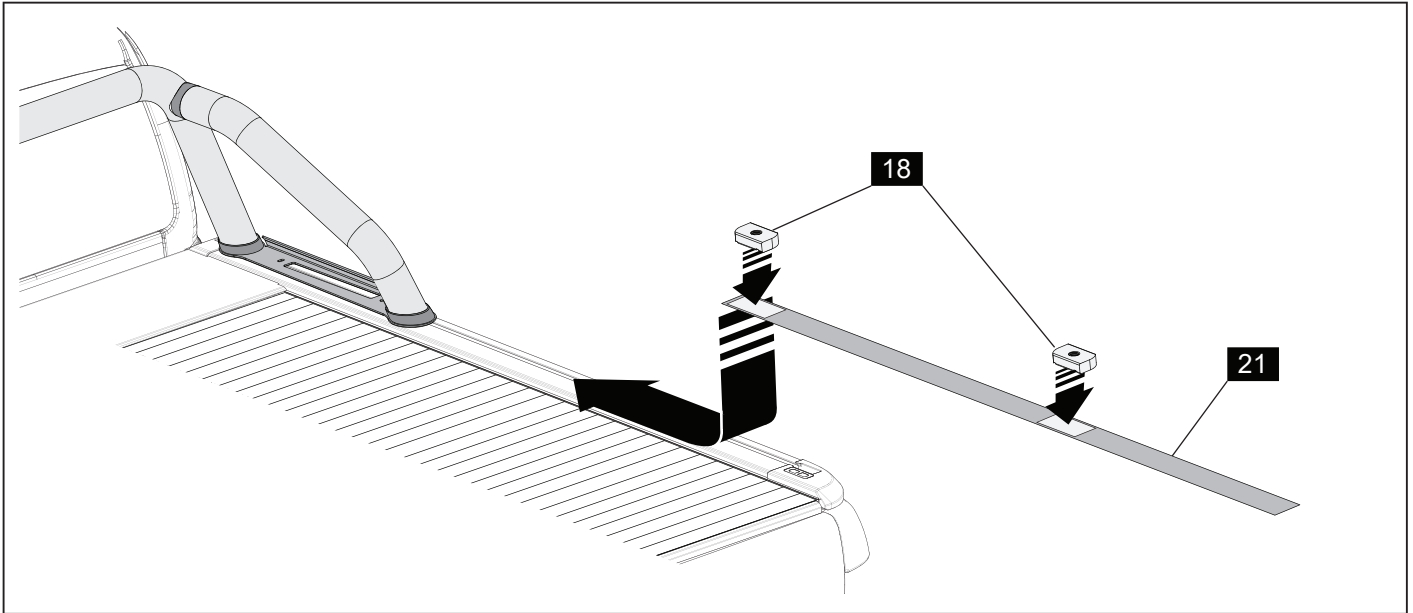
8. Carefully place the Sports Bar upright. Using a 10mm hex socket, tighten the M12 Socket Head Cap Screws (14) holding the Side tubes to the Front tube. Torque to 15Nm. After tightening, insert the Rubber Grommets (13) to cover each hole.



9. Position the sports bar above the tub and feed the sports bar loom through the hole in the RHS rail. Press the grommet into the hole in the side rail as shown ensuring that it is well seated. A trim removal tool can be used to seat the grommet. Lower the sports bar into position over the rail taking care not to pinch the cable. Ensure the cable is fed down into the bed of the tub.



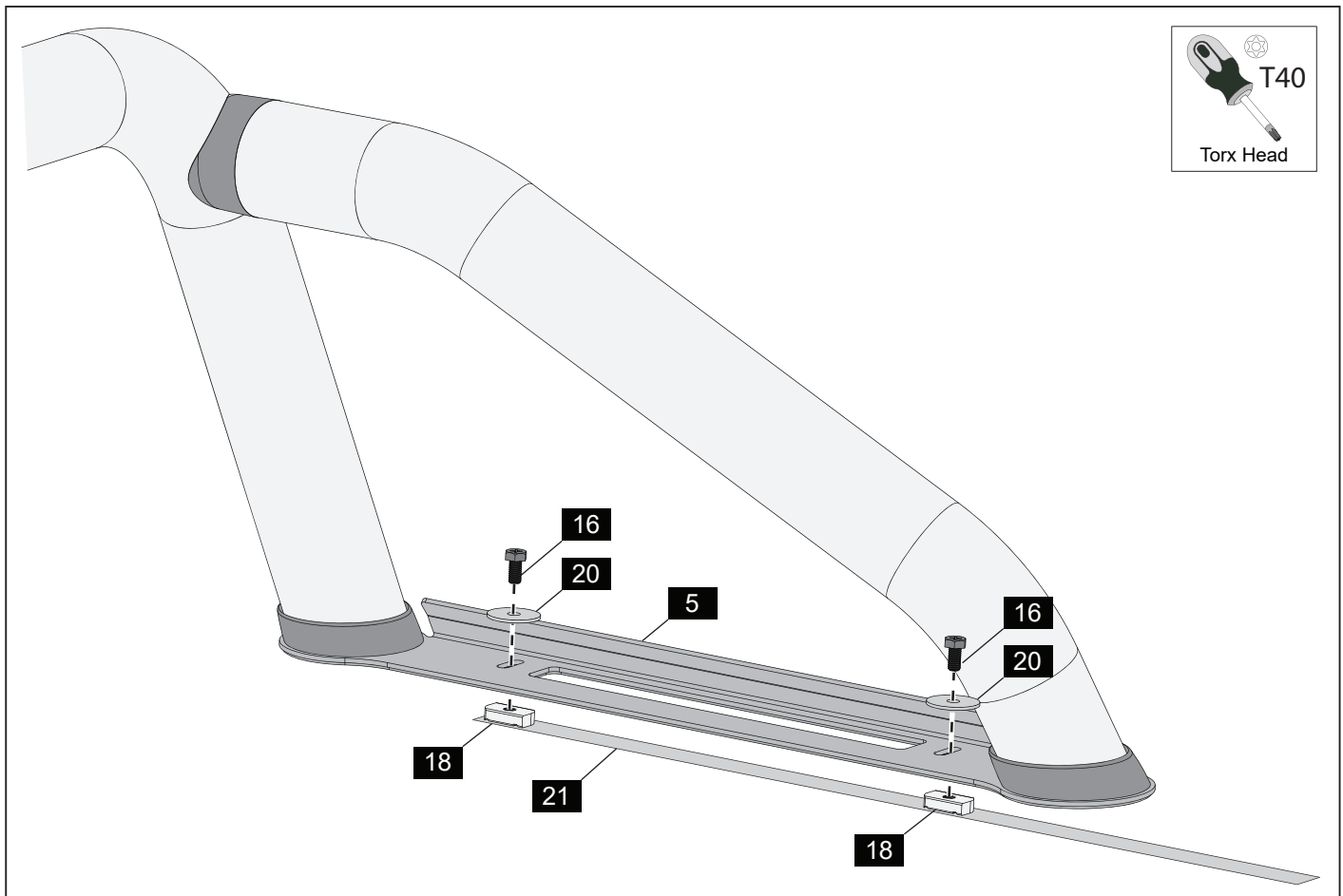
10. Position the Sports Bar such that the Mount Plates align to the RollTrac End Caps.



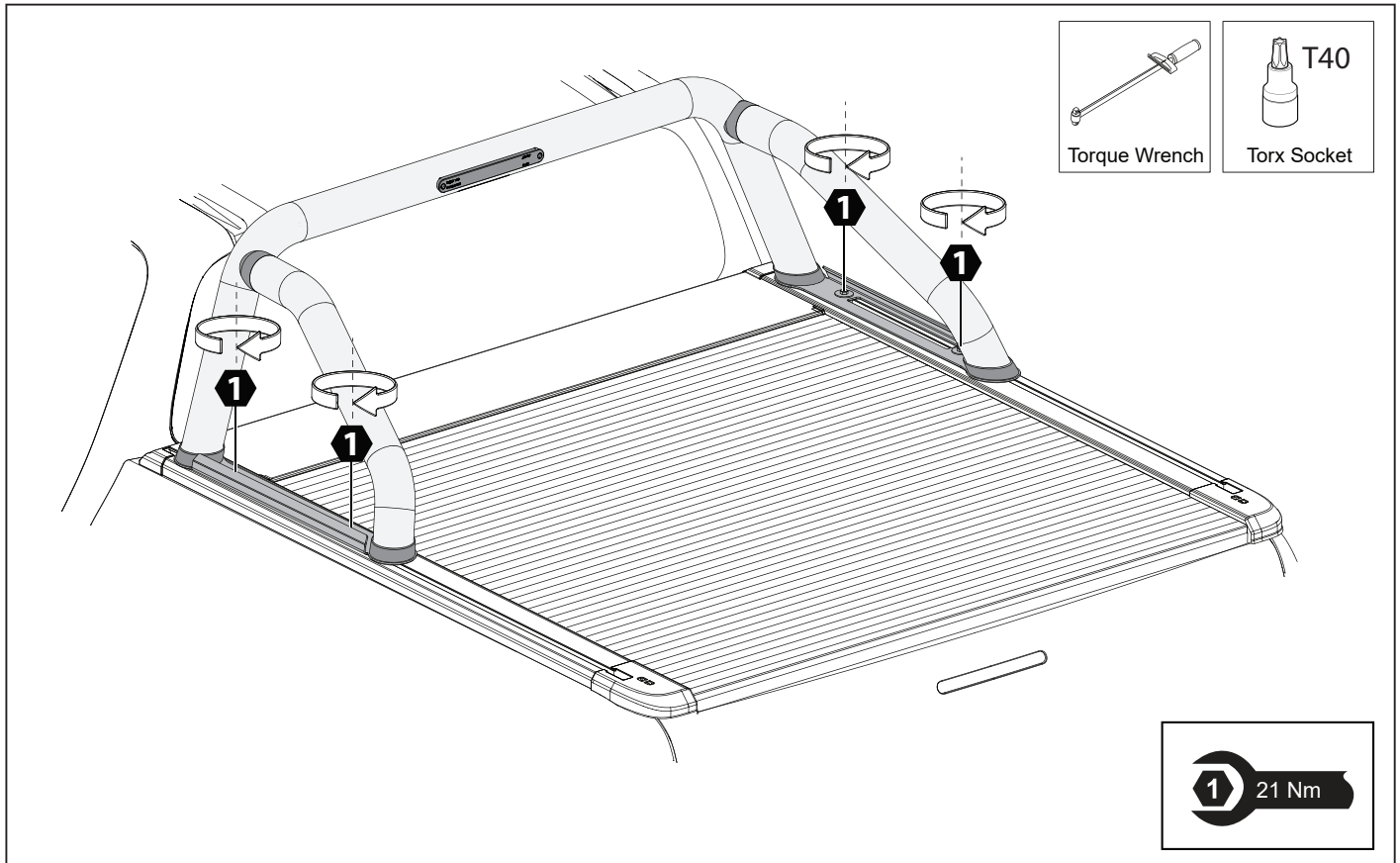
11. Insert the Installation Aid (21) into the T-Channel of the side rail. Slide two Slot Nuts (18) into the T-Channel and position them on top of the Installation Aid.

Note: The Installation Aid serves two purposes.

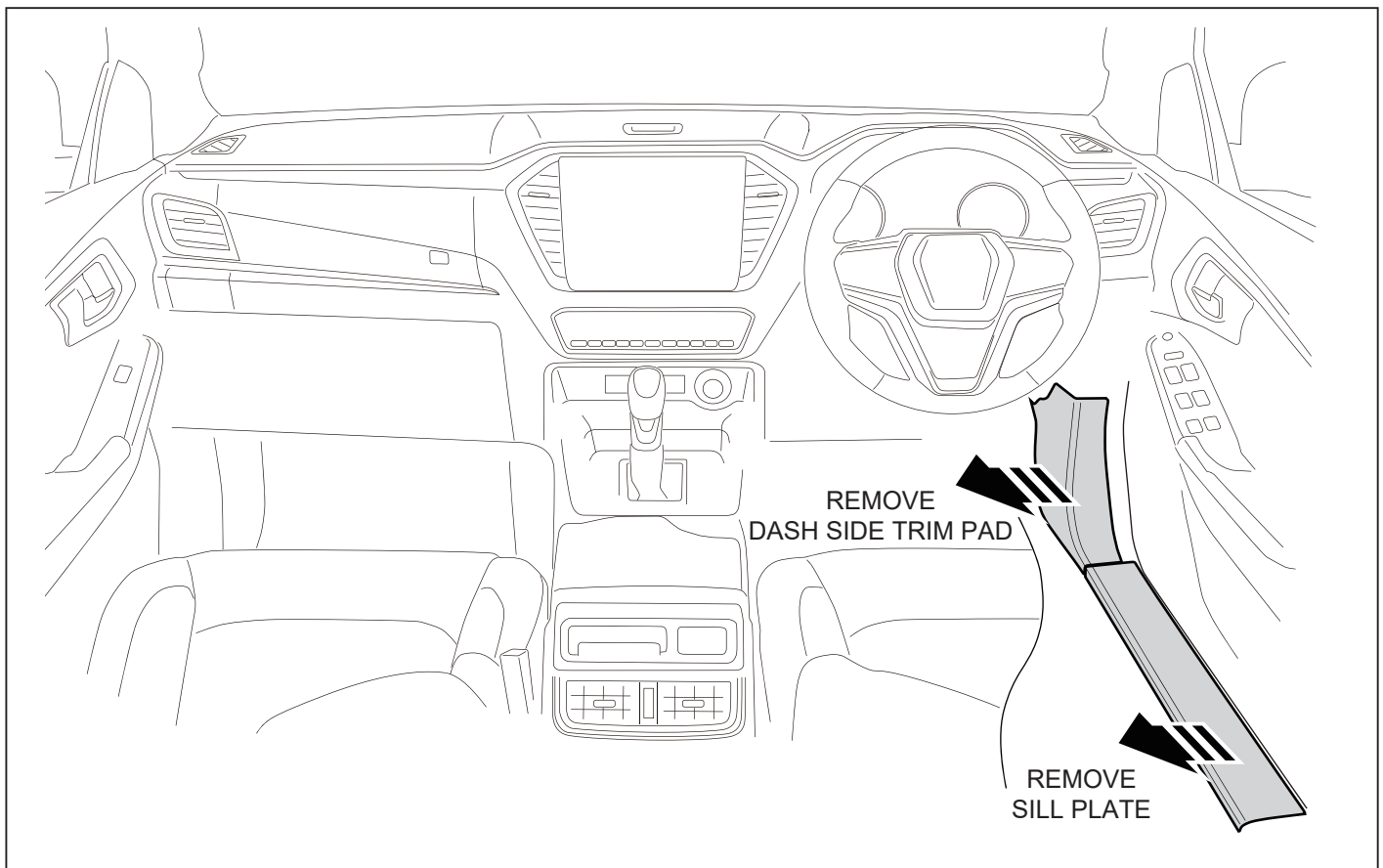
1. To assist in repositioning the Slot Nut under the Mount Plate.
2. Reduce the clearance between the Slot Nut and Mount Plate, ensuring the M8 Hex Head Bolt is able to contact the Slot Nut thread.



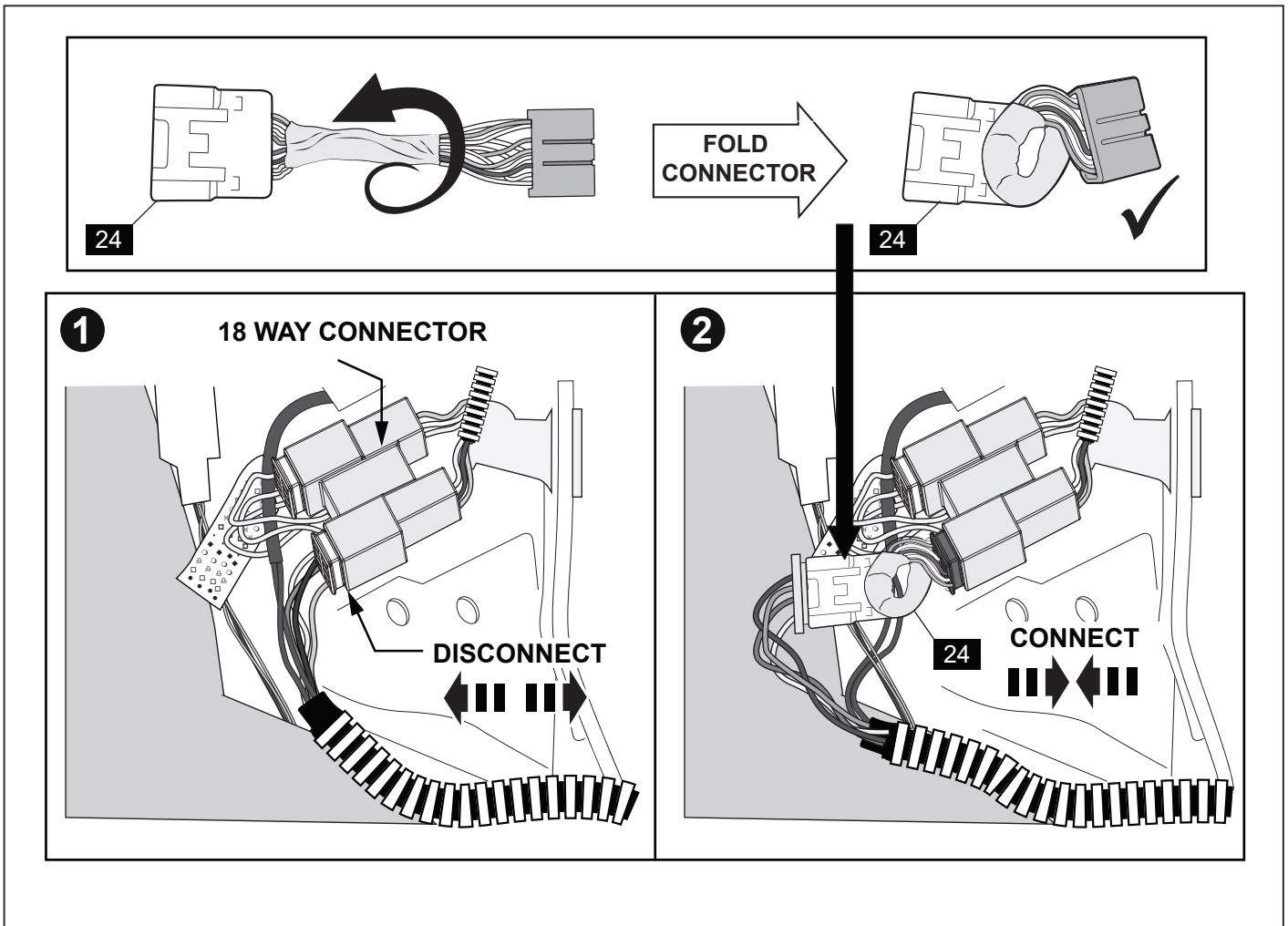
12. Reposition the Slot Nuts (18) inside the T-Channel using the Installation Aid (21) and align with the holes in the Mount Plate RHS (5). Loosely install the M8 Hex Head Bolts (16) and the Large Washers (20) through the Mount Plate RHS. Once both Screws are finger tightened, remove the Installation Aid from the T-Channel and repeat for the LHS.



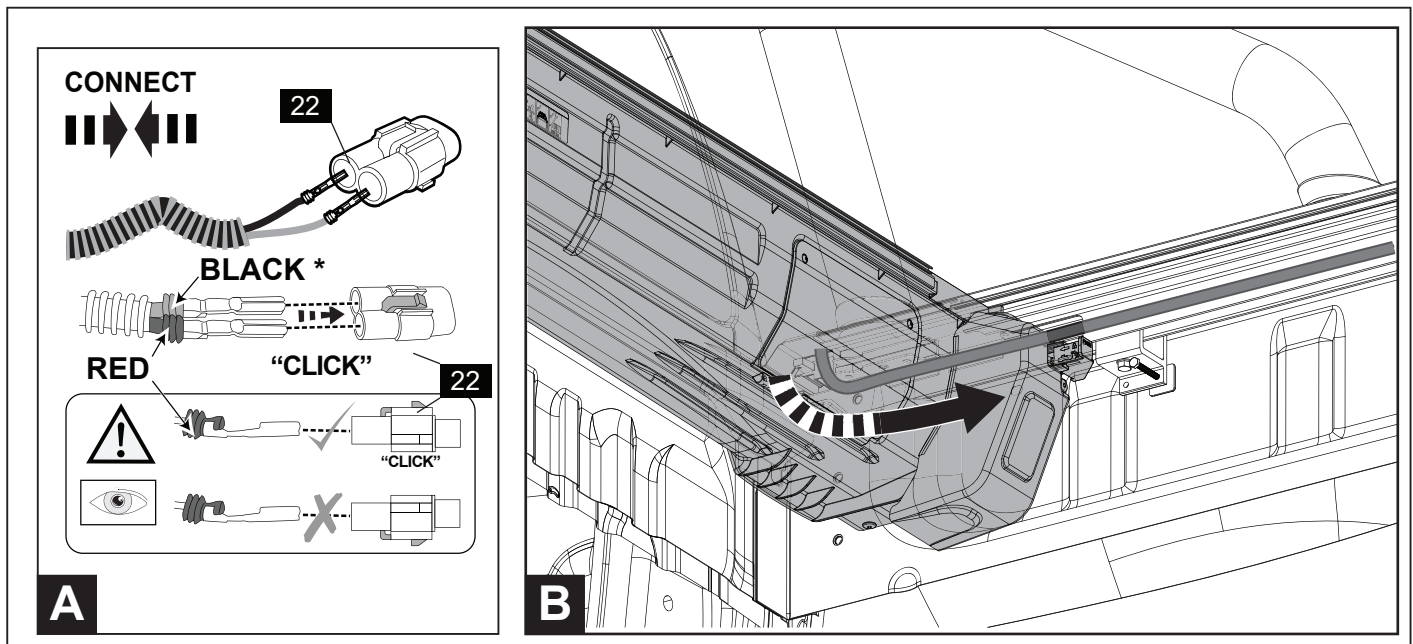
13. Tighten all M8 Hex Head Bolts (16) to 21Nm.



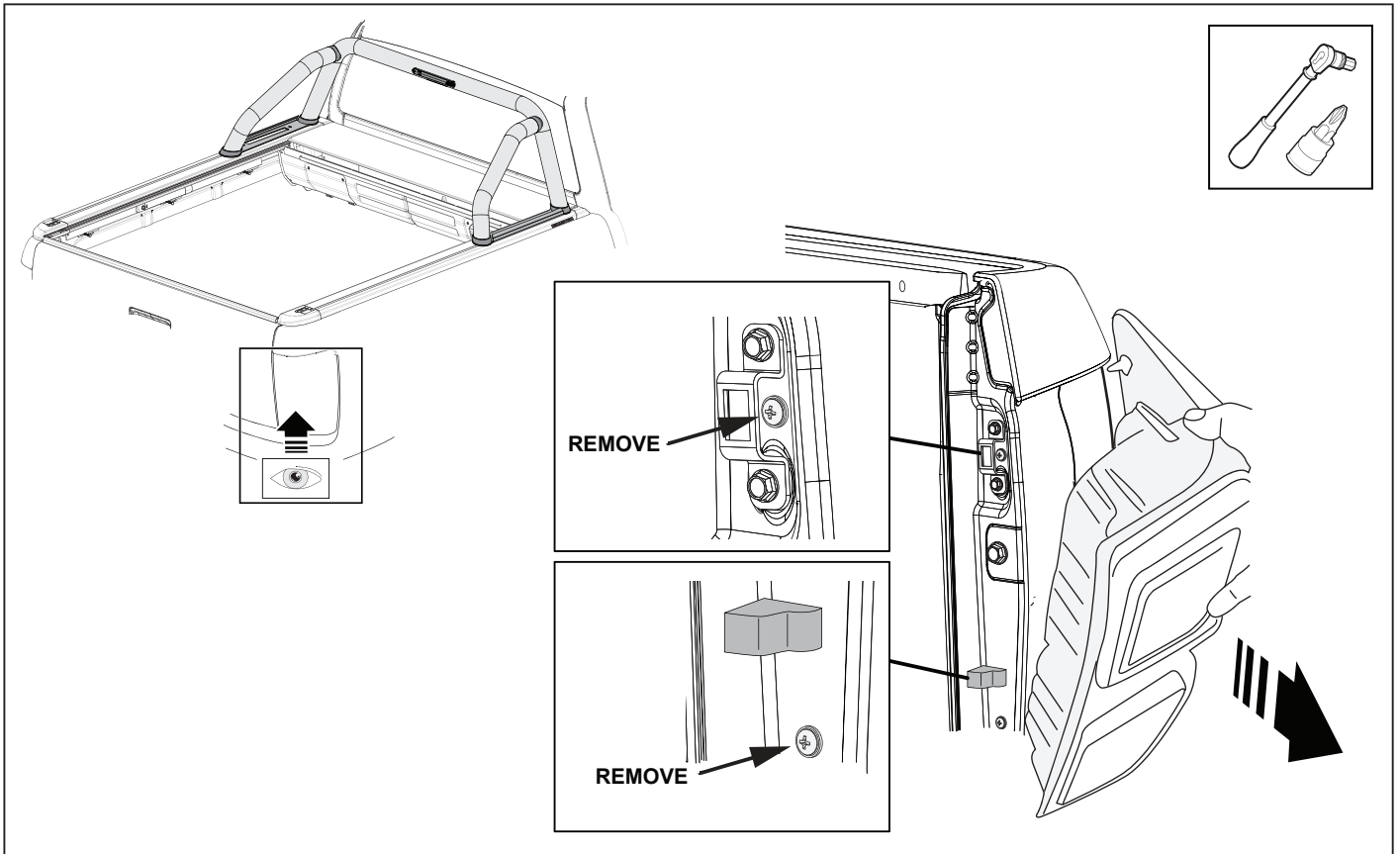
14. Locate the front driver's side sill plate and dash side trim pad. Remove and retain both.



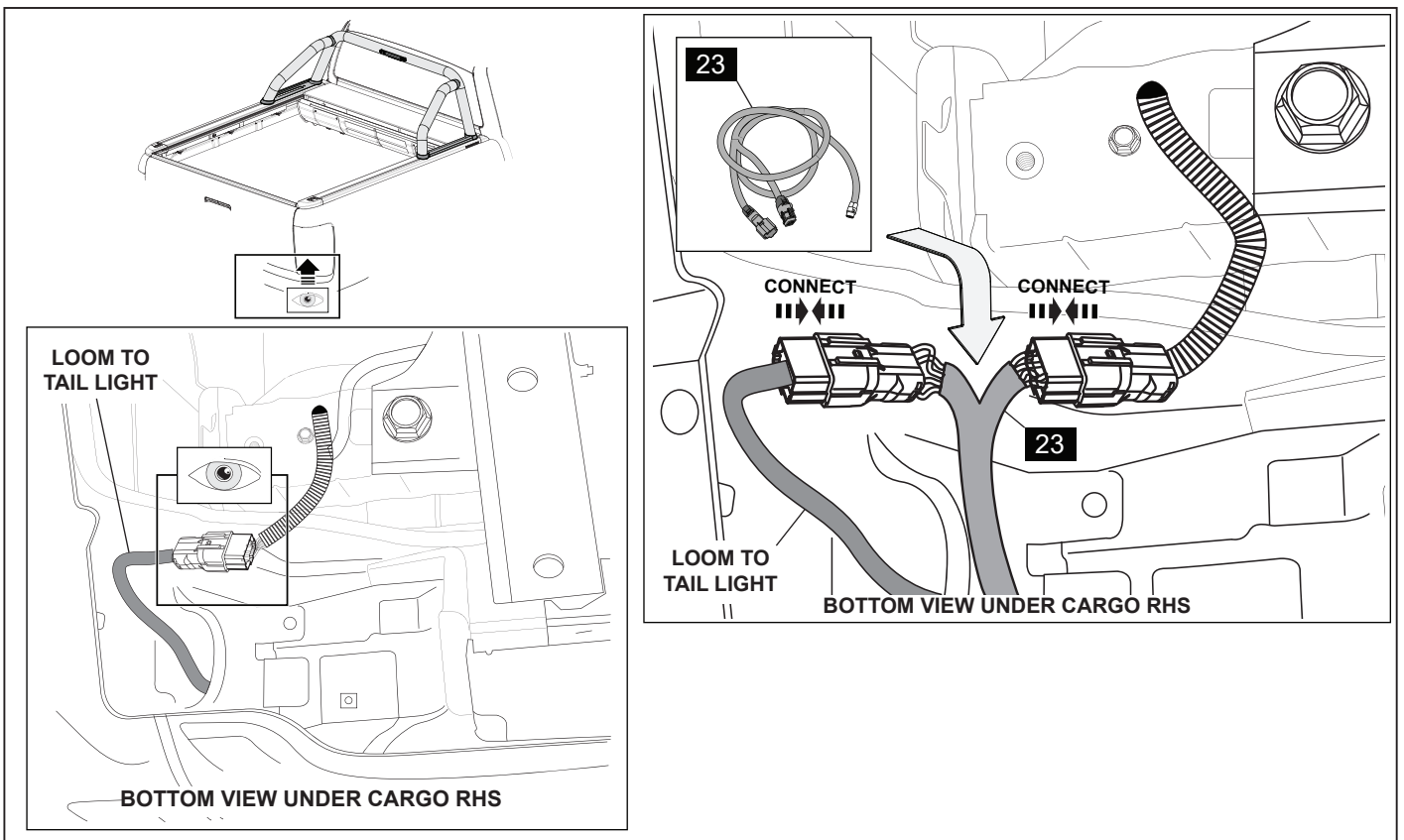
15. Locate the 18 Way - Centre High Mounted Stop Lamp connector and disconnect the connector shown. Bridge the Male and Female connectors with the Connector Patch (24). Fold the connector Patch as shown above. Re-attach the retained Dash Trim Pad and Sill Plate.



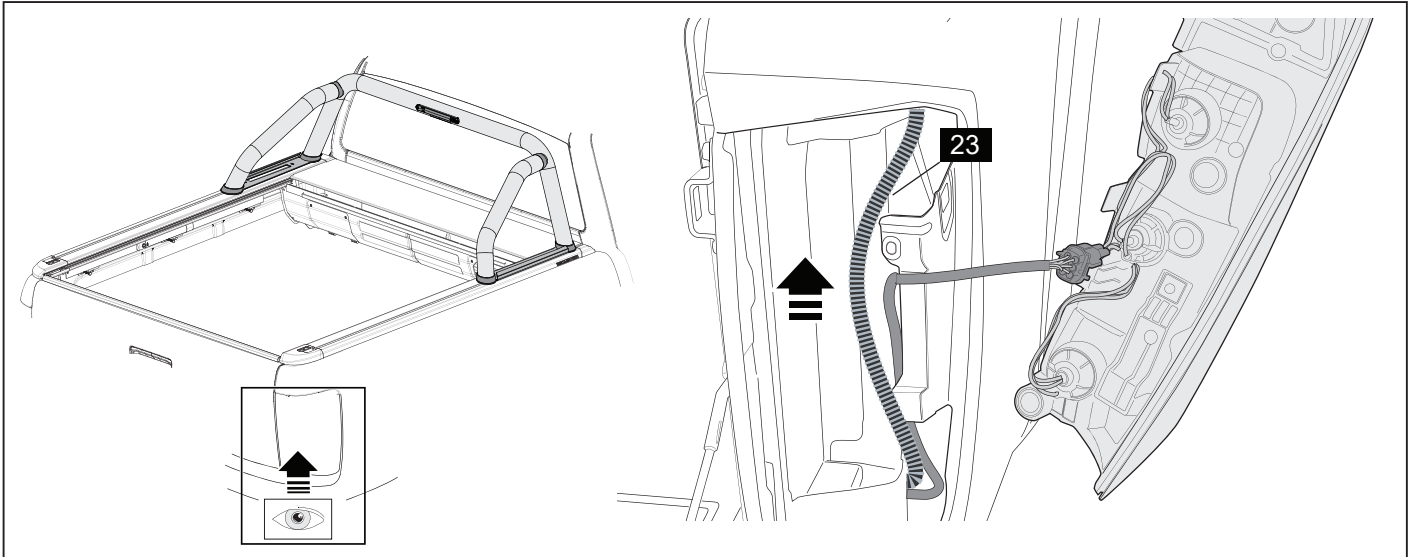
- 16.A) Attach the Electrical Plug (22) to the Stop Lamp wiring as shown.
IMPORTANT: Match the wire colours from sports bar with wires from the wiring Adaptor loom (22).
 B) Route the loom wiring behind the RollTrac Housing, and along the wiring channel.



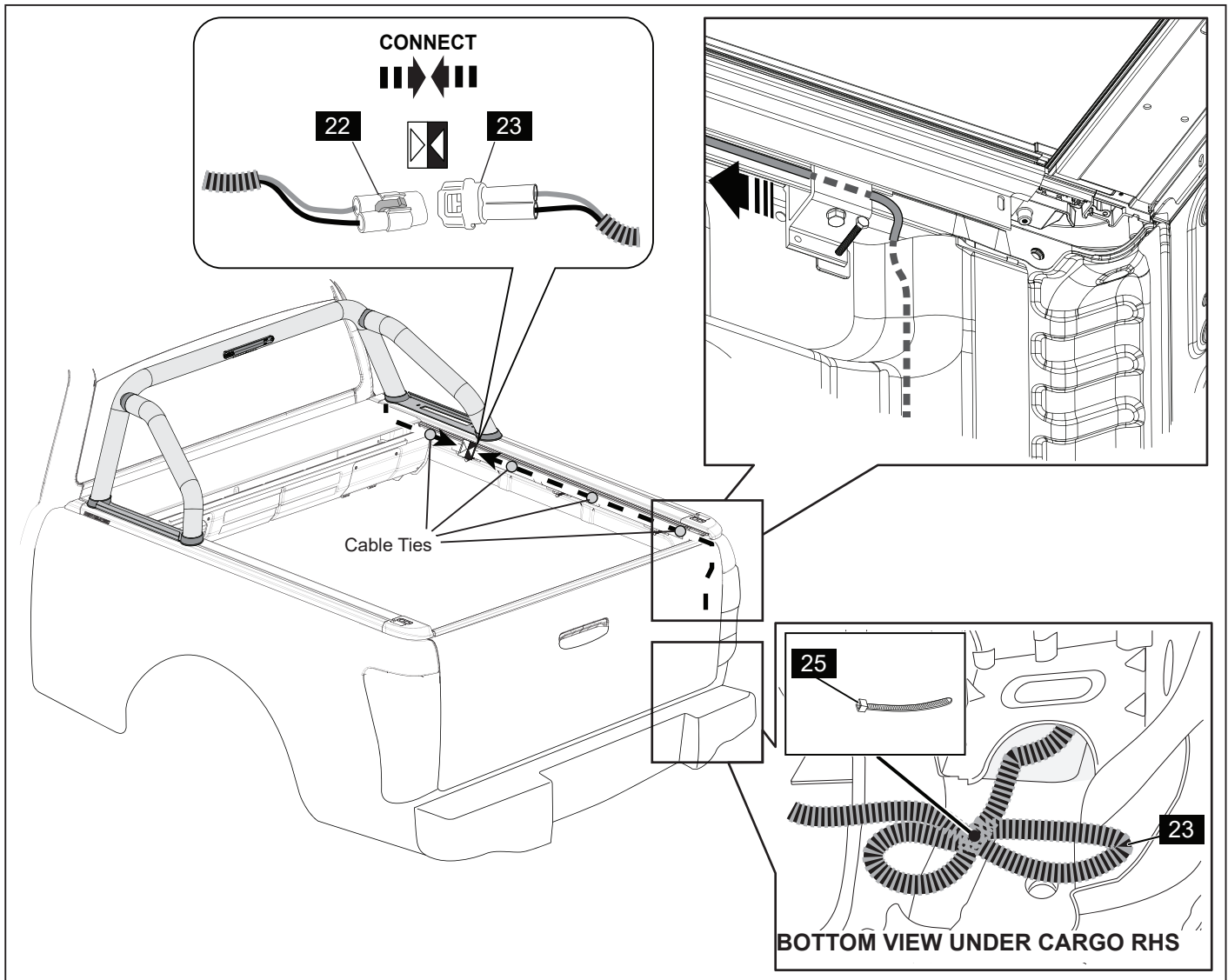
17. Remove the two bolts that secure the RHS Rear Tail Lamp. Remove the RHS Tail Lamp.



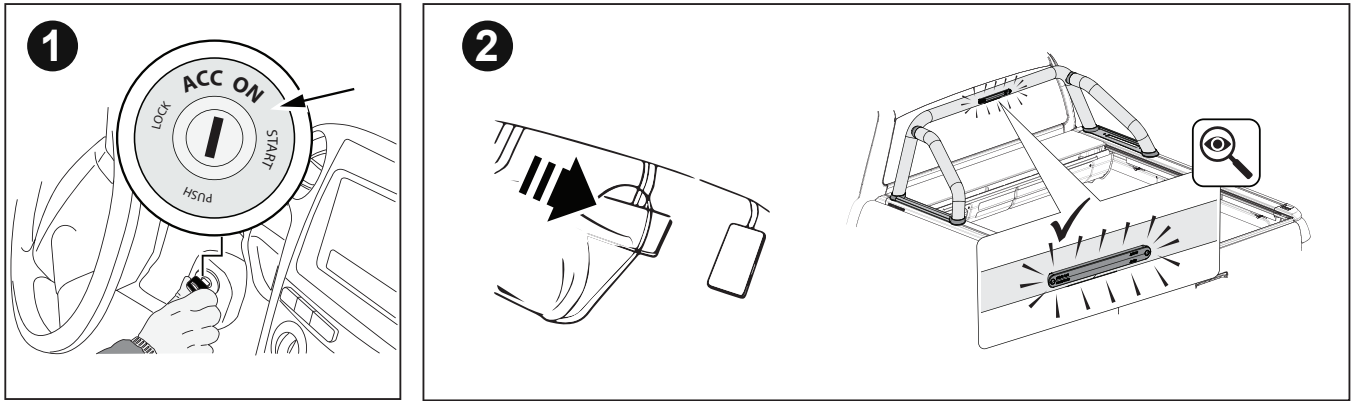
18. Locate the RHS Tail Lamp Connector underneath the Cargo RHS. Unplug the Tail Lamp Connector. Bridge the male and female connectors from the Tail Lamp with the Wiring Adaptor Loom (23).



19. Route the Wiring Adaptor Loom (23) from underneath the tub, into the tail light compartment, then up through the opening at the top.

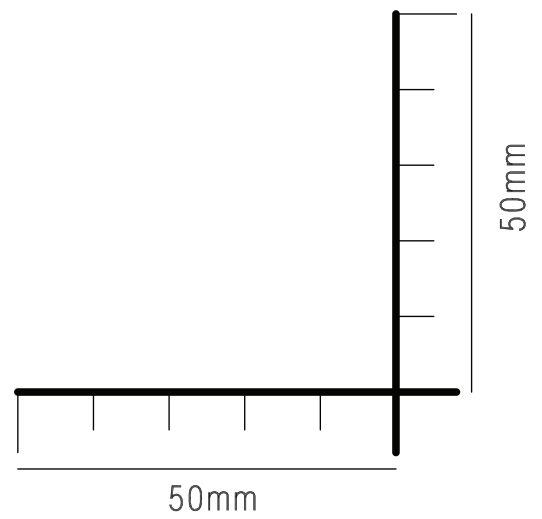
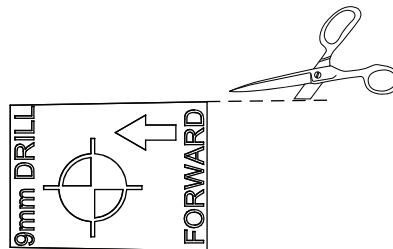


20. Route the Wiring Adaptor Loom (23) along the full length of the RollTrac. Connect the Wiring Adaptor Loom (23) to the Stop Lamp Wiring Loom (22). Secure the Wiring Loom to the RollTrac at various points using the Cable Ties (25) and Cable Tie Mounts (26). Loop any excess Wiring Adaptor Loom (23) and secure with Cable Ties (25).




21. Power up accessories on vehicle, depress the brake pedal and check the function of the LED brake light on the Sports Bar.

DRILL TEMPLATE RIGHT HAND SIDE



Sheet Size: A4
Scale: 1:1

Important
 Always confirm the length of the 50mm marker before cutting out the templates.