

FORD RANGER MY22 ➔

Important



- Read instructions carefully before installation.
- It is strongly recommended that installation is conducted by an authorized dealer.
- This product must be installed exactly as specified in these instructions. Failure to do so may result in improper fit and/or retention/failure of components.

PERSONAL PROTECTIVE EQUIPMENT:



Mask



Rubber Gloves



Goggles



Hearing Protection

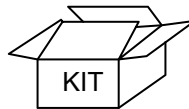
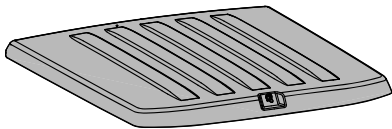
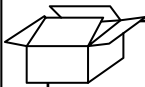
Care Instructions:



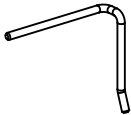
Clean with a mild detergent and water solution.



Do not use abrasive cleaners or solvents.



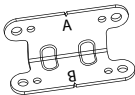
1 (x2)



2 (x2)



3 (x2)



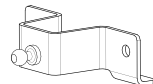
4 (x2)



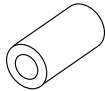
5 (x4)



6 (x2)



7 (x4)



8 (x12)



M8

9 (x4)



M6

10 (x4)



M6

11 (x8)



M6 (Small)

12 (x8)



M6 (Large)

13 (x8)



M6x20

14 (x16)



M8x20

15 (x2)



16 (x1)



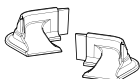
17 (x2)



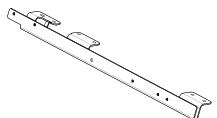
18 (x1)



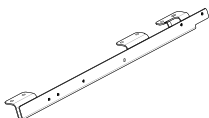
19 (x1)



20 (x1)



21 (x1)

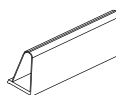


22 (x12)

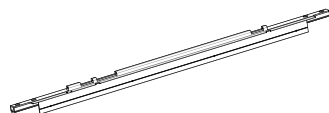


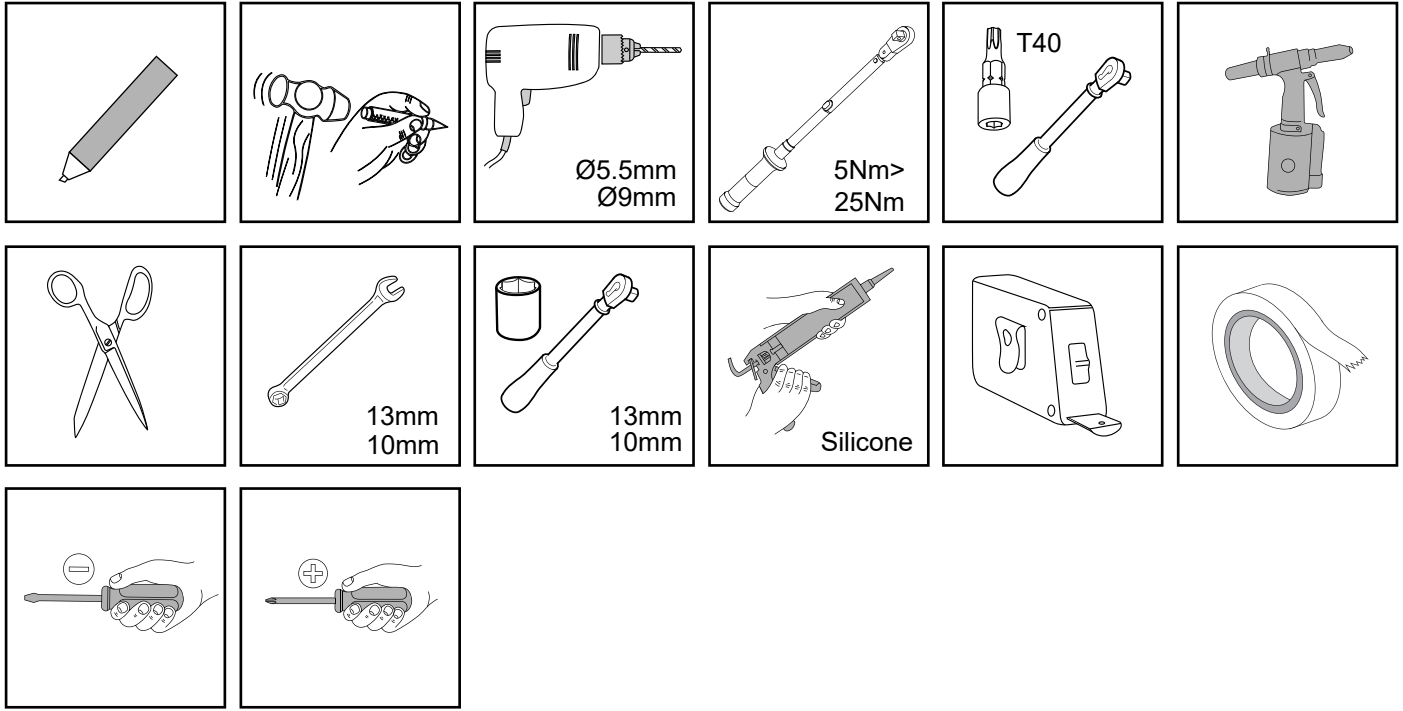
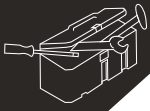
M8

23 (x1)



24 (x1)

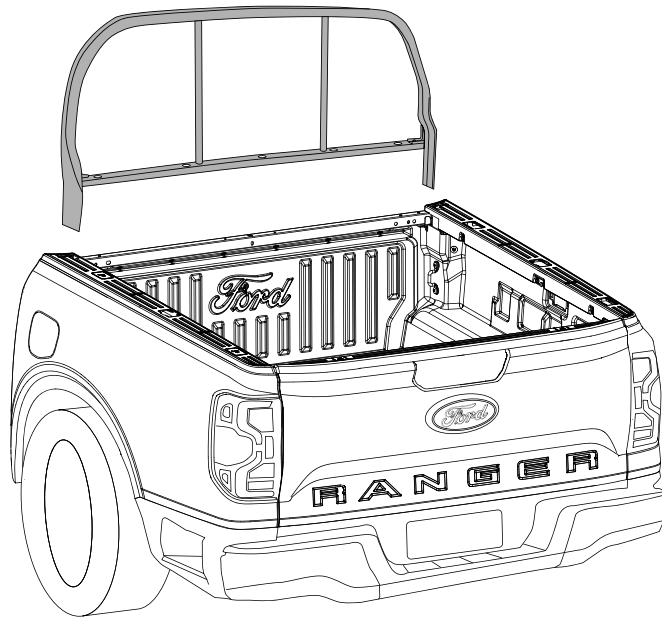




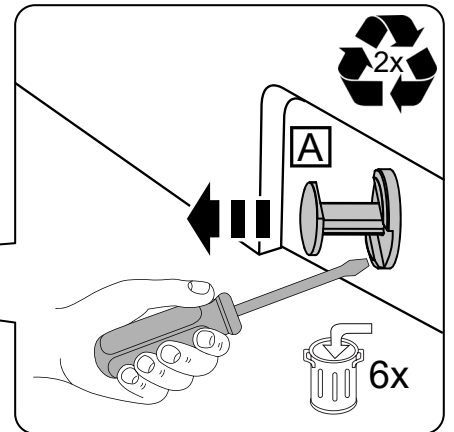
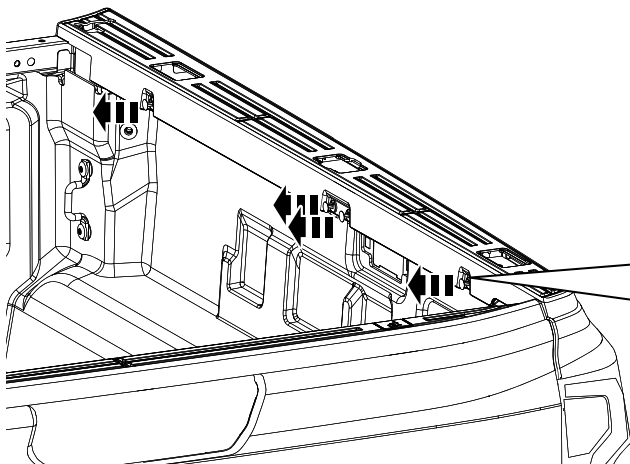
Glossary

	: Vehicle Part		: Location
	: Sequence		: Loosen
	: Part Provided		: Adjust
	: Torque Setting		: Install & Remove
	: Even Space		: Equal
	: Reuse		: Disconnect
	: Discard		: Connect
	: Complete for Both Sides		: No Torque
	: Two People		: Lock
	: Check		: Unlock
	: Caution		
	: Clean		

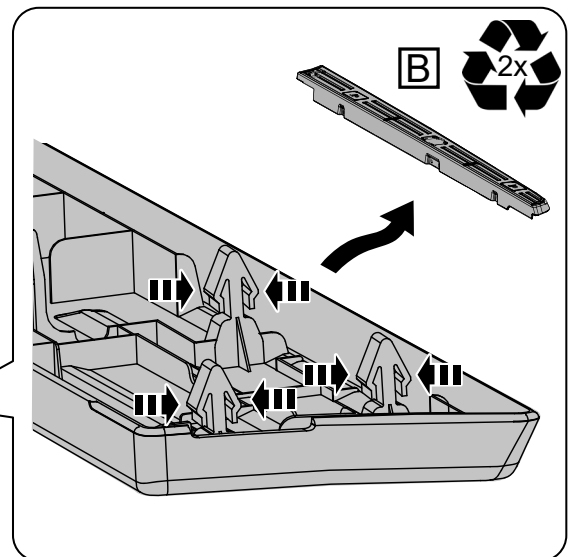
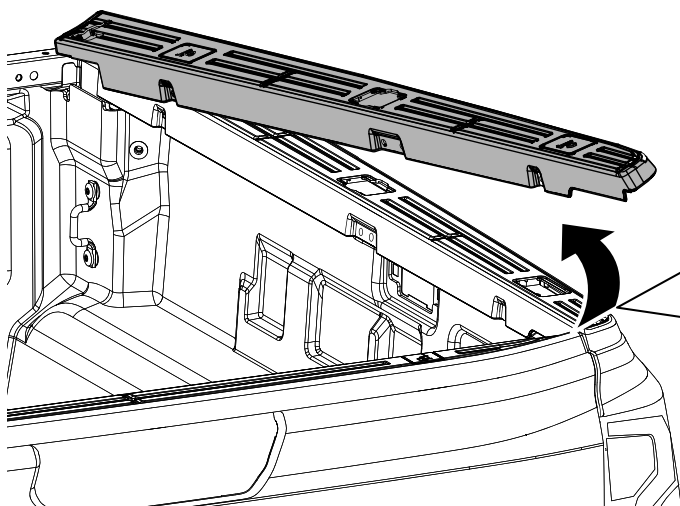
1



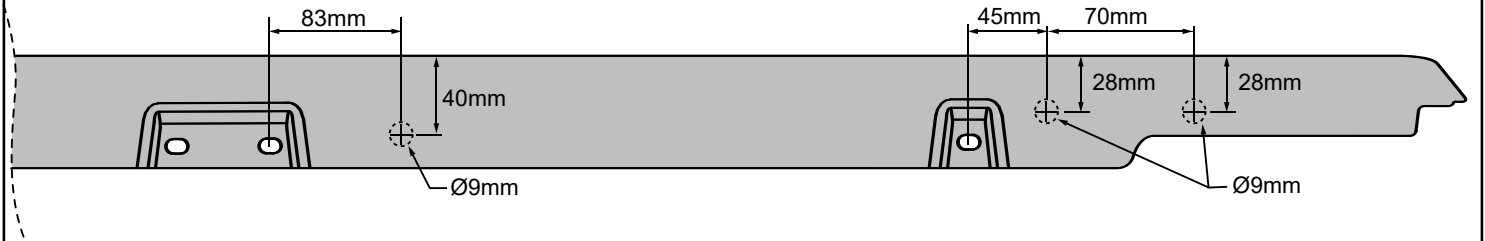
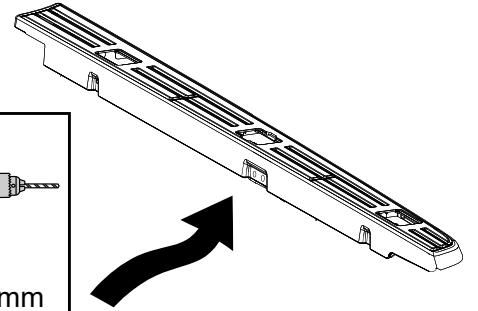
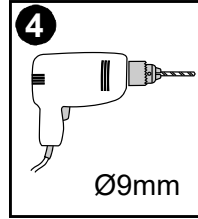
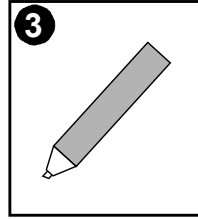
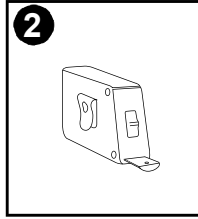
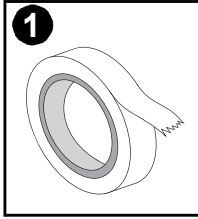
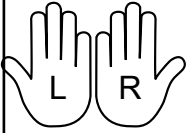
2



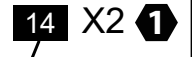
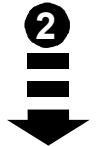
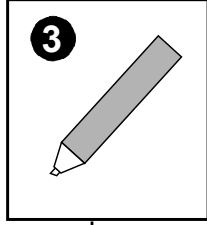
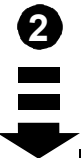
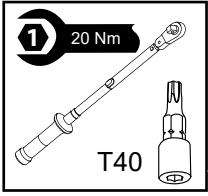
3



4



5

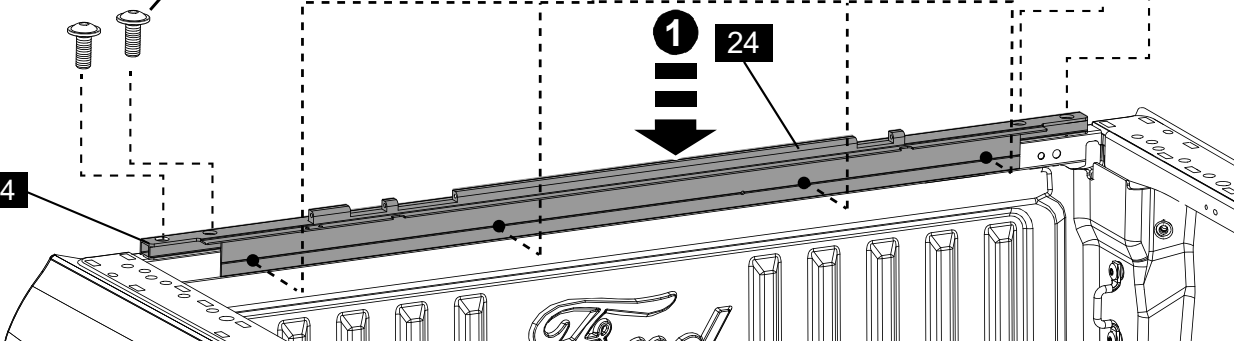


24

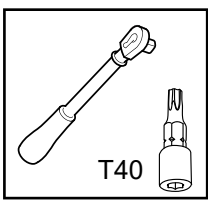
1



24



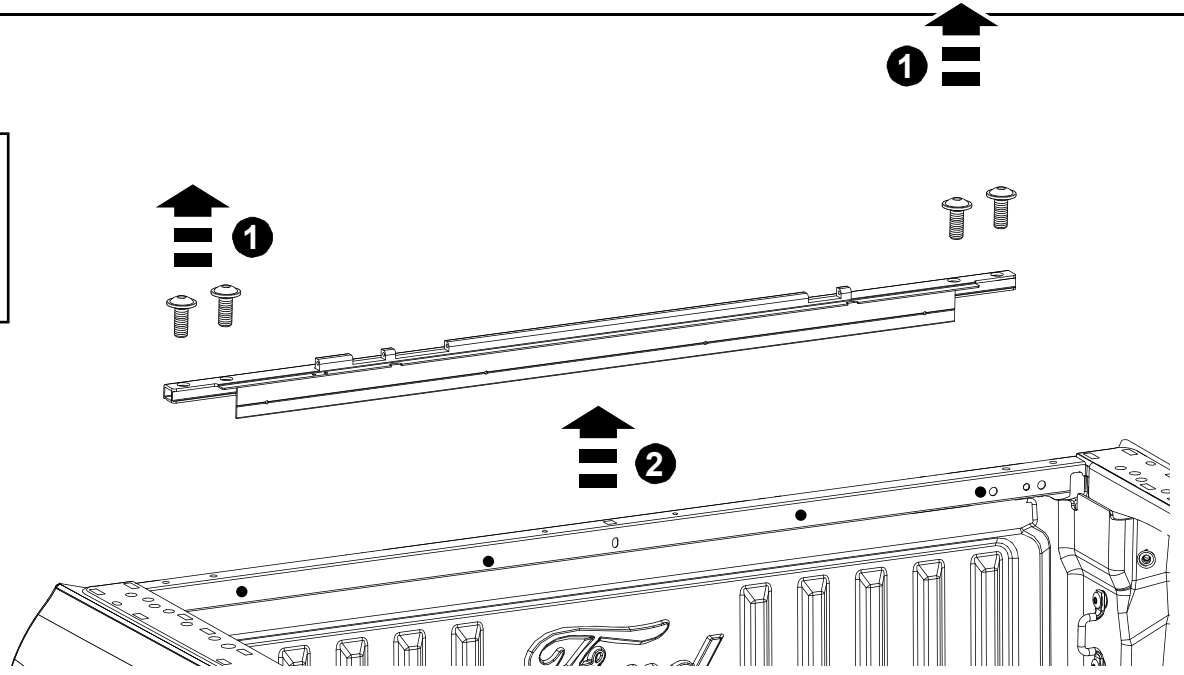
6



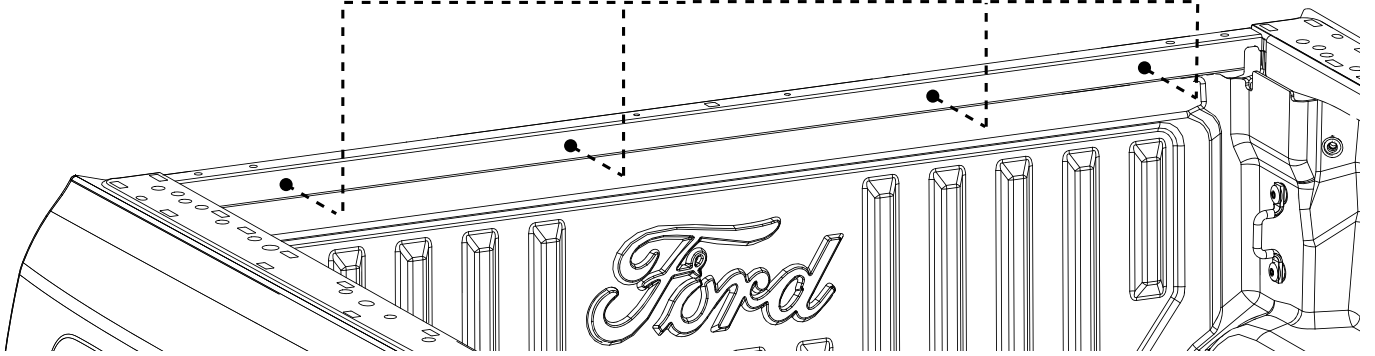
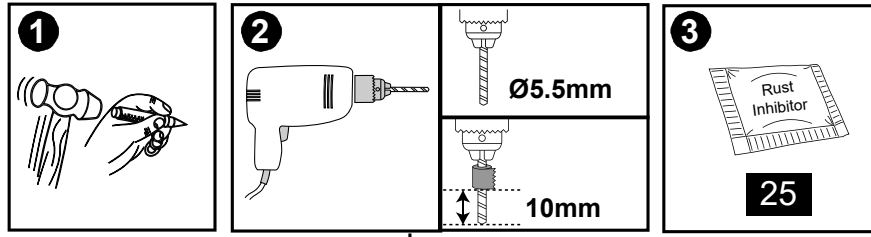
1



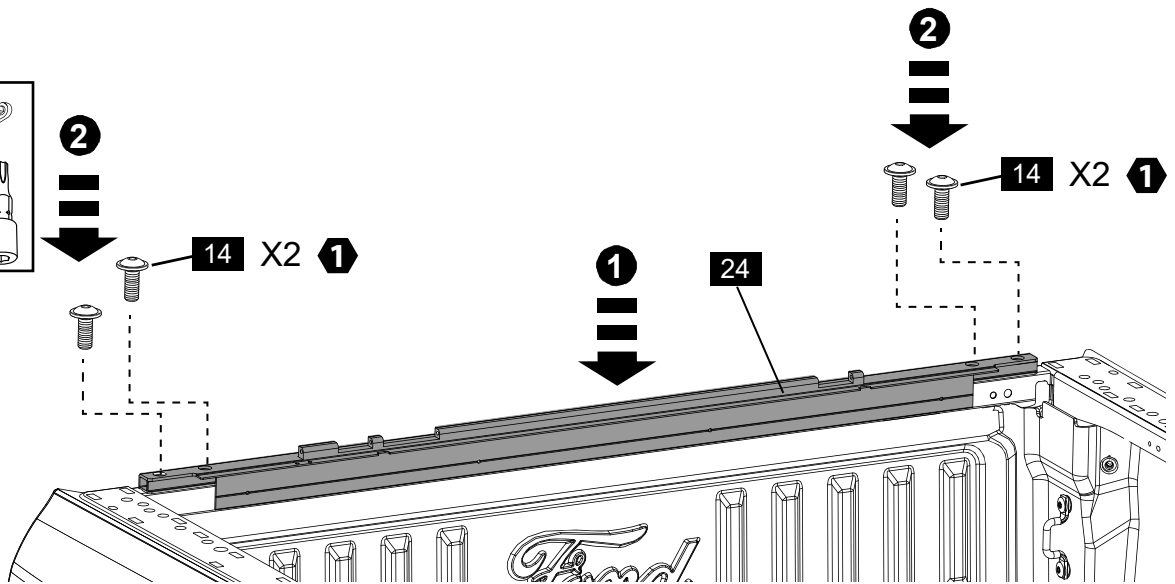
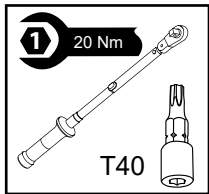
2



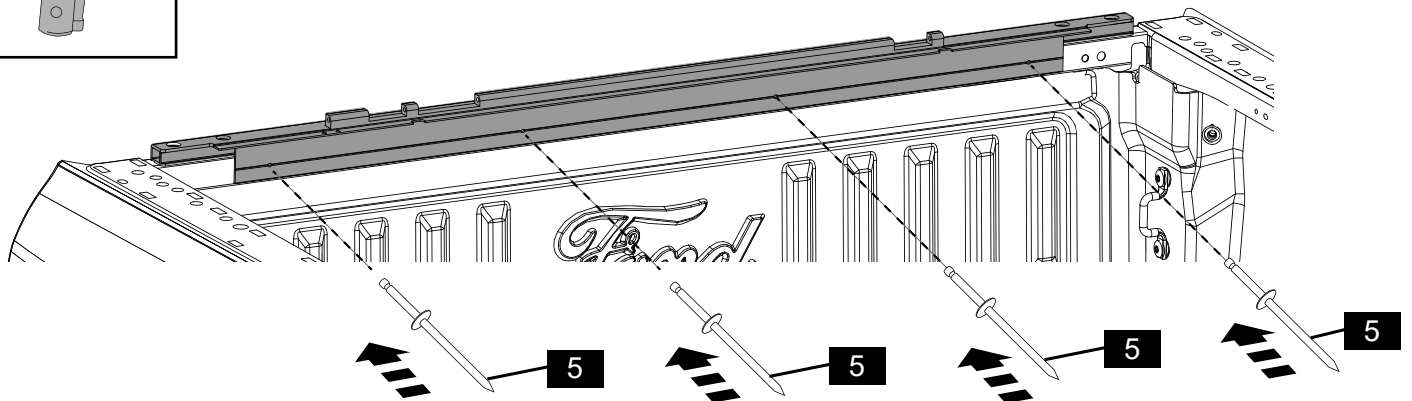
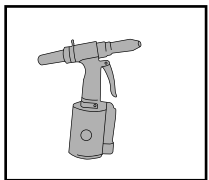
7



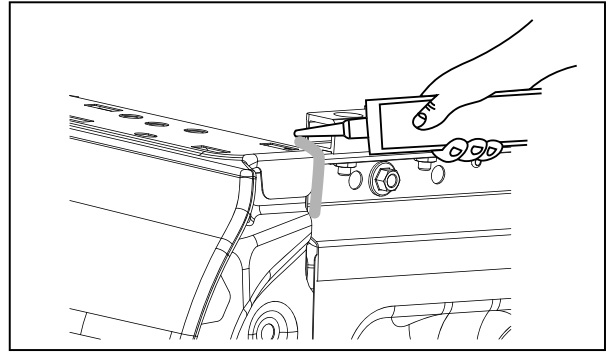
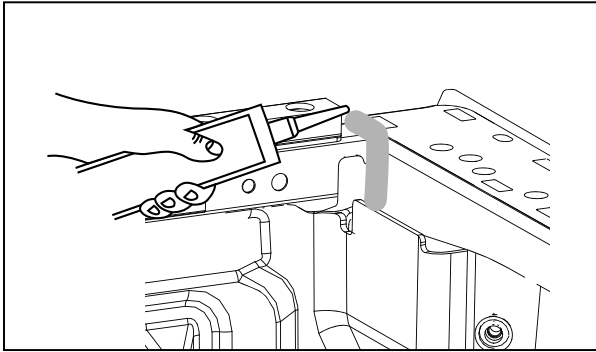
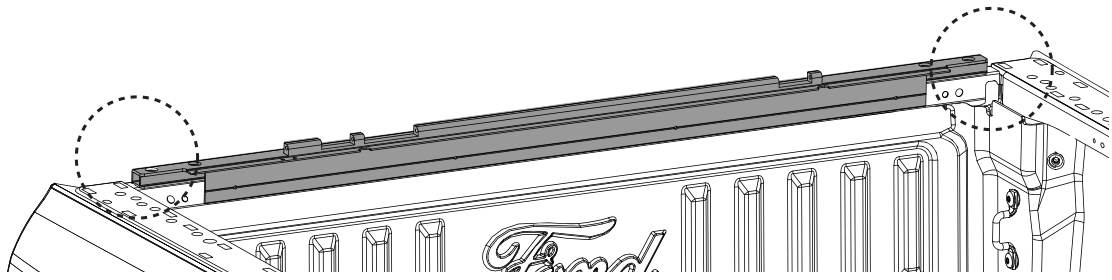
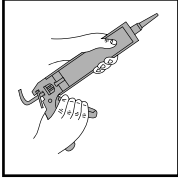
8



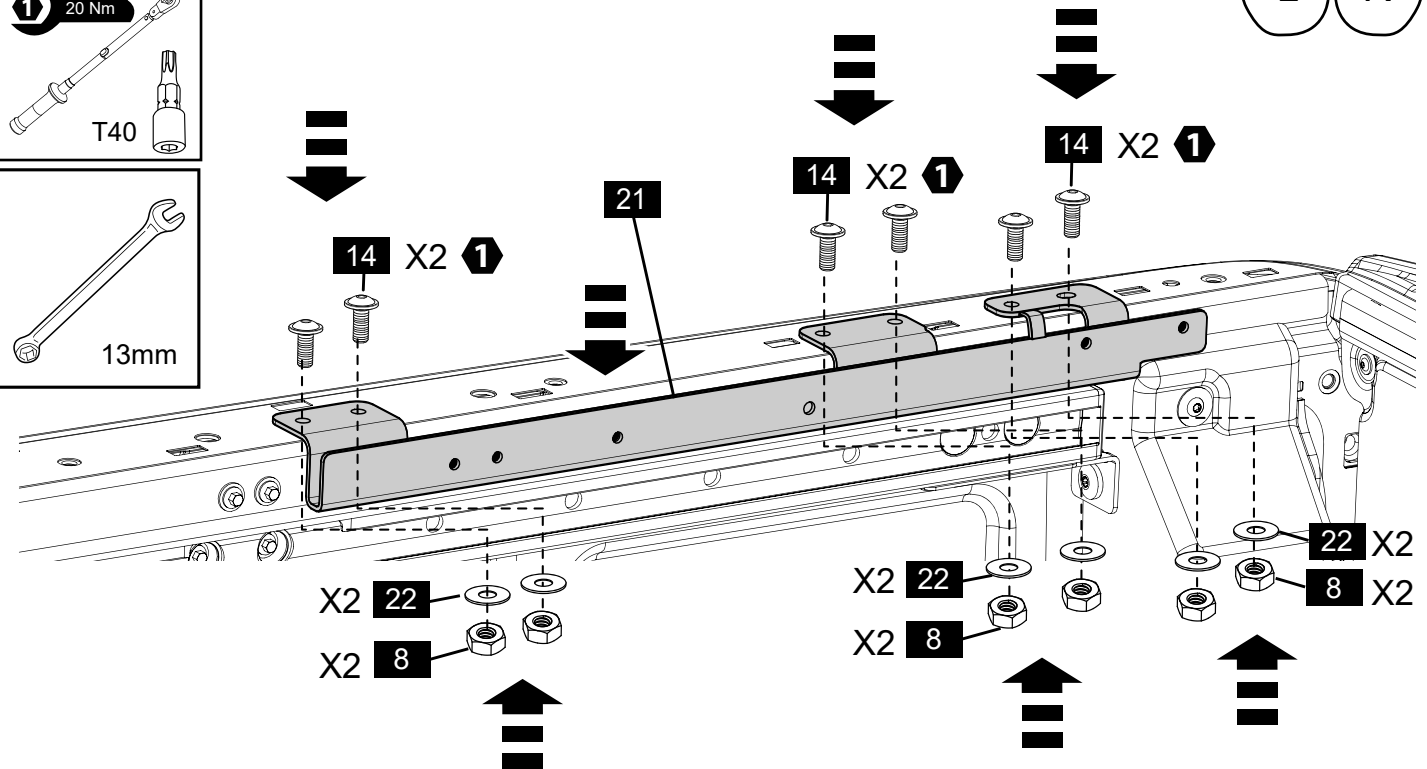
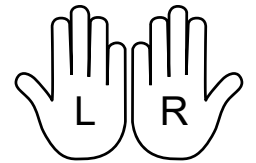
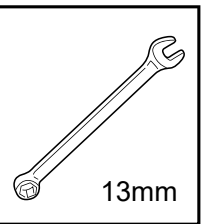
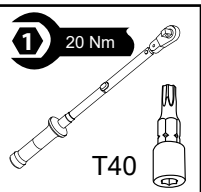
9



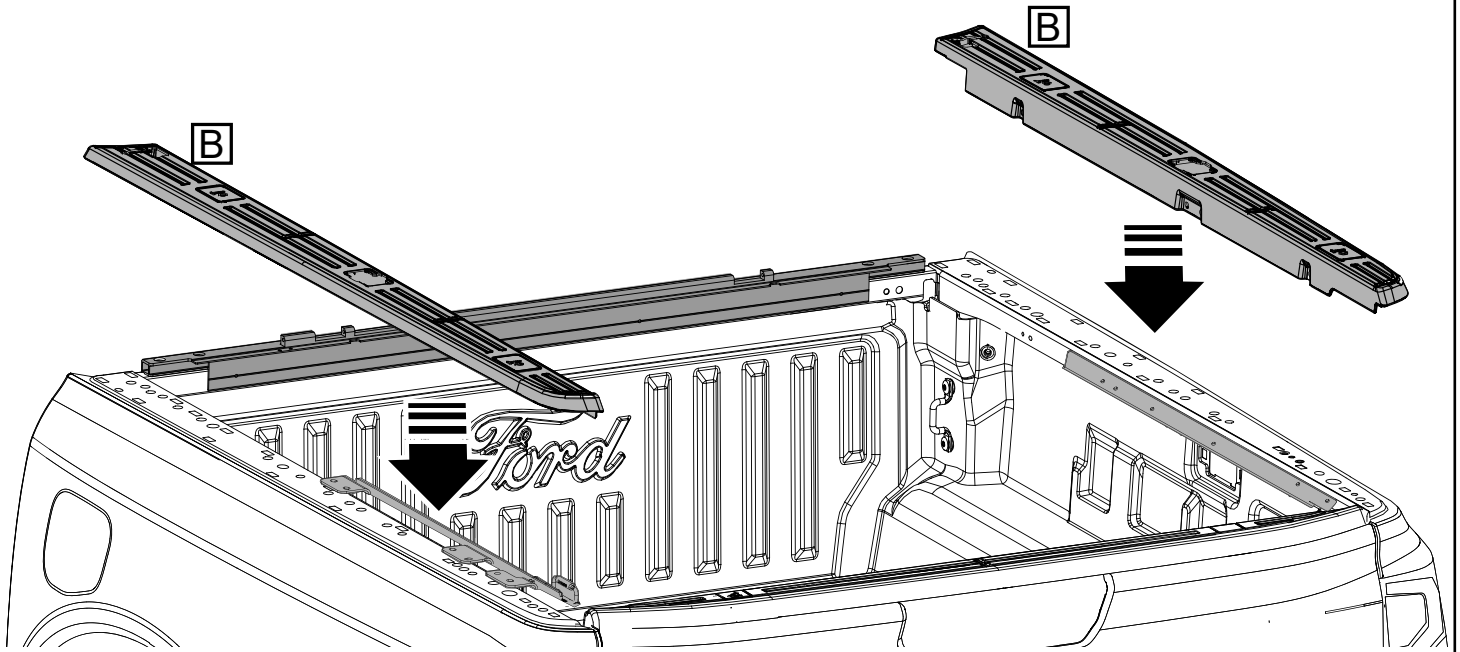
10



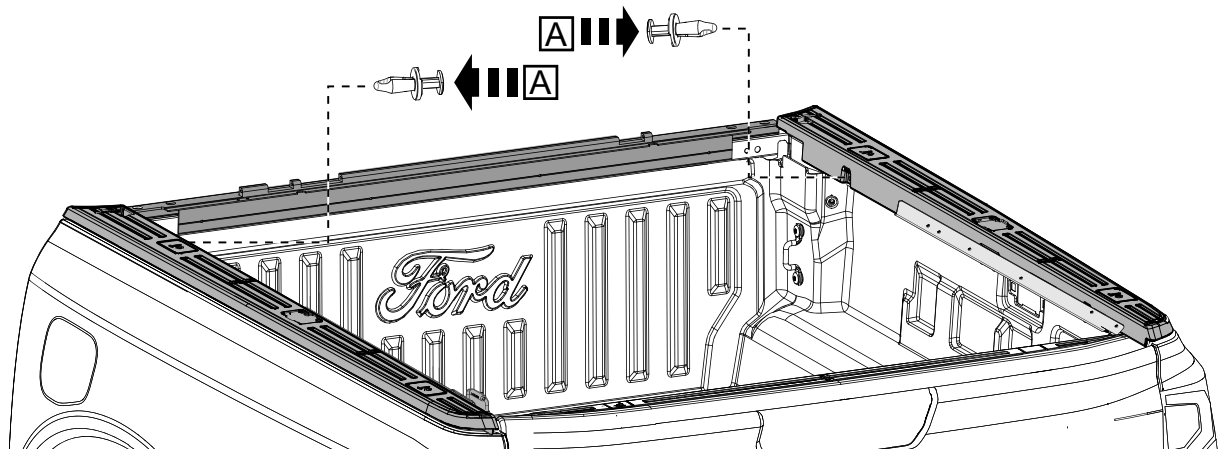
11



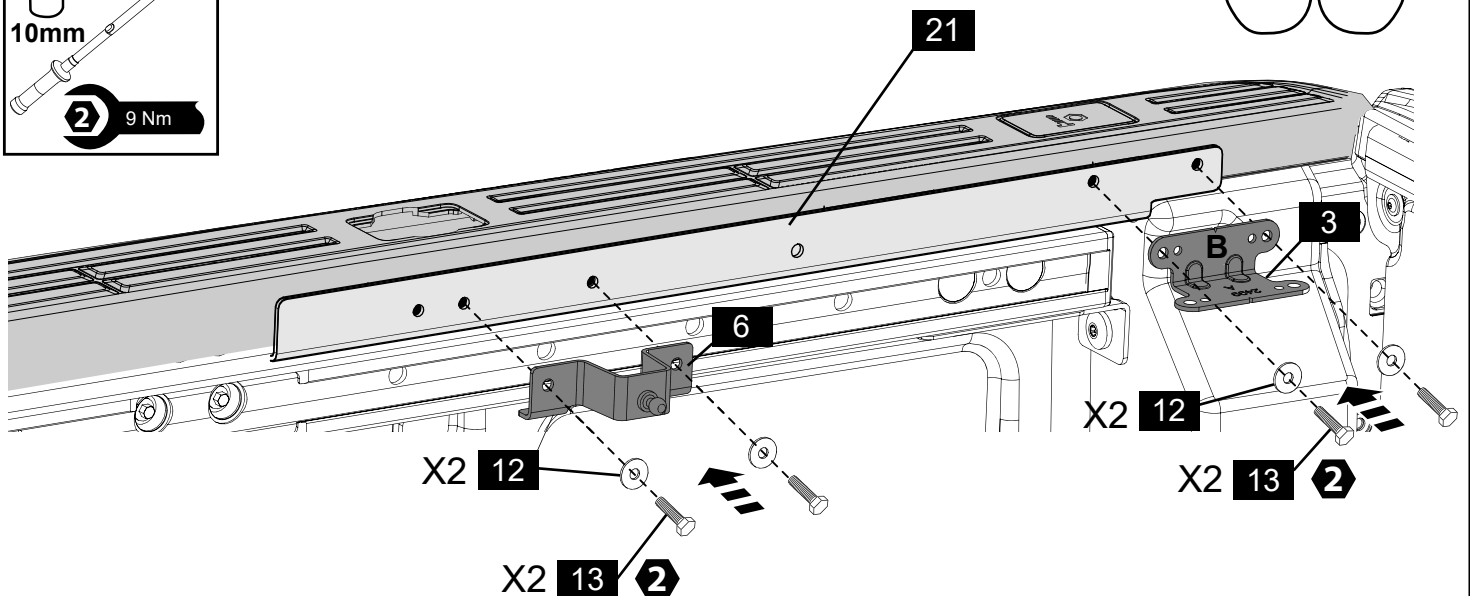
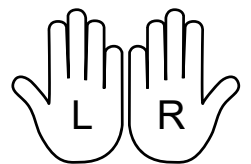
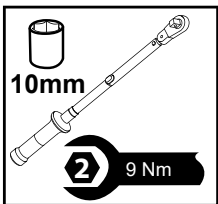
12



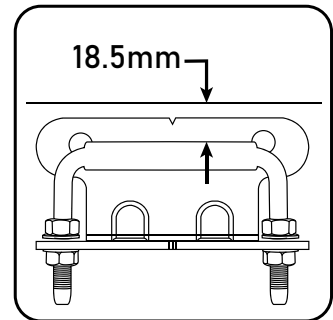
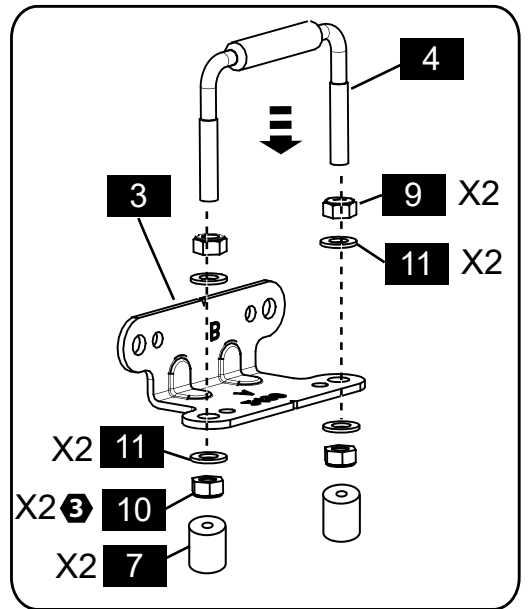
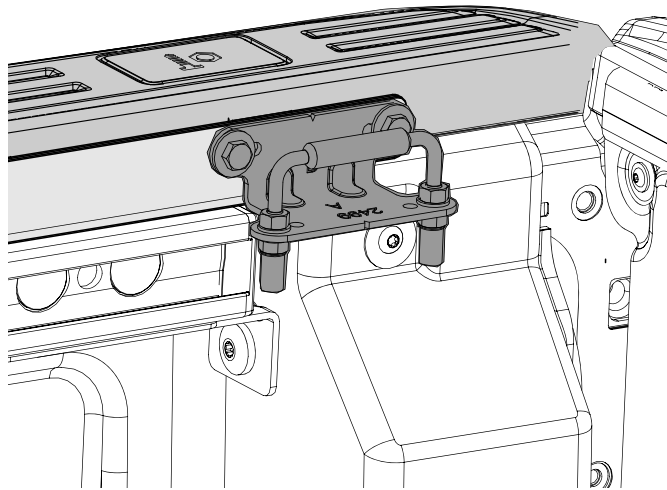
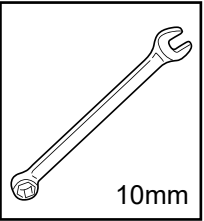
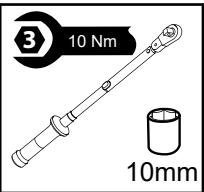
13



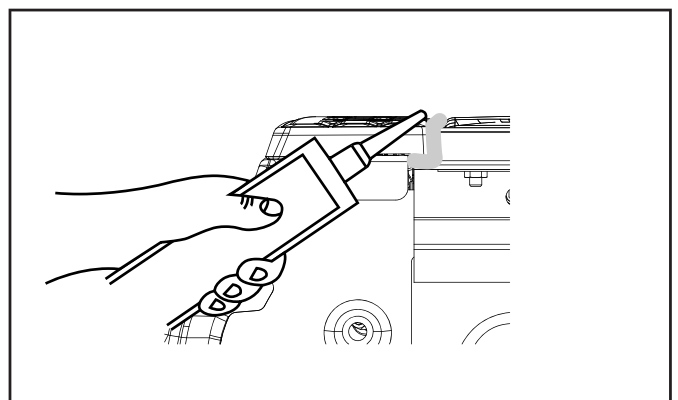
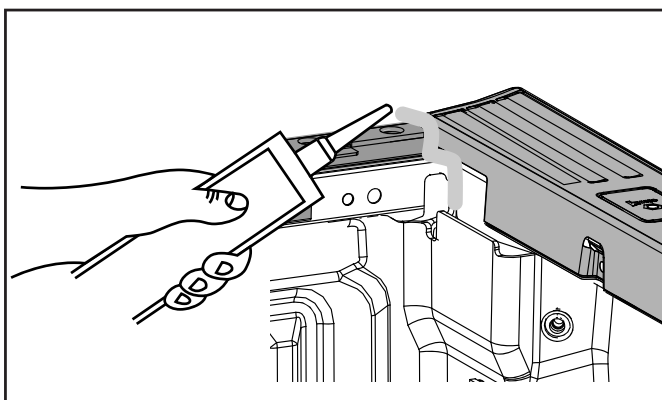
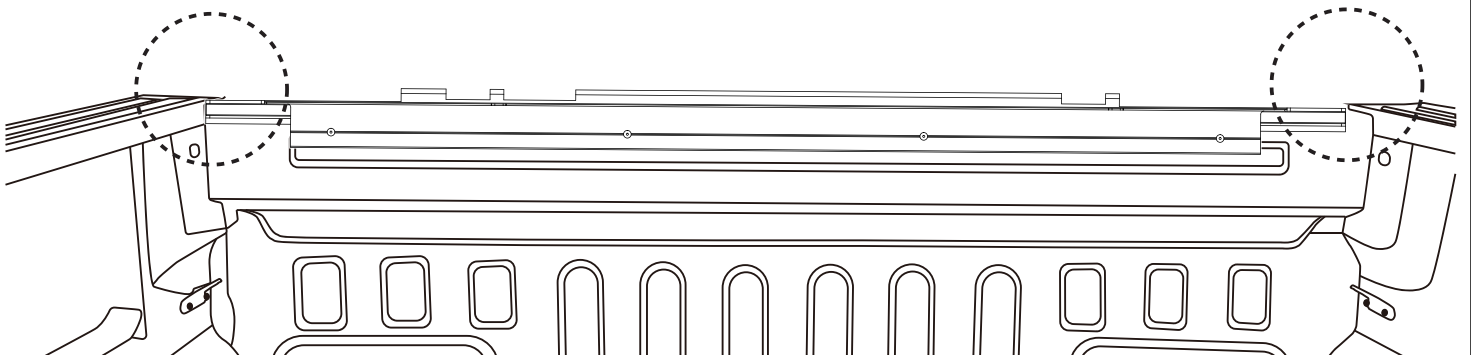
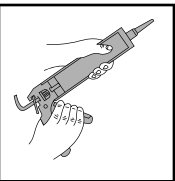
14



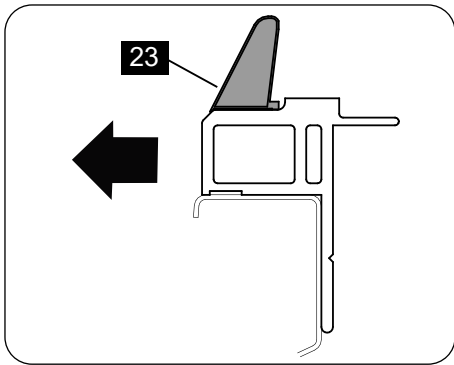
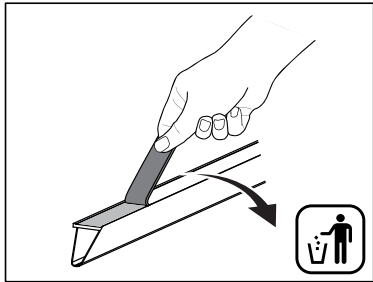
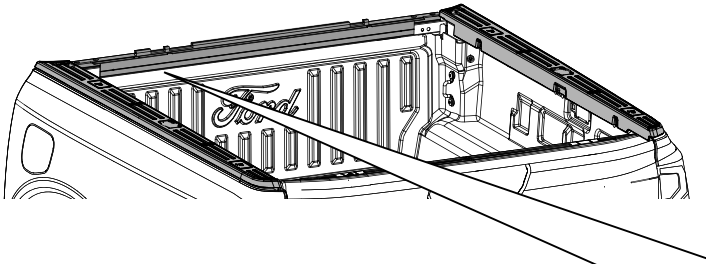
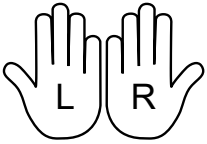
15



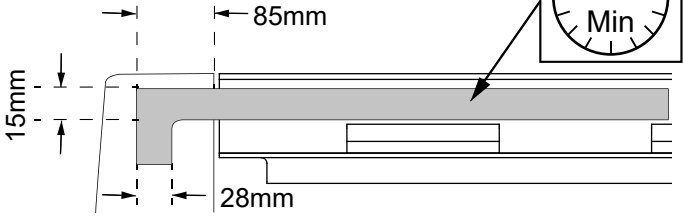
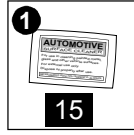
16



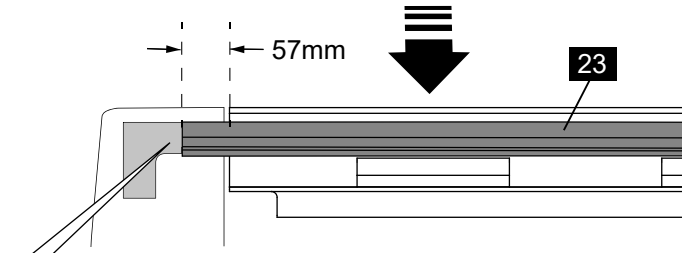
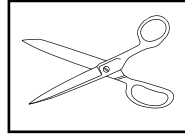
17



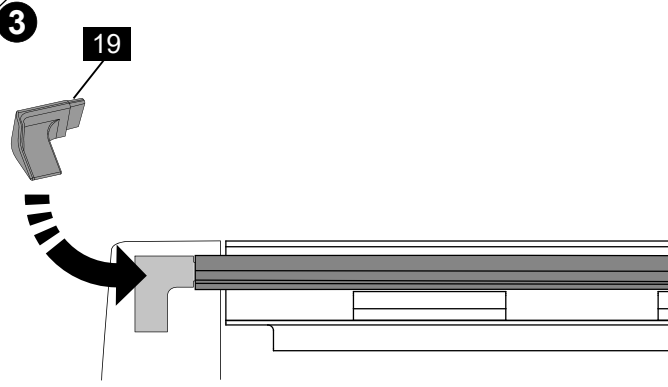
1



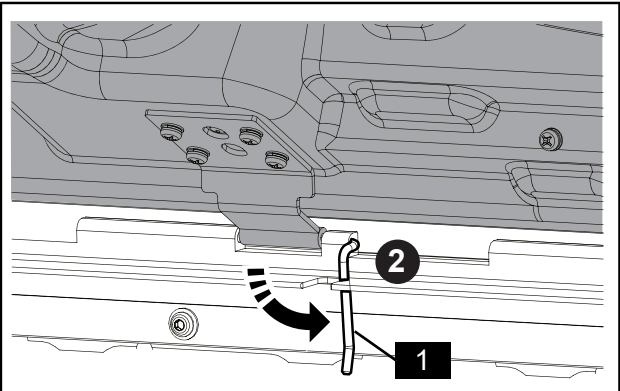
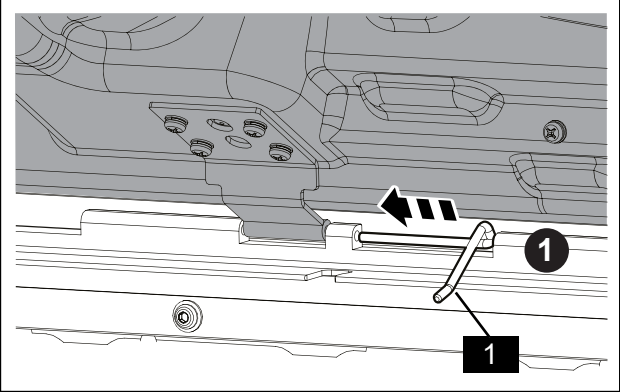
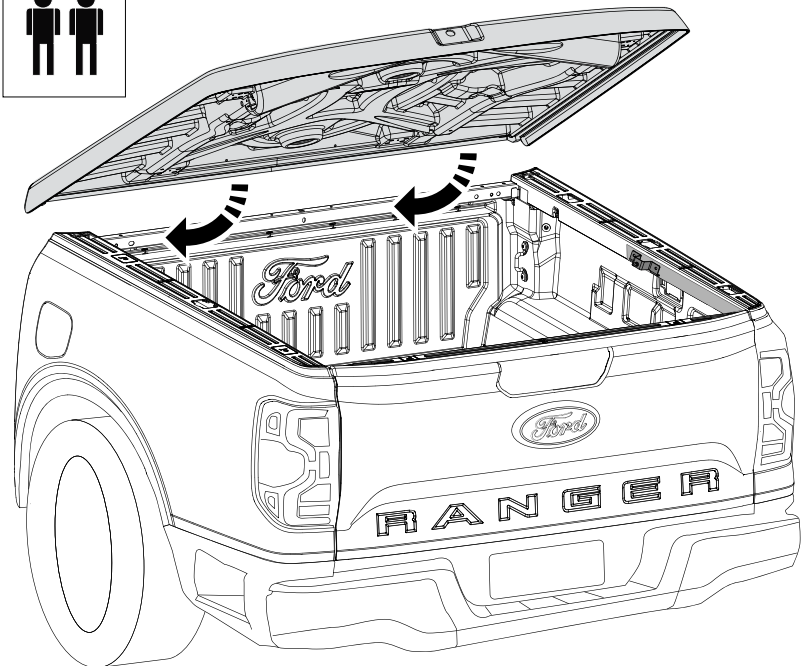
2



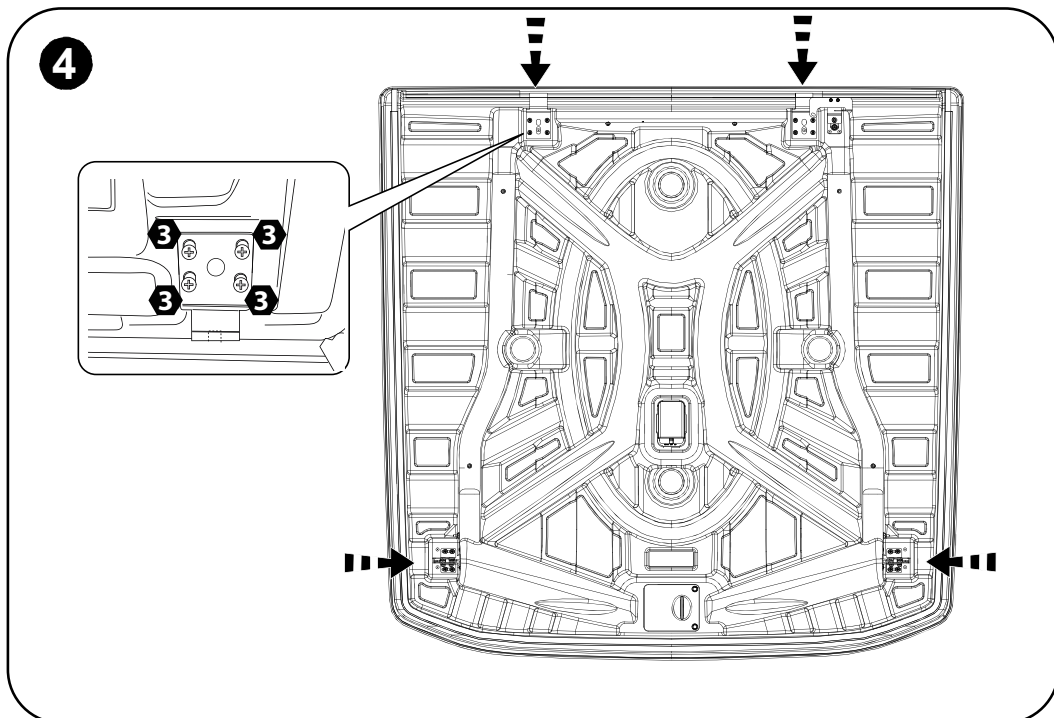
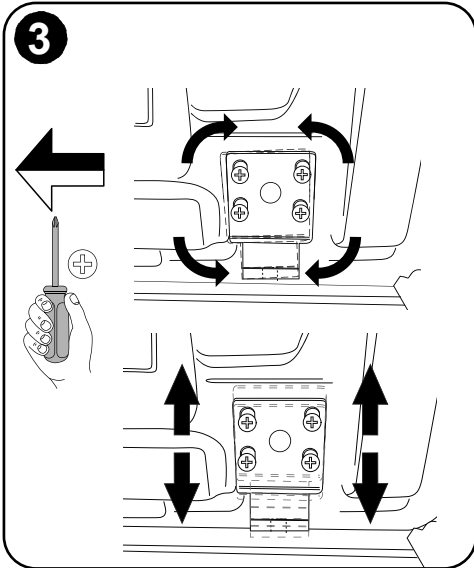
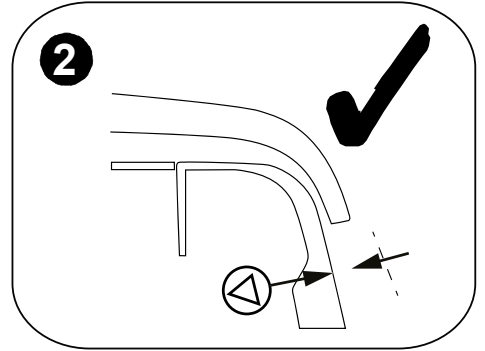
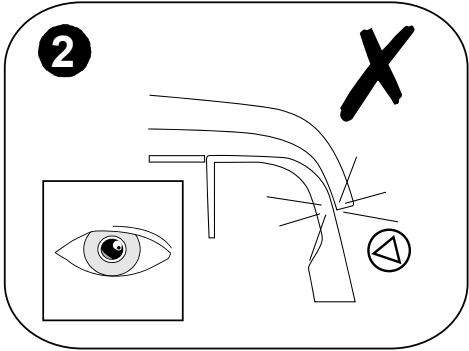
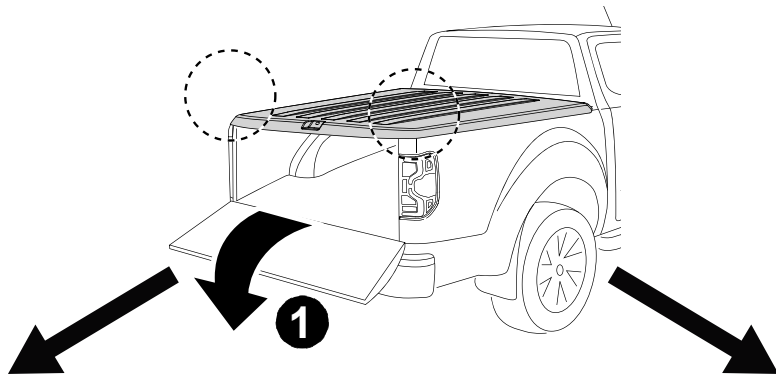
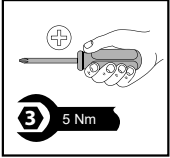
3



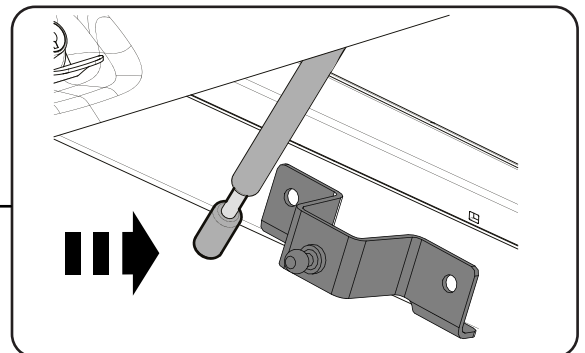
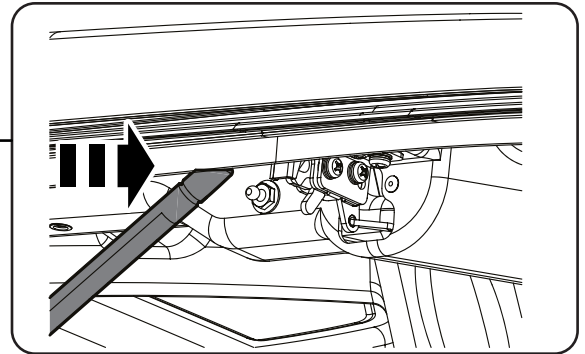
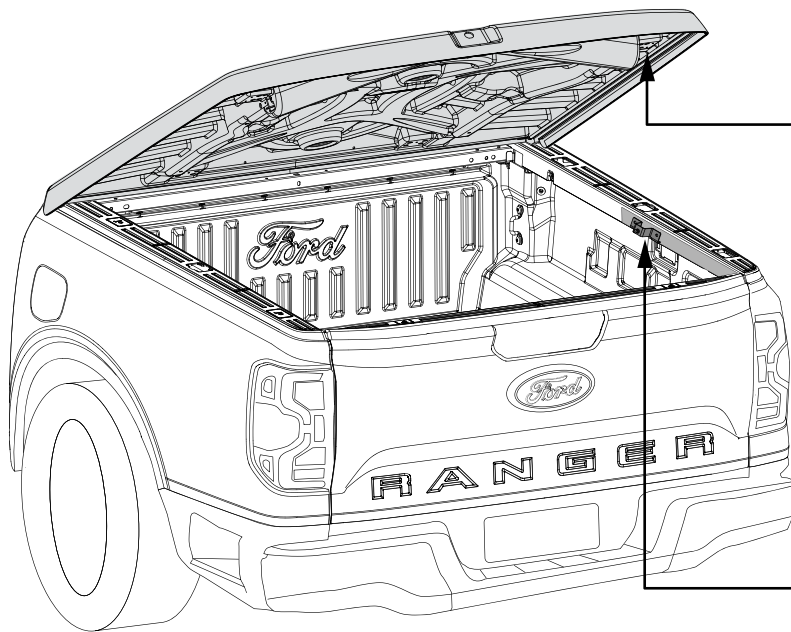
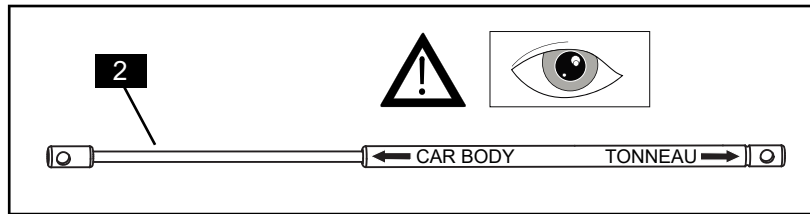
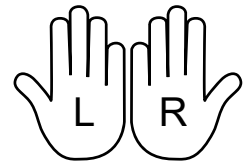
18



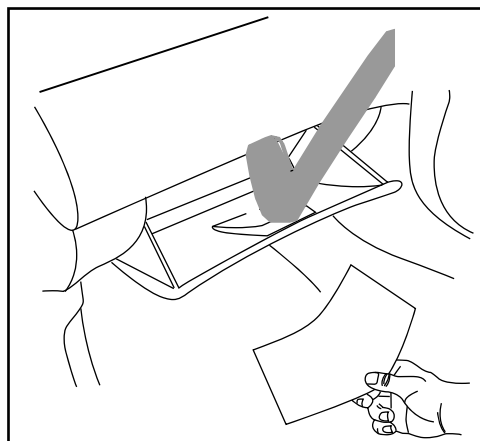
19



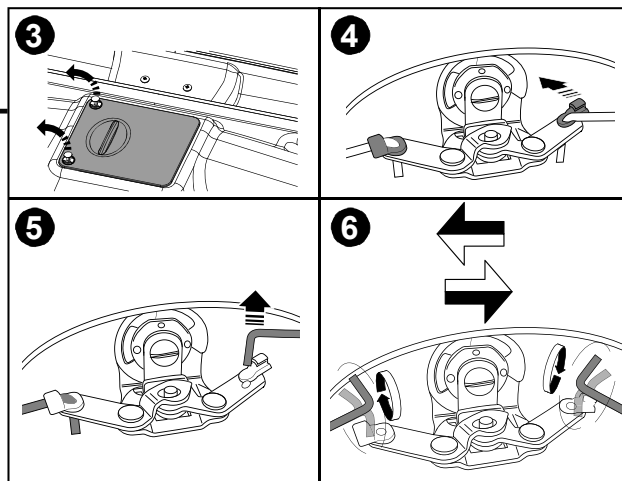
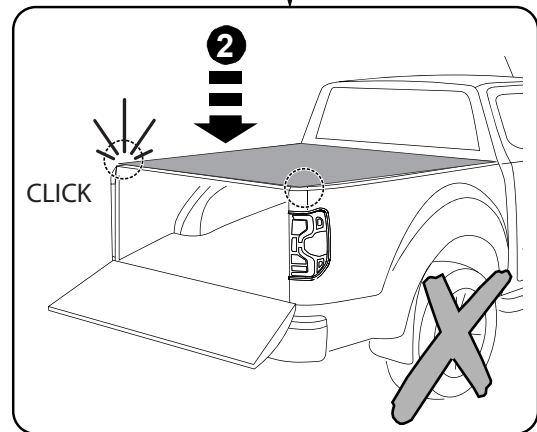
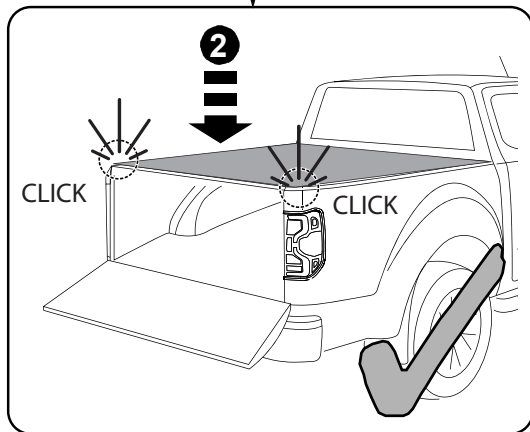
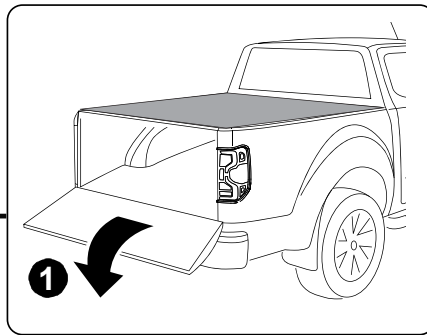
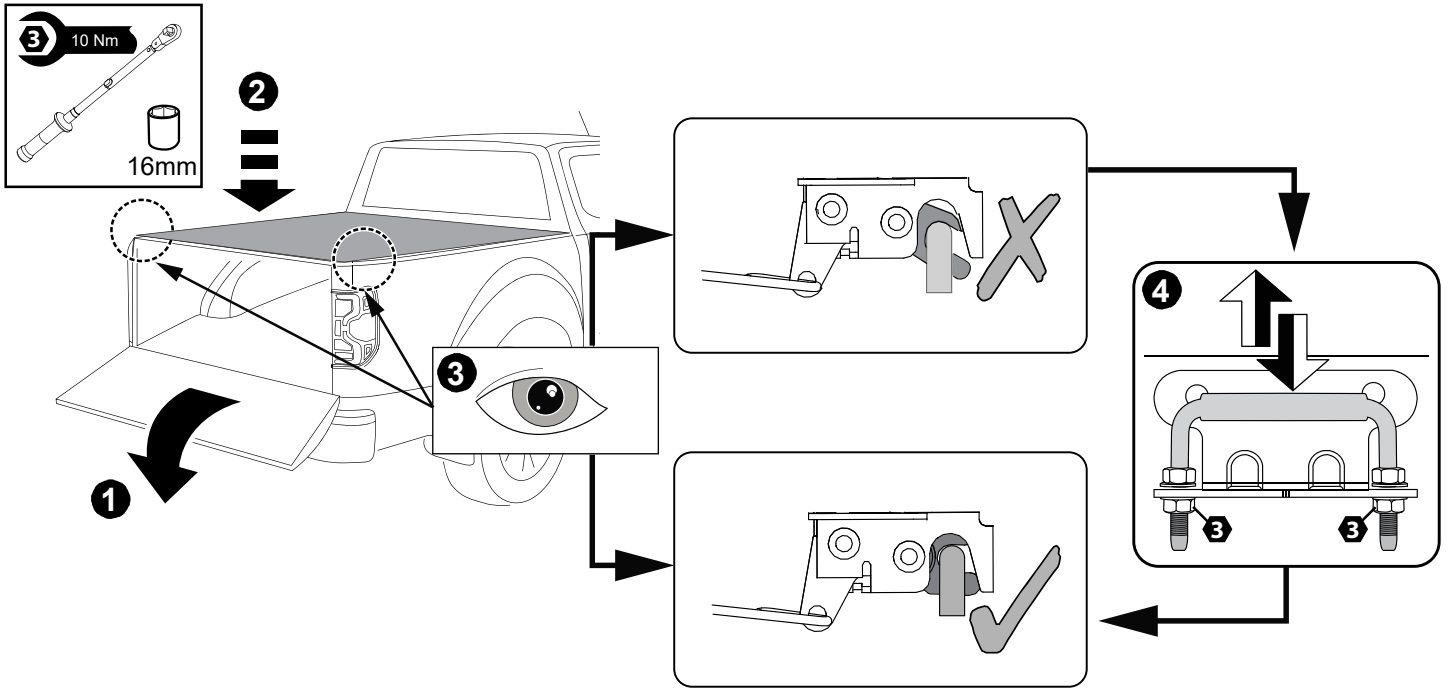
20

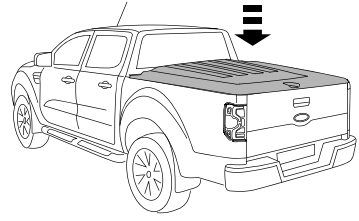
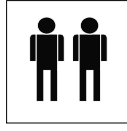
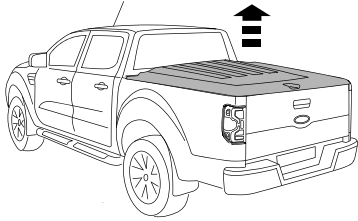


21

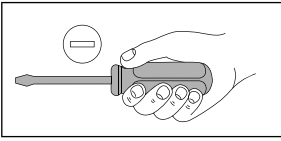


LATCH AND STRIKER ADJUSTMENT GUIDE

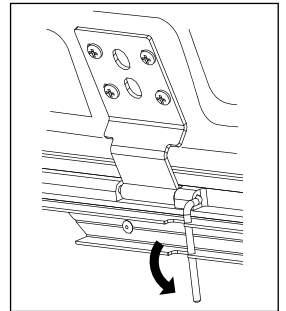
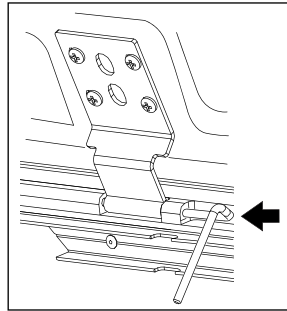
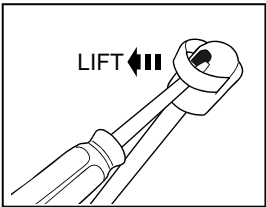
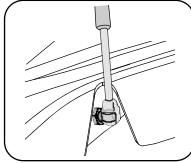
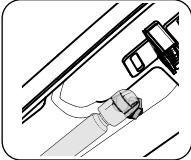
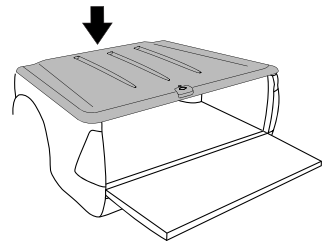




1



1



2

2

