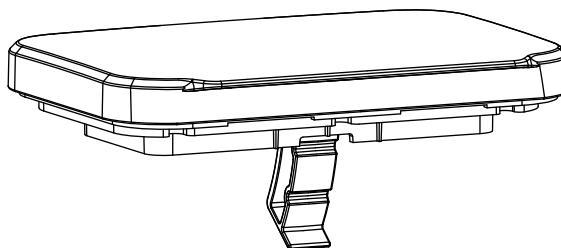


Canopy Roof Vent Installation Instructions



Installation Time: Approx. 30min

Place these instructions in vehicle's glove box after installation is complete

IMPORTANT!

- Read instructions carefully before installation.
- It is strongly recommended that installation is conducted by an authorized dealer.
- This product must be installed exactly as specified in these instructions. Failure to do so may result in improper fit and/or retention.
- You are fitting a product to a Canopy that requires extra care and thought.
- Fitment of this product to the Canopy is the sole responsibility of the customer optioning this product.
- All weather sealing associated with this product is the responsibility of the customer/fitter and EGR will not be responsible for poor fitments resulting in leaking.
- Poor drilling of holes and overall fitment of this item onto an EGR Canopy is the sole responsibility of the customer/fitter.



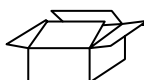
**THE ROOF VENT CAN BE INSTALLED ON EITHER
THE RHS OR LHS OF THE CANOPY ROOF**



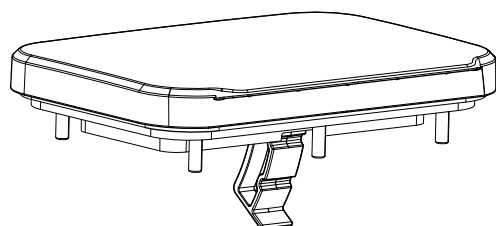
RECOMMENDED TOOL LIST - (Not Supplied in Kit)

- Drill & Drill Bits \varnothing 6mm, \varnothing 10mm
- Jig Saw
- Nonpermanent Marker
- Torque Wrench 0-20Nm
- Spanner 8mm
- Masking Tape

PARTS CHECK SHEET



PARTS IN MAIN CARTON



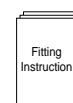
Roof Vent
Qty - 1



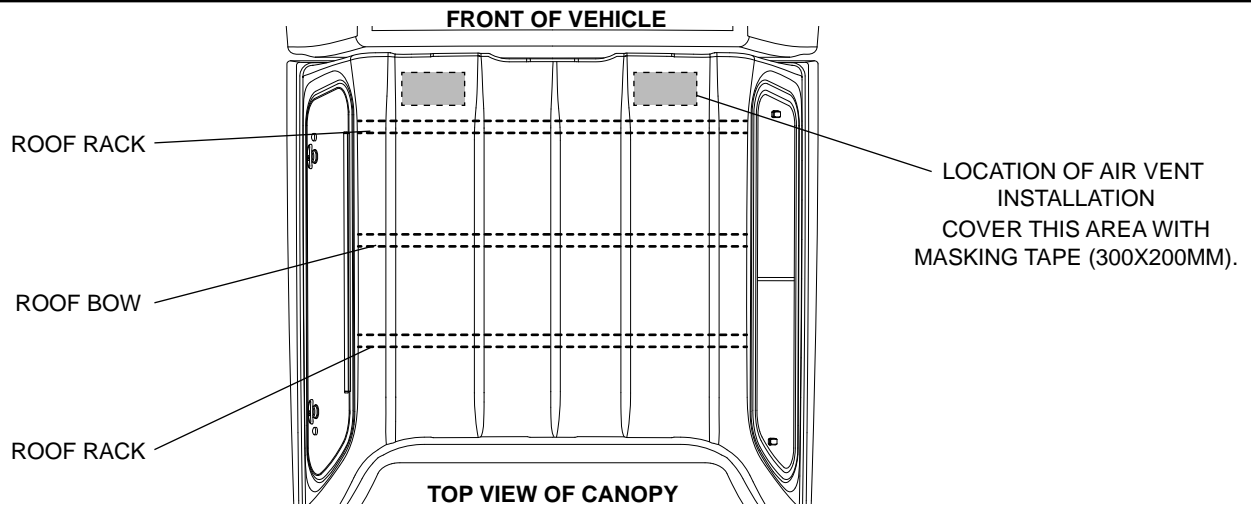
M5 Nylock
Nut
Qty - 6



M5 Flat
Washer
Qty - 6



Fitting
Instruction
Qty - 1



Position the roof vent on the canopy shell using the guide on page 4&5 according to the vehicle model. Select LHS or RHS installation position. Cover the area with masking tape to protect paint.

Note: For Mitsubishi Triton MQ 2015 and Toyota Hilux A&J deck 2015 vehicle model, locate scribe mark on inside of canopy shell for air vent location. Select LHS or RHS position and follow instructions from step 4 onwards.

FIG. 1

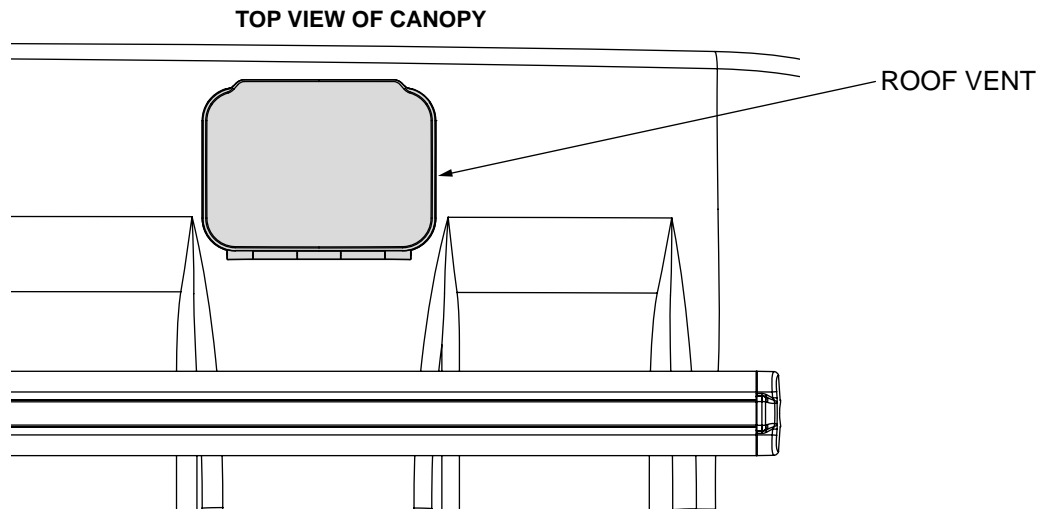
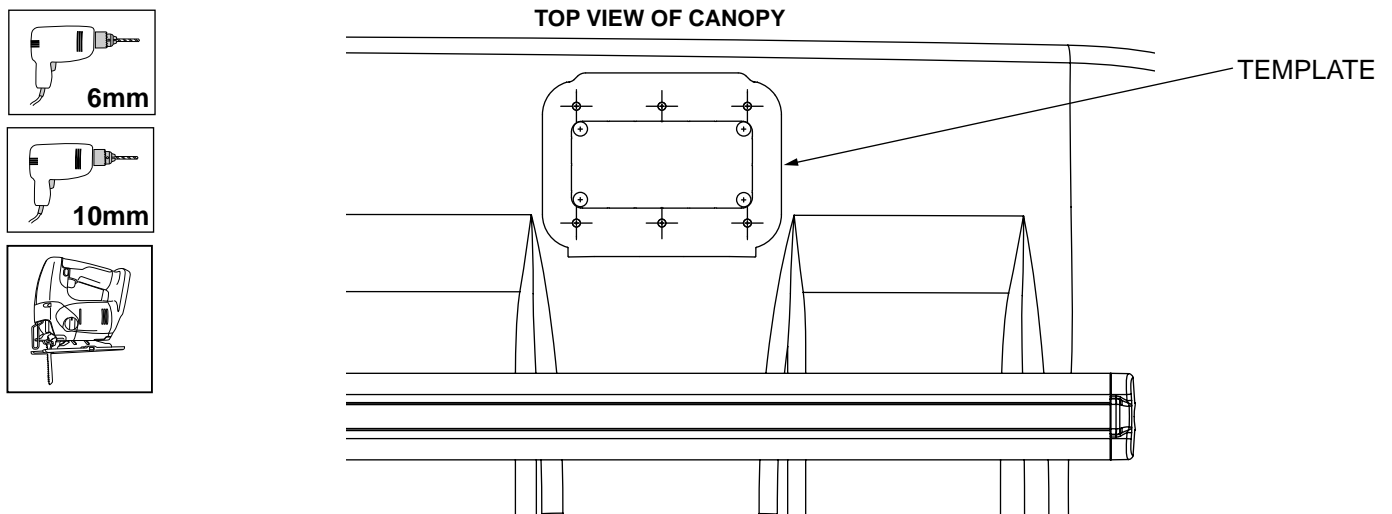
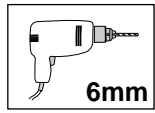


FIG. 2 Mark the roof vent position using a nonpermanent pen.

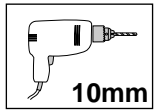


Place the roof vent template from page 6, in the previously marked position and secure with masking tape. Mark all the 10 hole locations in the canopy. Remove the template.

FIG. 3



6mm



10mm

TOP VIEW OF CANOPY

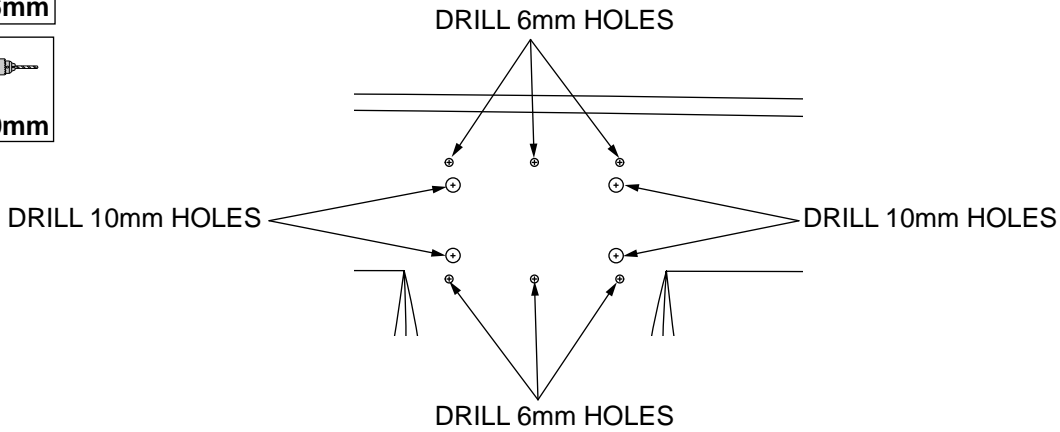
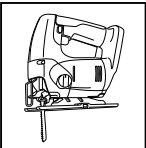


FIG. 4

Drill the (6) holes on the outside perimeter with 6mm drill bit. Drill the (4) large holes with 10mm drill bit.



TOP VIEW OF CANOPY

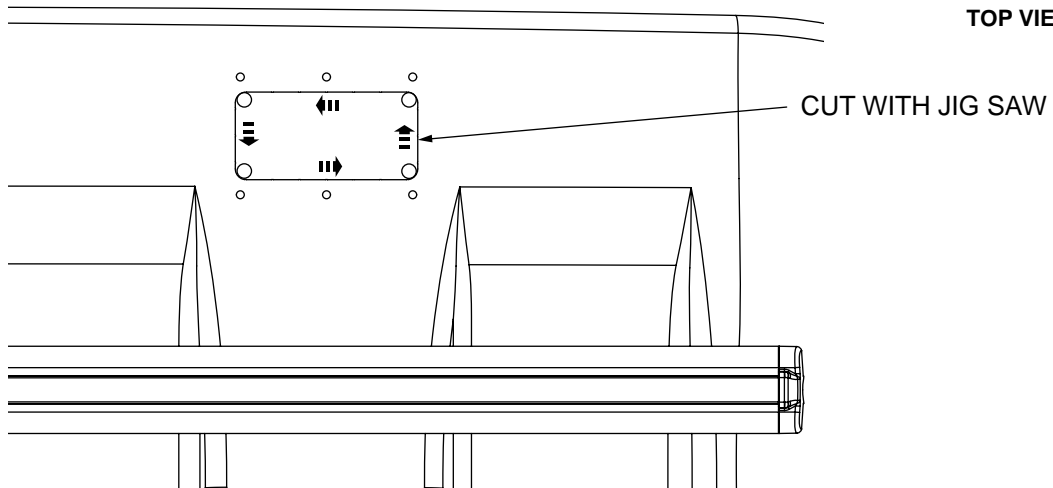
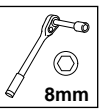


FIG. 5

Using jig saw cut straight lines between the four large holes to create the vent opening in the canopy. Clean the swarf from the cut out and deburr drilled holes. Check the vent fitment and enlarge the opening if necessary.



8mm



5Nm

TOP VIEW OF CANOPY

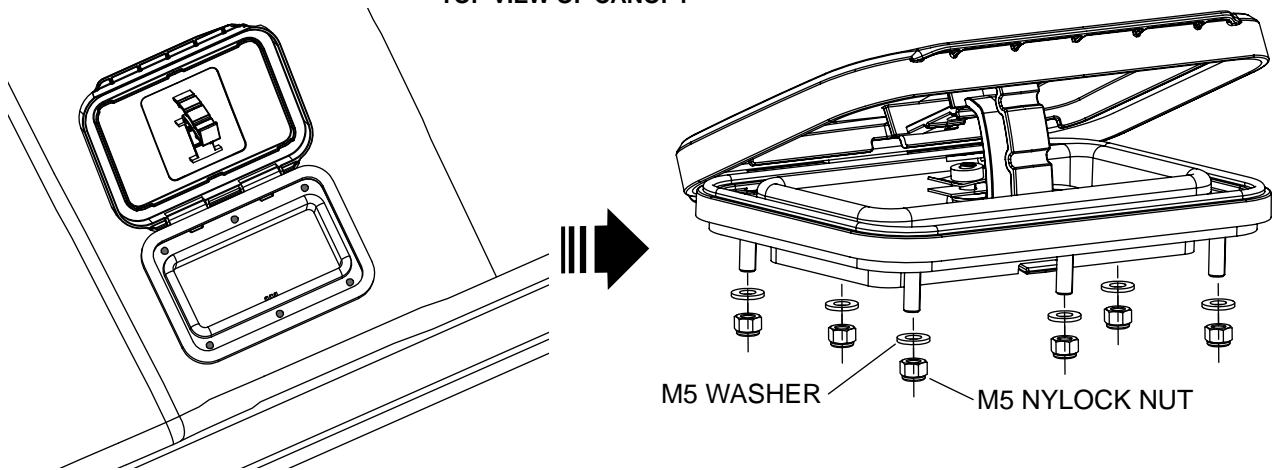
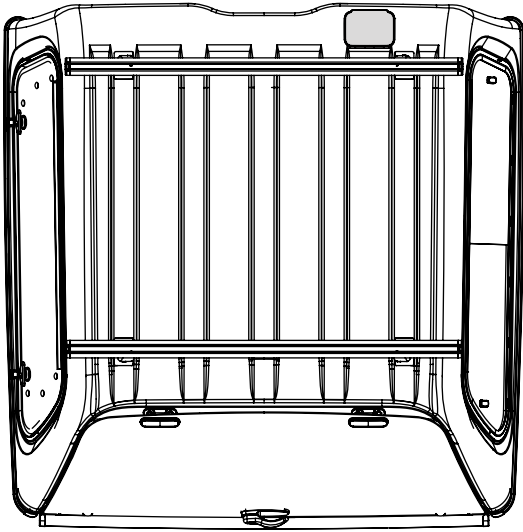


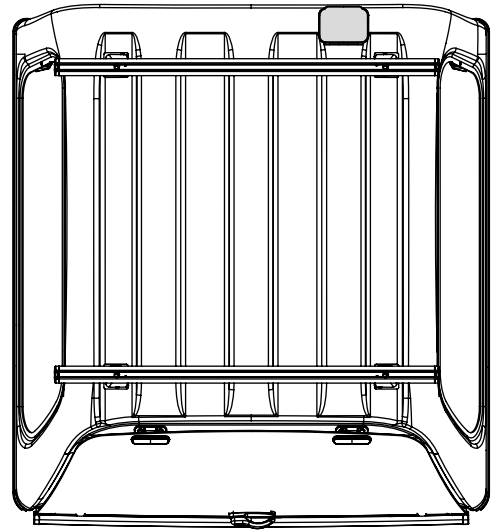
FIG. 6

Fit the vent to the canopy and secure with the (6) M5 flat washers & M5 Nylock nuts. Tighten the M5 Nylock nuts to torque 3Nm.

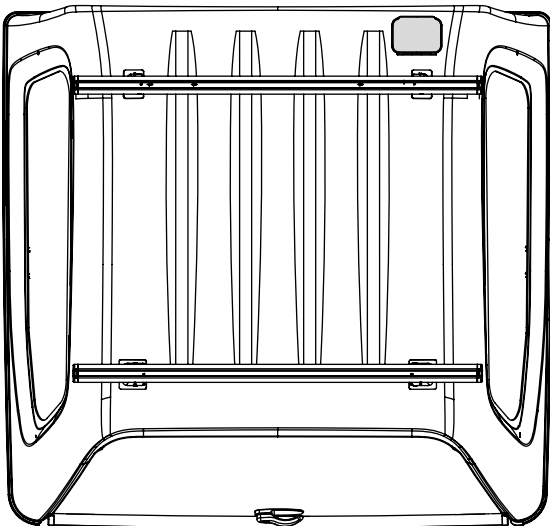
FORD PX RANGER 2012-
MAZDA BT50 2012-



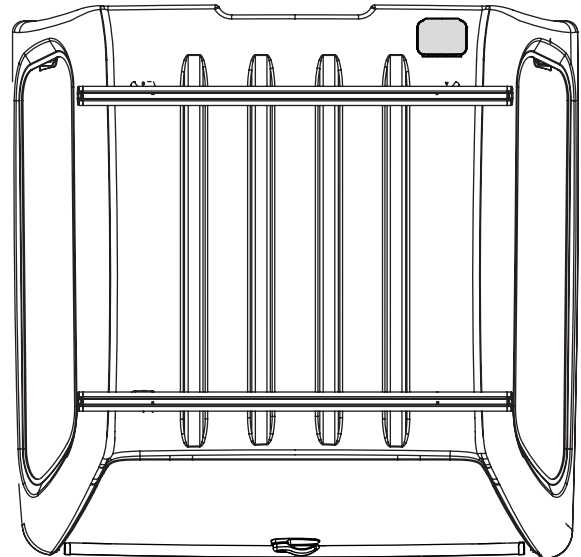
MITSUBISHI TRITON MN 2008-2014



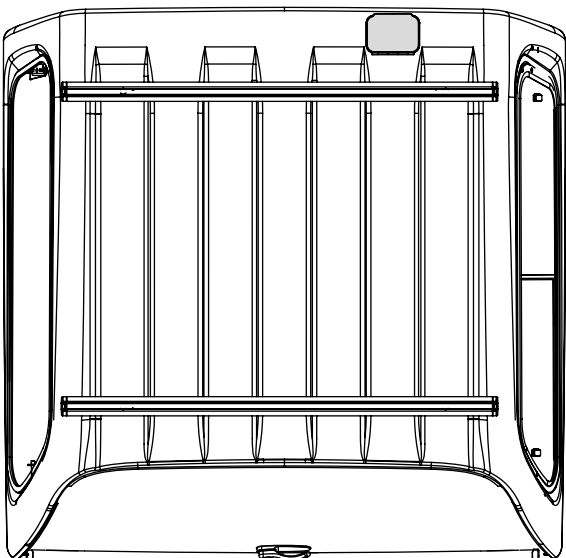
HOLDEN RG COLORADO 2012-



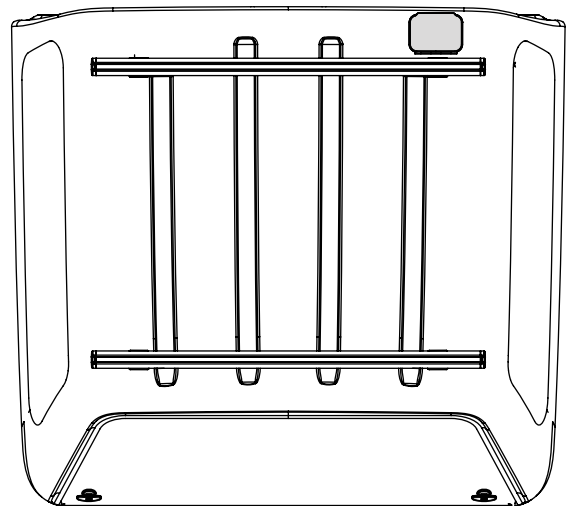
ISUZU UTE D-MAX 2012-



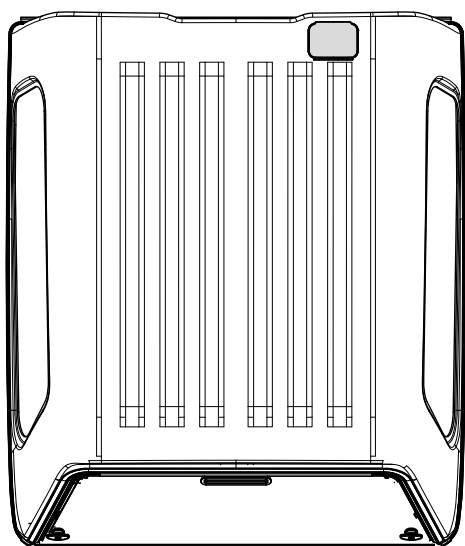
NISSAN NAVARA D40 2005-2014



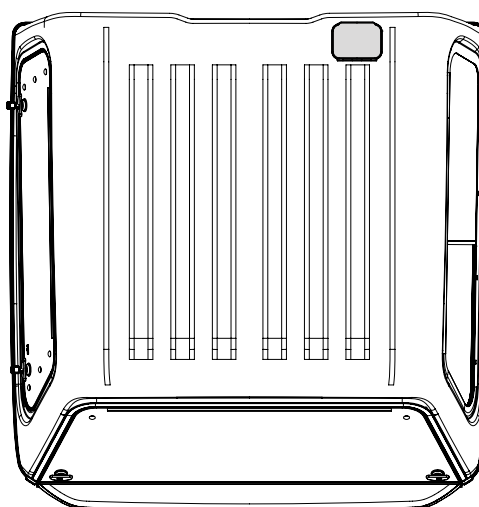
VW AMAROK



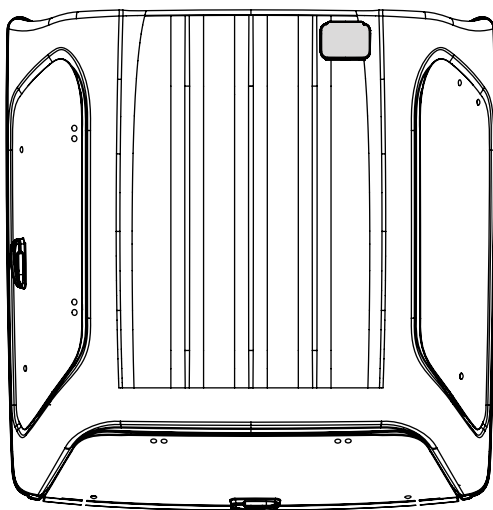
NISSAN NAVARA TRADESMAN D23 2015



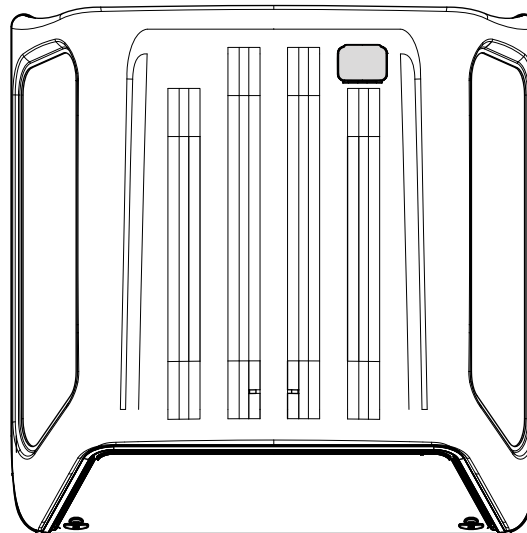
NISSAN NAVARA ADVENTURER D23 2015



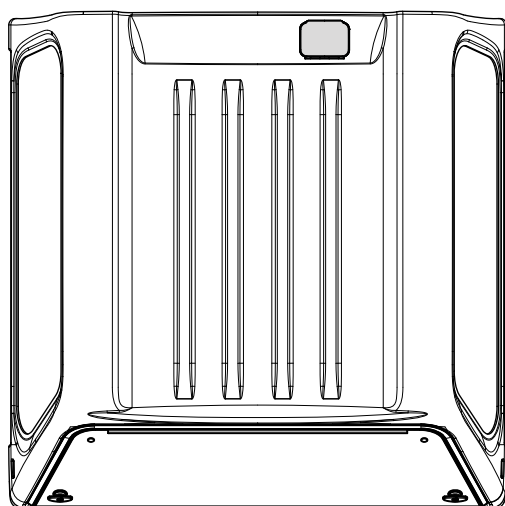
TOYOTA HILUX A-DECK 2015



TOYOTA HILUX J-DECK 2015



MITSUBISHI TRITON MQ 2015



CANOPY ROOF VENT TEMPLATE

 **CHECK THE PRINTED TEMPLATE USING RULER.
ADJUST SCALE USING A PHOTOCOPYING MACHINE
AND REPRINT.** 

